



## SHEER SHADINGS COLLECTION

### January 2023 Product Reference & Price Guide

Prices subject to change without notice.

## SHEER SHADINGS FEATURES & BENEFITS

- Horizontal fabric vanes float between two layers of soft, knitted fabric sheers, to soften your view outside with a choice of fabrics.
- All Sheer fabric vane colors are featured between two layers of sheer fabric.
- Available to widths of 120" and drops to 120" to provide visual elegance to the widest of windows.
- Vanes glide from open to closed to "out of sight" with elegant hardware.
- Four distinctly different variations of vane positions are available for numerous combinations of privacy, view and light control.
- An adjustable weight system in the bottomrail allows for on-the-spot skew adjustment for a balance appearance in the window.
- One headrail style to maintain your sophisticated look. Headrail has color coordinated fabric insert and end caps.
- Low side light gap provides minimal light leakage on shading sides and above the headrail for increased privacy.
- Easy to install hardware and brackets allows for effortless installations and easy removal for cleaning.
- May be ultrasonically or traditionally cleaned to stay bright and beautiful.
- Lifetime Limited Warranty as a commitment to your satisfaction.
- Sheer fabrics may be processed with a topical treatment to resist flames and to adhere to strict flammability codes. For more information, contact your fabricator.

Sheer Shadings Features & Benefits.....	2
Price Grids.....	3-11
AMP™ Motorized Sheer Shades.....	14
Sheer Shadings Product Specifications.....	13-14
Design & Operation.....	15-16
Measuring Instructions.....	17
Child Safety & Caring for Shades.....	18
Lifetime Limited Warranty.....	19

## TERMS OF SALE & FREIGHT CHARGES

### PRICE QUOTATION

All prices subject to change without notice.

To ensure order accuracy, please use the Sheer Shadings order form. The blank order form can be found at the back of the price book. Make copies to create additional blank order forms. Email orders to [sales@oxford-house.com](mailto:sales@oxford-house.com) or fax to 765-884-3274

### CANCELLATION OR CHANGE ORDER

IMPORTANT! Due to the custom nature of our products, we cannot accept changes or cancellations after orders have been put into production.

### ORDER TRACKING & ORDER STATUS

Order confirmations are sent via email within 24 hours of placing order. Please make sure you have your email on file with Turnils. To track your order or check the status of your order, please contact [customerservice@oxford-house.com](mailto:customerservice@oxford-house.com) and provide them with the work order number.

### STANDARD SHIPPING & HANDLING, DELIVERY & FREIGHT POLICIES

\$8.50 for each shade

\$25.00 minimum charge per shipment

Midsize (60" Up to 88") additional \$40.00 per order.

Oversize (88" up to 105") additional \$150 per order.

Common Carrier/Freight shipments of 105" or over \$290.00 per order

For express shipment, shipment to Alaska, Hawaii and foreign countries, freight will be quoted separately. Freight collect orders and using a preferred carrier is optional. Next Day, 2nd Day Air and 3 Day select shipping options are available - actual freight will be applied.

### FREIGHT DAMAGE & SHORTAGES

Please inspect all shipments immediately and carefully. Please report damages and shortages on the drivers delivery receipt and notify [customerservice@oxford-house.com](mailto:customerservice@oxford-house.com) within 48 hours. No freight damage claim will be accepted after 10 days from shipping.

# PRICE GROUP I | SHEER SHADINGS

2" Vane Light Filtering Fabrics | SL5 • SL7

Height to:	Width:	24"	30"	36"	42"	48"	54"	60"	66"	72"	84"	96"	108"	114"
	36"	797	897	1003	1097	1201	1304	1400	1503	1760	1974	2183	2644	3081
42"	843	949	1057	1172	1279	1396	1503	1611	1878	2106	2327	2840	3275	
48"	892	1006	1123	1239	1361	1481	1609	1733	2002	2243	2483	3039	3473	
54"	927	1053	1183	1311	1446	1574	1716	1857	2123	2375	2658	3325	3763	
60"	968	1112	1246	1382	1523	1673	1822	1975	2236	2528	2831	3555	3991	
66"	1011	1164	1310	1456	1611	1775	1941	2099	2356	2687	3012	3780	4219	
72"	1057	1216	1374	1528	1702	1878	2048	2223	2483	2840	3191	4026	4462	
78"	1084	1259	1423	1598	1776	1961	2140	2328	2600	2982	3348	4229	4666	
84"	1131	1310	1482	1681	1869	2061	2262	2458	2737	3142	3527	4446	4883	
90"	1176	1361	1553	1755	1959	2172	2372	2580	2867	3291	3707	4688	5124	
96"	1222	1417	1616	1834	2048	2262	2478	2695	3002	3446	3881	4922	5361	
102"	1400	1622	1844	2086	2305	2513	2811	3083	3299	3754	4184	5060	5454	
108"	1475	1704	1941	2197	2424	2652	2954	3246	3473	3942	4406	5328	5763	
114"	1564	1806	2059	2327	2580	2819	3132	3445	3685	4184	4668	5653	6088	
120"	1681	1938	2209	2491	2751	3012	3348	3685	3944	4482	4998	6046	6483	

\*SL7 fabric only available up to 102" drop.

Operating Systems Available

<b>Clutch w/ Cord Loop</b>	Standard No Charge
<b>Clutch w/ Cord Loop 2-on-1</b>	Price as two separate shades (standard)
<b>Cordless</b>	\$128 Retail Surcharge
<b>Retractable Standard</b>	\$128 Retail Surcharge
<b>Retractable 2-on-1</b>	\$193 Retail Surcharge

Note: Cordless Handle Clear. Two-on-One only available on Cord Loop and Retractable Cord.

No Charge Options (specify on order)

<b>Control Position (R or L)</b>	
<b>Two-on-One Headrail</b>	Price as two separate shades (standard)
<b>Spacer Blocks</b>	
<b>Extension Brackets</b>	
<b>Hold Down Brackets</b>	
<b>Back Cover for Inside Mount</b>	
<b>Dust Cover for Outside Mount</b>	

AMP™ Motorized Sheer Shadings Surcharges

<b>Motor &amp; Parts Surcharge</b>	\$742
<b>Remote Control</b>	\$170
<b>Bridge</b>	\$495
<b>Charging Cable</b>	\$170

AMP™ Motorized Standards

<b>Minimum Width</b>	24"
<b>Maximum Width</b>	114"
<b>Minimum Height</b>	12"
<b>Maximum Height</b>	120"

60 sq. ft. limit on Light Filtering fabrics for AMP™ Motorization

	Standard Loop	Retractable Cord
<b>Minimum Width</b>	24"	24"
<b>Maximum Width</b>	144"	144"
<b>Maximum Height</b>	120"	120"
<b>Center Gap</b>	3/8"	3/8"

Note: Two-on-One Headrail option not available with Cordless or AMP™ Motorization.

Size Standards	Standard Loop	Retractable Cord	Cordless
<b>Minimum Width</b>	12"	12"	18"
<b>Maximum Width</b>	114"	114"	84"
<b>Minimum Height</b>	16"	16"	16"
<b>Maximum Height</b>	120"	120"	84"

## PRICE GROUP 2 | SHEER SHADINGS

2" Vane Room Darkening Fabrics | SL1

Height to:	Width:	24"	30"	36"	42"	48"	54"	60"	66"	72"	84"	96"	108"	114"
	<b>36"</b>		879	987	1103	1205	1316	1435	1536	1651	1938	2172	2396	2905
<b>42"</b>		931	1046	1160	1288	1406	1532	1651	1775	2063	2320	2561	3122	3556
<b>48"</b>		980	1104	1239	1361	1497	1629	1765	1907	2201	2468	2735	3347	3783
<b>54"</b>		1018	1158	1300	1447	1586	1733	1887	2043	2331	2613	2924	3660	4097
<b>60"</b>		1062	1224	1369	1523	1673	1838	2002	2174	2459	2779	3114	3912	4348
<b>66"</b>		1111	1279	1446	1605	1774	1952	2136	2312	2590	2956	3313	4154	4592
<b>72"</b>		1160	1341	1513	1683	1874	2063	2252	2448	2735	3122	3506	4425	4862
<b>78"</b>		1196	1383	1566	1757	1953	2157	2355	2562	2858	3278	3678	4652	5089
<b>84"</b>		1243	1446	1631	1843	2056	2269	2490	2698	3010	3451	3880	4886	5324
<b>90"</b>		1297	1497	1705	1932	2156	2384	2606	2833	3155	3620	4076	5157	5593
<b>96"</b>		1344	1563	1777	2015	2252	2491	2729	2963	3305	3792	4269	5415	5853
<b>102"</b>		1538	1785	2032	2294	2538	2770	3088	3392	3628	4125	4601	5568	6006

Operating Systems Available

<b>Clutch w/ Cord Loop</b>	Standard No Charge
<b>Clutch w/ Cord Loop 2-on-1</b>	Price as two separate shades (standard)
<b>Cordless</b>	\$128 Retail Surcharge
<b>Retractable Standard</b>	\$128 Retail Surcharge
<b>Retractable 2-on-1</b>	\$193 Retail Surcharge

Note: Cordless Handle Clear. Two-on-One only available on Cord Loop and Retractable Cord.

No Charge Options (specify on order)

<b>Control Position (R or L)</b>	
<b>Two-on-One Headrail</b>	Price as two separate shades (standard)
<b>Spacer Blocks</b>	
<b>Extension Brackets</b>	
<b>Hold Down Brackets</b>	
<b>Back Cover for Inside Mount</b>	
<b>Dust Cover for Outside Mount</b>	

AMP™ Motorized Sheer Shadings Surcharges

<b>Motor &amp; Parts Surcharge</b>	\$742
<b>Remote Control</b>	\$170
<b>Bridge</b>	\$495
<b>Charging Cable</b>	\$170

AMP™ Motorized Standards

<b>Minimum Width</b>	24"
<b>Maximum Width</b>	114"
<b>Minimum Height</b>	12"
<b>Maximum Height</b>	102"

50 sq. ft. limit on Room Darkening fabrics for AMP™ Motorization

	Two-on-One Headrail Standard Loop	Retractable Cord
<b>Minimum Width</b>	24"	24"
<b>Maximum Width</b>	144"	144"
<b>Maximum Height</b>	102"	102"
<b>Center Gap</b>	3/8"	3/8"

Note: Two-on-One Headrail option not available with Cordless or AMP™ Motorization.

Size Standards	Standard Loop	Retractable Cord	Cordless
<b>Minimum Width</b>	12"	12"	18"
<b>Maximum Width</b>	114"	114"	84"
<b>Minimum Height</b>	16"	16"	16"
<b>Maximum Height</b>	102"	102"	84"

## PRICE GROUP 3 | SHEER SHADINGS

2½" Vane Light Filtering Fabrics | N8 • N10 • N14

Height to:	Width:	24"	30"	36"	42"	48"	54"	60"	66"	72"	84"	96"	108"	114"
	36"	836	942	1053	1151	1260	1368	1469	1578	1849	2071	2283	2776	3236
42"	886	997	1109	1230	1342	1464	1578	1692	1972	2213	2443	2979	3439	
48"	938	1057	1179	1302	1427	1554	1688	1819	2101	2354	2609	3191	3649	
54"	975	1105	1241	1378	1517	1653	1803	1950	2228	2494	2791	3492	3950	
60"	1018	1168	1308	1451	1598	1757	1912	2074	2349	2656	2974	3734	4192	
66"	1061	1224	1376	1529	1692	1862	2039	2205	2476	2821	3164	3970	4427	
72"	1109	1278	1443	1605	1787	1972	2150	2334	2609	2979	3348	4227	4687	
78"	1138	1321	1495	1678	1864	2060	2249	2444	2732	3130	3516	4442	4898	
84"	1187	1376	1555	1764	1961	2164	2376	2581	2875	3299	3703	4669	5129	
90"	1234	1427	1630	1843	2057	2280	2490	2707	3010	3456	3892	4921	5379	
96"	1282	1489	1698	1924	2150	2376	2600	2829	3152	3619	4075	5169	5628	
102"	1469	1702	1936	2190	2422	2640	2952	3238	3464	3942	4392	5314	5729	
108"	1549	1788	2039	2305	2544	2784	3103	3411	3648	4138	4625	5594	6052	
114"	1641	1898	2163	2443	2707	2959	3290	3617	3869	4392	4901	5934	6394	
120"	1764	2033	2321	2617	2890	3164	3516	3869	4141	4705	5248	6349	6809	

### Operating Systems Available

<b>Clutch w/ Cord Loop</b>	Standard No Charge
<b>Clutch w/ Cord Loop 2-on-1</b>	Price as two separate shades (standard)
<b>Cordless</b>	\$128 Retail Surcharge
<b>Retractable Standard</b>	\$128 Retail Surcharge
<b>Retractable 2-on-1</b>	\$193 Retail Surcharge

Note: Cordless Handle Clear. Two-on-One only available on Cord Loop and Retractable Cord.

### No Charge Options (specify on order)

<b>Control Position (R or L)</b>	
<b>Two-on-One Headrail</b>	Price as two separate shades (standard)
<b>Spacer Blocks</b>	
<b>Extension Brackets</b>	
<b>Hold Down Brackets</b>	
<b>Back Cover for Inside Mount</b>	
<b>Dust Cover for Outside Mount</b>	

### AMP™ Motorized Sheer Shadings Surcharges

<b>Motor &amp; Parts Surcharge</b>	\$742
<b>Remote Control</b>	\$170
<b>Bridge</b>	\$495
<b>Charging Cable</b>	\$170

### AMP™ Motorized Standards

<b>Minimum Width</b>	24"
<b>Maximum Width</b>	114"
<b>Minimum Height</b>	12"
<b>Maximum Height</b>	120"

60 sq. ft. limit on Light Filtering fabrics for AMP™ Motorization

	Two-on-One Headrail Standard Loop	Retractable Cord
<b>Minimum Width</b>	24"	24"
<b>Maximum Width</b>	144"	144"
<b>Maximum Height</b>	120"	120"
<b>Center Gap</b>	3/8"	3/8"

Note: Two-on-One Headrail option not available with Cordless or AMP™ Motorization.

	Standard Loop	Retractable Cord	Cordless
<b>Minimum Width</b>	12"	12"	18"
<b>Maximum Width</b>	114"	114"	84"
<b>Minimum Height</b>	16"	16"	16"
<b>Maximum Height</b>	120"	120"	84"

# PRICE GROUP 4 | SHEER SHADINGS

2½" Vane Room Darkening Fabrics | N6 • N16

Height to:	Width:	24"	30"	36"	42"	48"	54"	60"	66"	72"	84"	96"	108"	114"
	<b>36"</b>		923	1035	1158	1264	1381	1507	1614	1734	2033	2280	2513	3050
<b>42"</b>		977	1100	1217	1352	1476	1609	1734	1862	2167	2435	2691	3276	3735
<b>48"</b>		1028	1160	1302	1427	1571	1709	1854	2002	2311	2590	2871	3514	3972
<b>54"</b>		1068	1216	1365	1520	1664	1819	1982	2142	2448	2743	3071	3842	4300
<b>60"</b>		1115	1283	1437	1598	1755	1932	2101	2282	2582	2919	3268	4108	4566
<b>66"</b>		1166	1342	1517	1685	1861	2050	2243	2430	2719	3104	3478	4364	4823
<b>72"</b>		1217	1409	1588	1766	1968	2167	2364	2570	2871	3276	3684	4646	5104
<b>78"</b>		1257	1452	1646	1844	2052	2267	2474	2692	3002	3442	3864	4884	5342
<b>84"</b>		1305	1517	1712	1936	2158	2381	2616	2831	3160	3623	4074	5133	5590
<b>90"</b>		1363	1571	1790	2027	2262	2504	2737	2977	3313	3801	4281	5414	5871
<b>96"</b>		1412	1640	1865	2117	2364	2617	2867	3113	3470	3981	4482	5687	6147
<b>102"</b>		1615	1875	2132	2407	2665	2907	3242	3564	3810	4333	4833	5846	6307

Operating Systems Available

<b>Clutch w/ Cord Loop</b>	Standard No Charge
<b>Clutch w/ Cord Loop 2-on-1</b>	Price as two separate shades (standard)
<b>Cordless</b>	\$128 Retail Surcharge
<b>Retractable Standard</b>	\$128 Retail Surcharge
<b>Retractable 2-on-1</b>	\$193 Retail Surcharge

Note: Cordless Handle Clear. Two-on-One only available on Cord Loop and Retractable Cord.

No Charge Options (specify on order)

<b>Control Position (R or L)</b>	
<b>Two-on-One Headrail</b>	Price as two separate shades (standard)
<b>Spacer Blocks</b>	
<b>Extension Brackets</b>	
<b>Hold Down Brackets</b>	
<b>Back Cover for Inside Mount</b>	
<b>Dust Cover for Outside Mount</b>	

AMP™ Motorized Sheer Shadings Surcharges

<b>Motor &amp; Parts Surcharge</b>	\$742
<b>Remote Control</b>	\$170
<b>Bridge</b>	\$495
<b>Charging Cable</b>	\$170

AMP™ Motorized Standards

<b>Minimum Width</b>	24"
<b>Maximum Width</b>	114"
<b>Minimum Height</b>	12"
<b>Maximum Height</b>	102"

50 sq. ft. limit on Room Darkening fabrics for AMP™ Motorization

Two-on-One Headrail	Standard Loop	Retractable Cord
<b>Minimum Width</b>	24"	24"
<b>Maximum Width</b>	144"	144"
<b>Maximum Height</b>	102"	102"
<b>Center Gap</b>	3/8"	3/8"

Size Standards	Standard Loop	Retractable Cord	Cordless
<b>Minimum Width</b>	12"	12"	18"
<b>Maximum Width</b>	114"	114"	84"
<b>Minimum Height</b>	16"	16"	16"
<b>Maximum Height</b>	102"	102"	84"

Note: Two-on-One Headrail option not available with Cordless or AMP™ Motorization.

## PRICE GROUP 5 | SHEER SHADINGS

3" Vane Light Filtering Fabrics | SL6 • SL8

Height to:	Width:	24"	30"	36"	42"	48"	54"	60"	66"	72"	84"	96"	108"	114"
	36"	895	1006	1126	1227	1341	1462	1566	1683	1806	1974	2213	2440	2960
42"	949	1066	1182	1311	1434	1562	1683	1806	2102	2363	2612	3182	3617	
48"	998	1127	1262	1385	1526	1659	1800	1943	2244	2513	2786	3412	3846	
54"	1037	1181	1326	1475	1615	1765	1923	2080	2375	2661	2979	3729	4166	
60"	1084	1246	1396	1551	1705	1875	2041	2217	2506	2832	3172	3987	4422	
66"	1132	1303	1474	1636	1805	1989	2175	2356	2639	3012	3376	4233	4670	
72"	1182	1367	1541	1714	1908	2102	2295	2494	2786	3182	3574	4511	4946	
78"	1218	1411	1596	1790	1990	2199	2401	2613	2914	3341	3747	4741	5178	
84"	1267	1474	1663	1879	2096	2310	2538	2749	3068	3516	3954	4981	5417	
90"	1321	1526	1738	1969	2198	2431	2658	2890	3213	3689	4153	5256	5691	
96"	1371	1593	1811	2053	2295	2540	2780	3020	3367	3865	4349	5519	5957	
102"	1567	1820	2070	2336	2586	2823	3148	3457	3699	4203	4690	5675	6112	
108"	1655	1912	2175	2458	2716	2974	3312	3639	3891	4417	4934	5970	6260	
114"	1753	2028	2308	2612	2890	3158	3510	3860	4132	4690	5236	6331	6769	
120"	1879	2173	2475	2793	3089	3376	3754	4132	4418	5023	5604	6779	7218	

### Operating Systems Available

<b>Clutch w/ Cord Loop</b>	Standard No Charge
<b>Clutch w/ Cord Loop 2-on-1</b>	Price as two separate shades (standard)
<b>Cordless</b>	\$128 Retail Surcharge
<b>Retractable Standard</b>	\$128 Retail Surcharge
<b>Retractable 2-on-1</b>	\$193 Retail Surcharge

Note: Cordless Handle Clear. Two-on-One only available on Cord Loop and Retractable Cord.

### No Charge Options (specify on order)

<b>Control Position (R or L)</b>	
<b>Two-on-One Headrail</b>	Price as two separate shades (standard)
<b>Spacer Blocks</b>	
<b>Extension Brackets</b>	
<b>Hold Down Brackets</b>	
<b>Back Cover for Inside Mount</b>	
<b>Dust Cover for Outside Mount</b>	

### AMP™ Motorized Sheer Shadings Surcharges

<b>Motor &amp; Parts Surcharge</b>	\$742
<b>Remote Control</b>	\$170
<b>Bridge</b>	\$495
<b>Charging Cable</b>	\$170

### AMP™ Motorized Standards

<b>Minimum Width</b>	24"
<b>Maximum Width</b>	114"
<b>Minimum Height</b>	12"
<b>Maximum Height</b>	102" OR 120"

60 sq. ft. limit on Light Filtering fabrics for AMP™ Motorization

Two-on-One Headrail	Standard Loop	Retractable Cord
<b>Minimum Width</b>	24"	24"
<b>Maximum Width</b>	144"	144"
<b>Maximum Height</b>	102" OR 120"	102" OR 120"
<b>Center Gap</b>	3/8"	3/8"

Size Standards	Standard Loop	Retractable Cord	Cordless
<b>Minimum Width</b>	12"	12"	18"
<b>Maximum Width</b>	114"	114"	84"
<b>Minimum Height</b>	16"	16"	16"
<b>Maximum Height</b>	102" OR 120"*	102" OR 120"*	84"

Note: Two-on-One Headrail option not available with Cordless or AMP™ Motorization.  
\*SL8 has a max height of 102".



# PRICE GROUP 6 | SHEER SHADINGS

3" Vane Room Darkening Fabrics | SL2

Height to:	Width:	24"	30"	36"	42"	48"	54"	60"	66"	72"	84"	96"	108"	114"
	<b>36"</b>		985	1105	1235	1350	1475	1610	1723	1853	2172	2436	2681	3259
<b>42"</b>		1042	1173	1300	1446	1576	1720	1853	1986	2312	2598	2871	3498	3936
<b>48"</b>		1097	1236	1388	1526	1675	1826	1979	2136	2467	2768	3064	3749	4188
<b>54"</b>		1139	1299	1455	1622	1778	1941	2117	2288	2615	2927	3278	4102	4539
<b>60"</b>		1191	1372	1536	1706	1875	2061	2244	2438	2758	3117	3490	4383	4819
<b>66"</b>		1246	1435	1621	1800	1986	2188	2392	2592	2902	3314	3712	4657	5093
<b>72"</b>		1300	1502	1697	1887	2097	2312	2525	2742	3064	3498	3930	4960	5397
<b>78"</b>		1341	1553	1757	1970	2190	2418	2639	2873	3204	3675	4123	5215	5652
<b>84"</b>		1393	1621	1830	2069	2305	2544	2791	3024	3375	3868	4347	5480	5916
<b>90"</b>		1452	1675	1912	2164	2415	2674	2922	3176	3538	4059	4567	5781	6217
<b>96"</b>		1506	1752	1992	2258	2525	2793	3057	3323	3702	4252	4788	6075	6510
<b>102"</b>		1724	2001	2277	2570	2845	3103	3462	3801	4068	4621	5161	6243	6681

Operating Systems Available

<b>Clutch w/ Cord Loop</b>	Standard No Charge
<b>Clutch w/ Cord Loop 2-on-1</b>	Price as two separate shades (standard)
<b>Cordless</b>	\$128 Retail Surcharge
<b>Retractable Standard</b>	\$128 Retail Surcharge
<b>Retractable 2-on-1</b>	\$193 Retail Surcharge

Note: Cordless Handle Clear. Two-on-One only available on Cord Loop and Retractable Cord.

No Charge Options (specify on order)

<b>Control Position (R or L)</b>	
<b>Two-on-One Headrail</b>	Price as two separate shades (standard)
<b>Spacer Blocks</b>	
<b>Extension Brackets</b>	
<b>Hold Down Brackets</b>	
<b>Back Cover for Inside Mount</b>	
<b>Dust Cover for Outside Mount</b>	

AMP™ Motorized Sheer Shadings Surcharges

<b>Motor &amp; Parts Surcharge</b>	\$742
<b>Remote Control</b>	\$170
<b>Bridge</b>	\$495
<b>Charging Cable</b>	\$170

AMP™ Motorized Standards

<b>Minimum Width</b>	24"
<b>Maximum Width</b>	114"
<b>Minimum Height</b>	12"
<b>Maximum Height</b>	102"

50 sq. ft. limit on Room Darkening fabrics for AMP™ Motorization

	Standard Loop	Retractable Cord
<b>Minimum Width</b>	24"	24"
<b>Maximum Width</b>	144"	144"
<b>Maximum Height</b>	102"	102"
<b>Center Gap</b>	3/8"	3/8"

Size Standards	Standard Loop	Retractable Cord	Cordless
<b>Minimum Width</b>	12"	12"	18"
<b>Maximum Width</b>	114"	114"	84"
<b>Minimum Height</b>	16"	16"	16"
<b>Maximum Height</b>	102"	102"	84"

Note: Two-on-One Headrail option not available with Cordless or AMP™ Motorization.

## AMP™ MOTORIZED SHADE SPECIFICATIONS

## MOTORIZED LIFT SYSTEM OPTIONS



## Features:

- Wire-free rechargeable Li-ion tubular motor
- 500 cycles per charge; 500 recharges per motor
- Variable speed control
- Shades can be controlled via Remote or AMP™ App using USB Bridge
- AMP™ USB Bridge allows bi-directional communication with shade position reporting & battery level status

## Surcharges:

Motor & Parts .....	\$742
Remote Control .....	\$170
Bridge .....	\$495
Charging Cable .....	\$170

## AMP™ Remote



- Up to 15 channels remote with 3V (CRV2450) battery
- Magnetic holder included
- Channel 0 controls all shades assigned to remote
- Ability to hide extra channels
- Favorite position activated by quick touch of a button
- Locking feature prevents unwanted configuration changes

## AMP™ Charging Cable



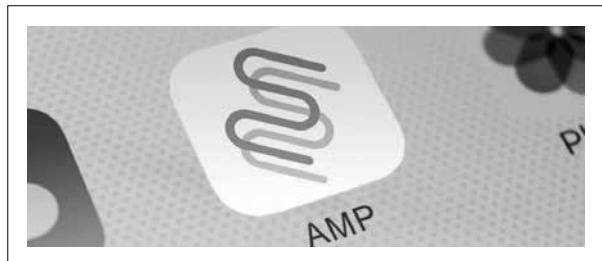
- 5V/2A charger for DC battery motors
- Fully charges in approximately 4-6 hours
- Has LED indicator
- USB wire cable included

## AMP™ Bridge



- USB Bridge enable App control from iOS and Android devices
- Radio frequency 433Mhz with 2.4 Ghz Wifi built-in
- Bi-directional RF communication allows shade position and battery level status to be seen on the APP
- Integrated with Amazon Alexa, Google Assistant, Apple Shortcuts, and IFTTT

## AMP™ APP



- IOS / Android compatible
- Voice control - Google Home / Amazon Alexa / Siri integrated
- Rooms / Scenes / Timer features
- Live feedback

SHEER SHADINGS PRODUCT SPECIFICATIONS

HEADRAIL

Specifications (figure A):

- Available on all Standard Sheer Shades
- Aluminum color coordinated headrail without fabric insert.  
Fabric insert option is available with white headrail only. End caps and bottomrail are color coordinated.
- Operating Systems: Cordless, Cord Loop, Retractable or AMP™ Motorized System

Minimum Flush Inside Mount with Install Brackets .....	3 3/8"
Minimum Shallow Mounting Surface .....	1"
Minimum Side Mounting Surface .....	1 1/4"
Maximum Shade Width Side Mount .....	48"
Minimum Outside Mounting Surface .....	1"

CORD INFORMATION

Braided polyester cord styles will measure the height indicated below unless otherwise specified.

<b>Shade Height:</b>	<b>Standard Loop:</b>
16" - 26 7/8"	1 ft. (white only)
27" - 39 7/8"	2 ft.
40" - 59 7/8"	3 ft.
60" - 83 7/8"	4 ft.
84" - 107 7/8"	5 ft.
108" - 120"	6 ft. (white only)

Optional Cord Drops (white cord only)

<b>Shade Height:</b>	<b>Standard Loop:</b>
6' - 12'	6" increments
12' - 16'	12" increments

Child Safety

Our Sheer Shadings are designed with child safety as a priority. To reduce the risk of strangulation, our fabrication methods incorporate features to comply with the current ANSI cord safety standard. Fabrication methods include tension devices.

For Sheer Shadings made with a clutch operating system, our tension device is designed and is to be placed and shipped, so that unless it is properly installed (or altered from the shipped condition with sequential process or tools), it prevents the shade from operating. The tension device, once installed, can help prevent children from pulling cords around their necks.



cord tensioner

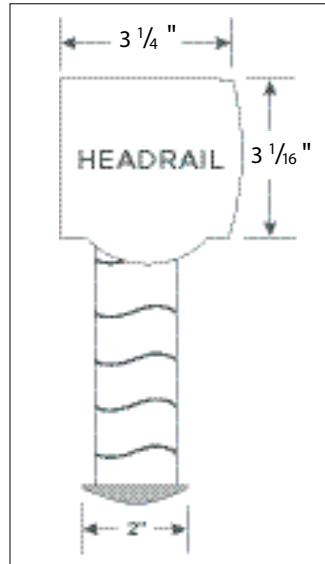
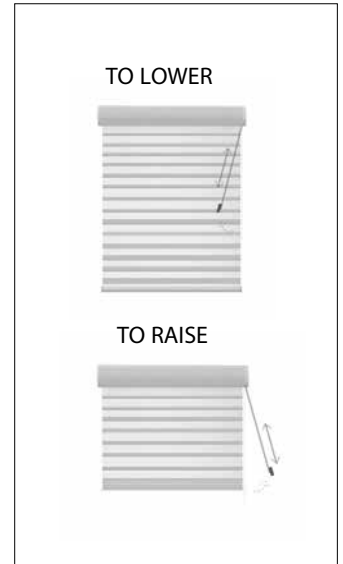


Figure A



Retractable

FINISHED DIMENSIONS

Once ordered and manufactured, the width of the fabric cannot be altered. Your fabricator makes deductions to the width of Sheer Shadings depending on the type of mounting indicated. For all mounting types, fabric will measure exactly the height ordered when the vanes are in the open or "view-through" position.

- |                          |  |
|--------------------------|--|
| <b>Inside Mount:</b>     | <ul style="list-style-type: none"> <li>• Headrail will measure ordered width less 3/16"</li> <li>• Fabric will measure ordered width less 1"</li> </ul>      |
| <b>Side (End) Mount:</b> | <ul style="list-style-type: none"> <li>• Headrail will measure ordered width less 11/16"</li> <li>• Fabric will measure ordered width less 1 1/2"</li> </ul> |
| <b>Outside Mount:</b>    | <ul style="list-style-type: none"> <li>• Headrail will measure ordered width</li> <li>• Fabric will measure ordered width minus 3/4"</li> </ul>              |

Headrail measurements include endcaps. Width and length measurements may vary +/- 1/8".

# SHEER SHADINGS PRODUCT SPECIFICATIONS

## HEADRAIL FOR VALUE SHEER SHADES

### Specifications (figure A):

- Available on all Value Sheer Shades
- Aluminum color coordinated headrail
- Operating Systems: Cord Loop and Cordless options only

Minimum Flush Inside Mount with Install Brackets .....	3 3/8"
Minimum Shallow Mounting Surface.....	1"
Minimum Side Mounting Surface.....	1 1/4"
Maximum Shade Width Side Mount.....	48"
Minimum Outside Mounting Surface.....	1"

## CORD LOOP INFORMATION

Cord Loop styles will measure the height indicated below unless otherwise specified.

<b>Shade Height:</b>	<b>Standard Loop:</b>
16" - 26 7/8"	1 ft. (white only)
27" - 39 7/8"	2 ft.
40" - 59 7/8"	3 ft.
60" - 83 7/8"	4 ft.
84" - 107 7/8"	5 ft.
108" - 120"	6 ft. (white only)

### Optional Cord Drops (white cord only)

<b>Shade Height:</b>	<b>Standard Loop:</b>
6' - 12'	6" increments
12' - 16'	12" increments

## Child Safety

Our Sheer Shadings are designed with child safety as a priority. To reduce the risk of strangulation, our fabrication methods incorporate features to comply with the current ANSI cord safety standard. Fabrication methods include tension devices.

For Sheer Shadings made with a clutch operating system, our tension device is designed and is to be placed and shipped, so that unless it is properly installed (or altered from the shipped condition with sequential process or tools), it prevents the shade from operating. The tension device, once installed, can help prevent children from pulling bead chains around their necks.



cord tensioner

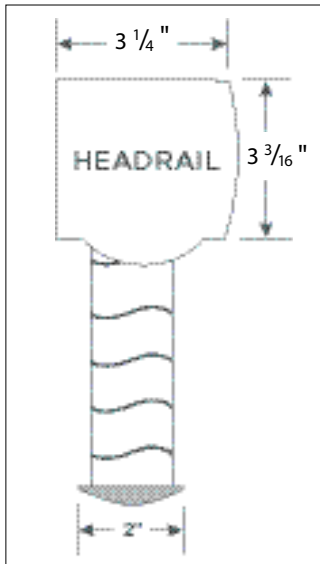


figure A

## FINISHED DIMENSIONS

Once ordered and manufactured, the width of the fabric cannot be altered. Your fabricator makes deductions to the width of Sheer Shadings depending on the type of mounting indicated. For all mounting types, fabric will measure exactly the height ordered when the vanes are in the open or "view-through" position.

- Inside Mount:**
- Headrail will measure ordered width less 3/16"
  - Fabric will measure ordered width less 1"

- Side (End) Mount:**
- Headrail will measure ordered width less 11/16"
  - Fabric will measure ordered width less 1 1/2"

- Outside Mount:**
- Headrail will measure ordered width
  - Fabric will measure ordered width minus 3/4"

Headrail measurements include endcaps. Width and length measurements may vary +/- 1/8".

## HORIZONTAL SHEER SHADINGS DESIGN & OPERATION

### Fabric Collections:

Sheer shades are available with three different fabric vane sizes: 2", 2 1/2" and 3". Light filtering fabric gently filters light while room darkening casts deep room darkening shadows. Please note that room darkening is not a blackout fabric.

### Shade Operation:

Sheer shades feature the Continuous Cord System or the Motorized System. Both Systems provide the ability to manipulate the shade into various viewing positions. From the closed and retracted position (fabric inside the headrail), lower the fabric by pulling down on the rear of the loop cord until you reach the desired shading position or press the down arrow of the remote control. Once lowered completely to the window sill, continuing to pull the cord in the same direction, or pressing the down arrow on the remote control, will open the horizontal fabric vanes, offering varied views to the outside. To retract the shading, simply pull down on the front of the cord, or press the up arrow of the remote control, until the shade reaches the desired viewing mode or fabric position.

### Viewing Options:

Sheer Shadings provide a number of varied views to the outside for controlling light and privacy. Consequently, there are variations in visibility through the shades when the vanes are tilted to their maximum open positions. The following four modes can be obtained with standard shading operation when viewing the shading at eye level.

- Closed top, open bottom - By partially lowering the shade from the fully raised position, the upper portion of your window will become semi-opaque while allowing a clear view below.
- Fully private - When lowered completely, the shade provides complete privacy and softly diffuses light.
- Partially open - Opening the shade slightly will gradually increase the level of light and allow varying levels of "view-through."
- View-through when lowered - By completely opening the vanes, the shade provides a softened, veiled view to the outside.

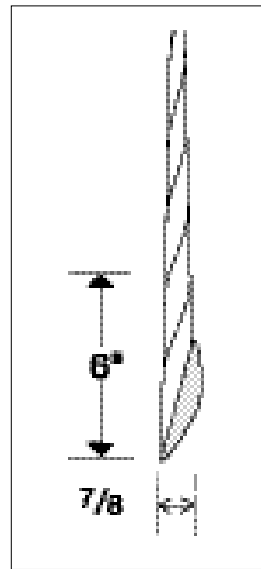


figure B

### Vane Closure (figure B):

Sheer shade fabric vanes overlap and provide privacy when closed. However, the inherent nature of the fabric will cause a slight increase in the distance from the front sheer to back sheer as you move further down the shade. These vanes do not form a perfect seal against light leakage which is most visible toward the bottom of the shade.

Vane closure is measured as the distance between the front and rear fabric sheers 6" up from the lowest point of the bottom rail, with the shade fully lowered and the vanes closed. For sheer shades, the maximum distance from the front sheer to the back sheer when closed is 1".

### Side-by-Side Alignment:

When sheer shades are installed side-by-side, vane alignment can be guaranteed within 1/4" only if:

- The shades are the same color, identical style, ordered at the same time and are the same height.
- The sum total of the widths of all shades needing alignment is less than 120".
- Side-by-side lineup must be specified when the order is placed.
- Vane alignment cannot be guaranteed for Two-on-One Headrail and motorized shadings combined on the same order.

## HORIZONTAL SHEER SHADINGS DESIGN & OPERATION

### Vane Opening:

Vanes on the four styles of sheer shade fabrics open to slightly different degrees. Consequently, there are variations in visibility through the shades when the vanes are tilted to their maximum open positions. The variations among the products are shown in the illustration to the right, when looking through the shading  $\frac{1}{4}$  of the way up from the bottom.

### Hardware:

#### Hold Down Brackets

Hold down brackets are made of a clear plastic which fit into holes in the end cap of the bottom rail. Hold downs are generally used to secure the bottom of the sheer shade to prevent swaying.

#### Extension Brackets

Extension or "L" brackets are available which can be used to project the back of the shade  $4\frac{1}{4}$ " from the mounting surface.

#### Spacer Blocks

Spacer blocks project the shade  $\frac{3}{8}$ " from the mounting surface. Use spacer blocks to obtain clearance when obstructions, such as window cranks or door handles, obstruct the movement of the shade.

### Cord Tensioner:

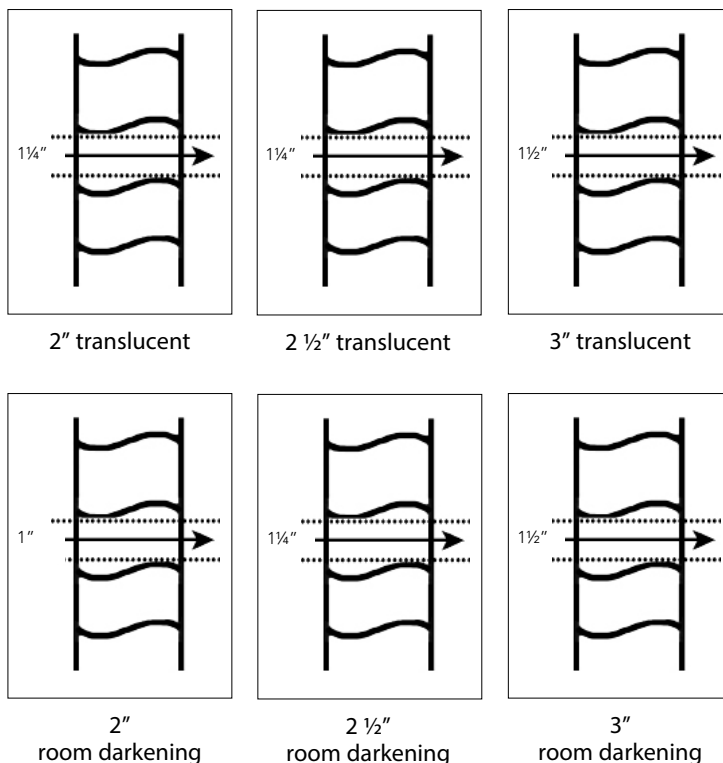
The cord tensioner keeps the cord taut to prevent children and pets from entangling and subsequently injuring themselves. Cord tensioners must be used for this product to comply with the Consumer Product Safety Commission (CPSC) Child Safety guidelines.

### Leveling Sheer Shadings:

Sheer shades are leveled and weighted in the factory. When installed level, the fabric will not skew when raised. If the headrail is not installed level, skewing can occur that can damage the edge of the fabric. Be sure to follow the installation instructions carefully to ensure correct and balanced operation.

### Skew Adjusting Bottom Rail:

After installation, windows that are not square and level may cause the shadings to shift to one side as it rolls up, requiring adjustment of the bottom rail. To adjust the fabric, the weight in the bottom rail can be slid from one end to the other. If the fabric is skewing to the right, loosen the weight with a screw driver and slide the weight to the right. If the fabric is skewing to the left, slide the weight to the left.



### Height Considerations (figure C):

Your fabricator will fabricate your sheer shade to the exact height ordered, when the vanes are in the closed position. When the vanes are rotated to the open position, the shade will become slightly longer.

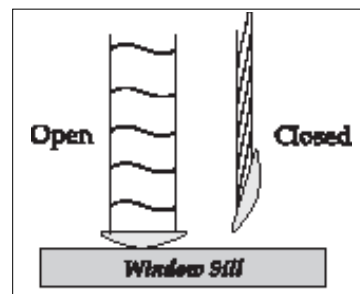


figure C

When opened on an inside mount, the shading will be slightly longer than the ordered length. A slight puckering may occur when the vanes are in the open position. Rotating the vanes closed will cause the bottom rail to touch the window sill before it begins to raise.

## HORIZONTAL SHEER SHADINGS MEASURING INSTRUCTIONS

Precise width and height measurements are critical. Fabric width cannot be altered after the shading is fabricated. Please use a metal tape measure for accuracy from home to factory.

The headrail must be installed perfectly level and installed evenly to ensure smooth operation. On an inside mount, it is recommended that you check to see that the mounting surface is level and consistent. If your soffit needs to be leveled, this should be done before measuring.

### INSIDE MOUNT

Measure across the width of your window opening in three different places - top, middle and bottom. Measurements should be taken within the window jamb. Provide the smallest of the three measurements to your fabricator. Be exact. Your fabricator will make the necessary deductions to fit the window opening.

Measure the height of the window opening from the underside of the soffit to the surface of the window sill in two places - use the smallest of these two measurements.

### SIDE MOUNT

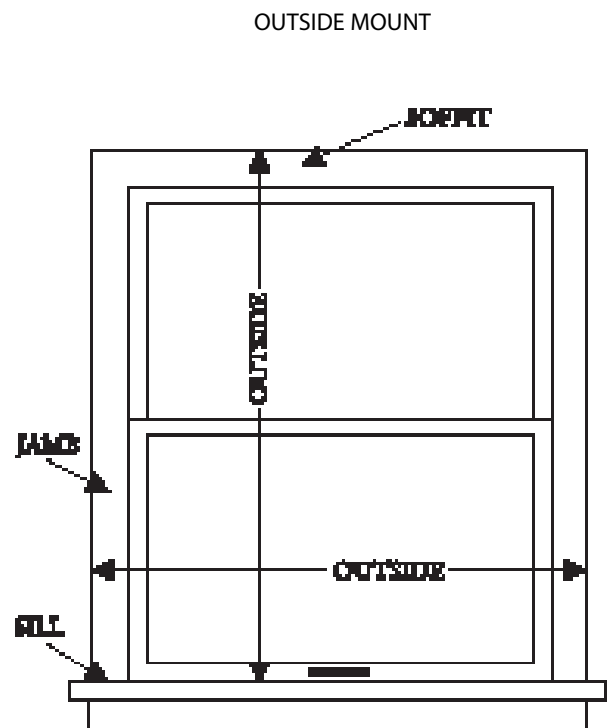
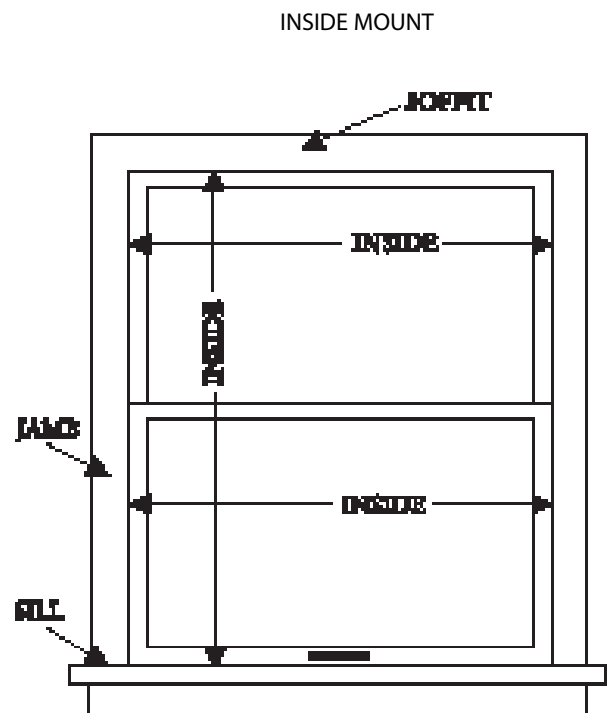
Sheer shades may be side mounted using "L" brackets. For side mounts, follow the instructions for inside mounts. An additional 1/2" will be taken off the standard inside mount deduction to allow room for the "L" brackets.

The maximum shade width utilizing the side mount option is 48".

### OUTSIDE MOUNT

Measure the exact width and height of the area to be covered. On the width, allow at least 1 1/2" of an overlap on each side. An overlap of 3" on each side is recommended.

Be sure to take into consideration any obstructions such as window trim, molding, locks and window cranks.



## CHILD SAFETY

Our Sheer Shadings are designed with child safety as a priority. To reduce the risk of strangulation, our fabrication methods incorporate features to comply with the current ANSI cord safety standard. Fabrication methods include tension devices.



## CARING FOR SHADES

The soft, delicate feel of the fabric belies the durability of the material. It is made from a sturdy, knitted polyester fabric which can be feather dusted or vacuumed at a low setting. Spots or stains can be lightly rubbed clean with a damp sponge and mild soap. To avoid discoloration of the material, we recommend against the use of chemical cleaners. The sheer fabric may also be ultrasonically cleaned.

Important: Do not clean the fabric using electrostatic wipes such as Swiffer® or Pledge Grab-It®.



## LIMITED PRODUCT WARRANTY

Turnils North America (“we” or “Turnils”) warrant to its direct fabricator/ retailer customer that Turnils finished blinds and shades will be free from defects in materials and workmanship for a period of 10 years from the date of purchase (or such shorter period as is provided below), provided such products were properly installed and maintained as per our installation instructions and not modified in any way. We will repair or replace, at our option, a defective product after it is returned to Turnils. Such repair or replacement shall be the customer’s sole remedy.

Natural materials, especially wood, can have a tendency to warp when exposed to the elements. This is considered normal wear and tear and is not covered by this warranty.

Repairs and replacements will be made with like or similar parts or products. We will do our best to match the repair or replacement with similar parts or products, but colors may vary and we cannot guarantee an exact match from previous purchases or to other non-defective existing products, even if they are in or near the same opening. If the product, part/component, or operating system has been discontinued, we will repair or replace only the defective product with the most similar alternative available at the time of repair or replacement.

### WHAT IS COVERED

- This warranty covers our products for defects in materials, mechanisms, workmanship, and failure to operate for a period of 10 years from the date of original purchase (unless shorter periods are provided in the chart below)
- All internal mechanisms, components, and brackets
- Fabric delamination
- Turnils will provide a return shipping label for products less than 12 months old.

Product/ Components	Period of Coverage (from date of purchase)
All operational cords, ladders and tapes	7 Years
Motorization components and accessories* (batteries not included)	5 Years
Specialty Shades	1 Year

\*All motorization components must be purchased from Turnils to be covered by our warranty.

### WHAT IS NOT COVERED

- Any conditions caused by normal wear and tear on the product.
- Abuse, accidents, misuse, or alterations to the product.
- Exposure to the elements (e.g., sunlight, salt air, wind, water/moisture, high humidity, or corrosive materials) which may cause discoloration, fading, cracking, shrinking, stretching, or warping over time.
- Failure to follow our instructions with respect to measurement, proper installation, cleaning, operation of the product, or maintenance.
- Labor costs associated with removal and reinstallation.
- Shipments will be at the purchaser’s expense for all products more than 12 months old.

To Obtain Warranty Service:

- Contact your Turnils Sales Representative for warranty assistance.
- Contact Turnils at [atl.orders@turnils.com](mailto:atl.orders@turnils.com) for technical support, availability of parts, for assistance in obtaining warranty service, or for further explanation of our warranty.

NOTE: This limited warranty extends only to Turnils direct fabricator/retailer customer and not to the consumer purchases of the product. EXCEPT AS EXPRESSLY PROVIDED IN THIS PARAGRAPH, TURNILS MAKES NO REPRESENTATIONS OR WARRANTIES OF ANY KIND, NATURE OR DESCRIPTION, EXPRESS OR IMPLIED, INCLUDING WITHOUT LIMITATION ANY WARRANTY OF MERCHANTABILITY OR FITNESS OF ANY PRODUCTS FOR ANY PARTICULAR PURPOSE, AND HEREBY DISCLAIMS THE SAME. In no event shall Turnils be liable or responsible for INCIDENTAL OR CONSEQUENTIAL DAMAGES or for any other direct or indirect damage, loss, cost, expense or fee. Some states do not allow the exclusion of limitation of incidental or consequential damages, so this exclusion or limitation may not apply to you. This warranty gives you specific legal rights, and you may also have other rights which vary from State to State. This warranty is limited to blinds, shades, and shutters installed in residential dwellings but, again, extends only to Turnils’s direct fabricator/retailer customer and not to the consumer purchaser.

Different warranty periods and terms apply for commercial products and applications.

Effective 1/1/23