



# Vienna and Kensington



Product Reference & Price Guide

## Soft Sheer Horizontal Window Shadings

August 15, 2011

*Prices subject to change without notice.*



## Vienna Price Code Listing Featuring Soft Sheer Horizontal Window Shadings

*This Price Code Listing contains product pricing, product specifications and technical information for the complete line of Vienna Soft Sheer Window Shadings.*

<b>Vienna Soft Sheer Horizontal Window Shadings</b> .....	<b>(pages 1-11)</b>
Pricing Grids .....	2-3
Width and Height Dimensions .....	2-3
Deluxe RTS Motorization .....	4-5
Finished Dimensions .....	6
Headrail Options .....	6
Cord Information .....	6-7
Design and Operation .....	7-8
Measuring Instructions .....	8
Skew Adjusting Bottomrail .....	9
Tilt-Only Vienna Specifications .....	10
Tilt-Only Vienna Pricing Grids .....	11-12
<b>General Product Information</b> .....	<b>(page 13)</b>
Cleaning and Care .....	13
Child Safety .....	13
Warranty Information .....	13
Conditions of Sale .....	13

## Vienna Soft Sheer Horizontal Window Shadings Features at a Glance

- A window shading of unique beauty and performance for the finishing touch to a beautiful window and room.
  - Horizontal fabric vanes float between two layers of soft, knitted fabric sheers, to soften your view outside with a choice of fabrics.
  - New non-woven vane fabrics feature a softer, brushed look for your windows.
  - All Soft Sheer Horizontal vane colors are featured between two layers of white sheer fabric except for Pearl Essence, color #3001. This unique color features sheer fabric that is perfectly matched to the Pearl color of the vane creating a rich tone-on-tone appearance.
  - Available to widths of 114” and drops to 132” to provide visual elegance to the widest of windows.
  - Vanes glide from open to closed to out of sight with elegant hardware.
  - Only the Vienna Continuous Cord System provides five distinctly different variations of vane position for numerous combinations of privacy, view and light control.
  - Only with Vienna, partially raise the shading with the fabric vanes in the open, “view-through” position so you keep your view and still feel the outdoor breeze.
  - An adjustable weight system hidden in the bottom rail end caps allows for on-the-spot skew adjustment for a balanced appearance in the window.
  - Two different color coordinated headrail styles to maintain your sophisticated look.
  - Low side light gap provides minimal light leakage on shading sides and above the headrail for increased privacy.
  - Easy to install hardware and brackets allows for effortless installations and easy removal for cleaning.
  - May be ultrasonically or traditionally cleaned to stay bright and beautiful.
  - Limited Lifetime Warranty as a commitment to your satisfaction.
- Flame Resistance**
- Soft Sheer Horizontal fabric may be processed with a topical treatment to resist flames and adhere to strict flammability codes. For more information, contact your fabricator.

*Vienna Soft Sheer Horizontal  
Window Shadings*

*2" Vane  
Sheer, Linen Print and Brushed Vane Fabrics*

Height	Width	24"	30"	36"	42"	48"	54"	60"	66"	72"	84"	96"	114"
	36"	473	531	593	649	710	772	829	891	955	1043	1170	1289
42"	499	563	625	693	757	826	891	955	1027	1114	1250	1380	1683
48"	527	594	666	733	807	877	953	1027	1114	1187	1330	1473	1803
54"	548	624	701	779	856	934	1016	1099	1171	1257	1409	1576	1973
60"	574	659	738	819	901	990	1079	1171	1266	1324	1500	1680	2110
66"	598	689	777	864	955	1051	1149	1246	1342	1397	1594	1787	2242
72"	625	721	814	907	1009	1114	1215	1318	1424	1473	1683	1890	2388
78"	643	745	843	947	1052	1164	1269	1381	1497	1543	1766	1985	2509
84"	670	777	878	994	1108	1222	1342	1465	1591	1624	1862	2091	2635
90"	698	807	919	1040	1163	1287	1405	1528	1656	1700	1952	2196	2781
96"	724	841	958	1087	1215	1343	1470	1599	1731	1781	2044	2303	2921
102"	830	961	1093	1236	1366	1493	1625	1752	1882	1956	2223	2481	3002
108"	874	1011	1149	1300	1436	1572	1712	1825	1925	2060	2338	2611	3160
114"	927	1073	1221	1380	1528	1671	1818	1925	2043	2187	2481	2769	3351
120"	994	1147	1310	1477	1632	1787	1986	2187	2339	2339	2657	2966	3588
126"	1060	1222	1396	1574	1739	1905	2117	2331	2494	2494	2832	3161	3825
132"	1130	1303	1487	1677	1854	2030	2257	2485	2658	2658	3019	3370	4077

Shadings over 96" high must be fabricated with the Deluxe Headrail.  
Shadings over 96" in width may require additional fabrication and delivery time.

*Vienna Soft Sheer Horizontal  
Window Shadings*

*2" Vane  
Room Darkening Fabrics*

Height	Width	24"	30"	36"	42"	48"	54"	60"	66"	72"	84"	96"	114"
	36"	521	586	651	715	780	849	911	981	1051	1145	1288	1419
42"	548	621	689	761	833	907	981	1051	1129	1229	1374	1518	1851
48"	577	652	732	807	888	966	1048	1129	1209	1303	1462	1620	1982
54"	602	687	772	858	938	1027	1116	1209	1299	1381	1552	1735	2169
60"	633	721	812	903	990	1090	1191	1289	1389	1457	1648	1850	2321
66"	660	755	856	953	1051	1157	1264	1372	1481	1537	1753	1966	2467
72"	689	791	899	997	1110	1229	1337	1448	1561	1620	1853	2076	2626
78"	710	817	930	1042	1159	1283	1399	1520	1648	1698	1947	2184	2759
84"	818	938	1056	1188	1308	1423	1563	1703	1849	1923	2163	2397	2898
90"	850	973	1099	1236	1358	1481	1626	1776	1929	2002	2255	2498	3058
96"	878	1009	1141	1285	1413	1543	1695	1849	2009	2079	2343	2604	3213
102"	915	1051	1188	1338	1471	1606	1764	1924	2089	2164	2439	2711	3345
108"	952	1094	1237	1393	1532	1672	1837	2003	2173	2253	2539	2822	3482
114"	991	1138	1287	1450	1594	1740	1912	2085	2263	2345	2643	2938	3625
120"	1032	1185	1340	1510	1660	1812	1991	2171	2361	2441	2752	3059	3774

Shadings over 96" high must be fabricated with the Deluxe Headrail.  
Shadings over 96" in width may require additional fabrication and delivery time.

**VIENNA SOFT SHEER HORIZONTAL WINDOW SHADINGS SPECIFICATIONS**

**Sheer Fabrics**

The sheer fabrics feature light filtering vanes that add dimension to any room.

**Width and Height Dimensions**

Minimum Width: 12" Maximum Width: 114"  
Minimum Height: 12" Maximum Height: 132"\*

**Room Darkening Fabrics**

The room darkening fabrics feature room darkening vanes that provide light control and privacy.

**Width and Height Dimensions**

Minimum Width: 12" Maximum Width: 114"  
Minimum Height: 12" Maximum Height: 122"\*

\* For shadings measuring over 96" high, the Deluxe Headrail is required.

*Vienna Soft Sheer Horizontal  
Window Shadings*

**3" Vane**  
*Sheer and Brushed Vane Fabrics*

Height	Width	24"	30"	36"	42"	48"	54"	60"	66"	72"	84"	96"	114"
	36"	520	584	652	714	781	849	911	980	1147	1286	1418	1724
42"	548	620	688	762	833	909	980	1051	1226	1375	1518	1851	
48"	580	654	732	806	888	965	1048	1129	1306	1463	1620	1983	
54"	603	686	771	857	941	1027	1118	1209	1383	1550	1734	2170	
60"	631	725	812	901	992	1089	1187	1288	1457	1650	1848	2321	
66"	658	757	855	950	1051	1156	1264	1371	1537	1753	1965	2466	
72"	688	793	895	997	1110	1226	1337	1450	1620	1851	2079	2626	
78"	707	820	928	1042	1158	1281	1396	1519	1697	1943	2183	2760	
84"	737	855	966	1094	1218	1344	1476	1601	1786	2048	2300	2899	
90"	768	888	1011	1144	1279	1415	1546	1681	1870	2148	2416	3059	
96"	796	925	1054	1196	1337	1478	1617	1759	1959	2248	2533	3213	
102"	913	1057	1202	1359	1503	1642	1832	2011	2152	2445	2729	3302	
108"	962	1112	1264	1430	1580	1730	1927	2118	2266	2571	2872	3476	
114"	1020	1180	1343	1518	1681	1838	2044	2247	2405	2729	3046	3686	
120"	1094	1261	1441	1624	1795	1965	2185	2405	2573	2923	3262	3947	
126"	1166	1344	1535	1731	1913	2096	2328	2564	2743	3115	3477	4208	
132"	1243	1433	1636	1845	2039	2234	2483	2733	2924	3321	3707	4485	

Shadings over 96" high must be fabricated with the Deluxe Headrail.  
Shadings over 96" in width may require additional fabrication and delivery time.

*Vienna Soft Sheer Horizontal  
Window Shadings*

**3" Vane**  
*Room Darkening Fabrics*

Height	Width	24"	30"	36"	42"	48"	54"	60"	66"	72"	84"	96"	114"
	36"	574	645	716	787	858	934	1002	1079	1260	1417	1561	1896
42"	603	683	757	837	916	997	1079	1156	1352	1512	1670	2036	
48"	634	717	805	888	977	1063	1153	1242	1433	1608	1781	2181	
54"	663	756	849	944	1032	1129	1227	1329	1519	1707	1909	2386	
60"	697	793	894	993	1089	1199	1310	1418	1602	1813	2035	2553	
66"	726	830	941	1048	1156	1273	1390	1509	1691	1928	2162	2713	
72"	757	870	989	1097	1221	1352	1470	1593	1781	2038	2284	2889	
78"	781	898	1023	1146	1275	1411	1538	1672	1867	2142	2402	3035	
84"	900	1032	1162	1307	1439	1565	1719	1873	2115	2379	2637	3188	
90"	935	1070	1209	1359	1494	1629	1789	1953	2202	2481	2748	3364	
96"	966	1110	1255	1414	1555	1697	1864	2033	2287	2577	2865	3535	
102"	1006	1156	1307	1472	1618	1767	1941	2117	2381	2683	2982	3680	
108"	1047	1203	1360	1532	1685	1839	2021	2204	2478	2793	3105	3831	
114"	1090	1252	1416	1595	1754	1914	2103	2294	2580	2908	3232	3988	
120"	1135	1304	1474	1660	1826	1993	2190	2388	2686	3027	3364	4151	

Shadings over 96" high must be fabricated with the Deluxe Headrail.  
Shadings over 96" in width may require additional fabrication and delivery time.

**VIENNA SOFT SHEER HORIZONTAL WINDOW SHADINGS SPECIFICATIONS**

**Sheer Fabrics**

The sheer fabrics feature light filtering vanes that add dimension to any room.

**Width and Height Dimensions**

Minimum Width: 12" Maximum Width: 114"  
Minimum Height: 12" Maximum Height: 132"\*

**Room Darkening Fabrics**

The room darkening fabrics feature room darkening vanes that provide light control and privacy.

**Width and Height Dimensions**

Minimum Width: 12" Maximum Width: 114"  
Minimum Height: 12" Maximum Height: 122"\*

\* For shadings measuring over 96" high, the Deluxe Headrail is required.

# MOTORIZED VIENNA SHEER HORIZONTALS

---

Vienna Sheer Horizontals are motorized with a radio frequency system that can be operated with several control options.

## How to price a Motorized Vienna Shade

### Example:

Vienna 2" Light Filtering Vane 36" x 48" .....	\$666
Lift System Surcharge .....	\$674
Surcharge for 5 Channel Remote .....	\$227
Total: .....	\$1567

*\*Note that all standard discounts apply to the lift system and options*

## Surcharges

<u>Motor Surcharge</u> .....	\$674
------------------------------	-------

*\*The motor surcharge includes a standard 12 Volt battery wand with eight AA lithium batteries.*

*The remote's, wall switches and timers are sold separately and can be used in conjunction with one another.*

*Prices are as follows:*

### Battery Wand Upgrades

*48" Extension Wire .....	\$26
*96" Extension Wire .....	\$37

### Remote

*RTS 5 Channel Remote .....	\$227
-----------------------------	-------

### Wireless Wall Switches

*RTS 5 Channel Wall Switch-White .....	\$448
*RTS 5 Channel Wall Switch-Ivory .....	\$448

### Timers

*RTS Wireless Timer .....	\$460
*RTS Wireless Timer with Sun Sensor .....	\$694

### DC Power Supply

*12 Volt DC Power Supply .....	\$197
--------------------------------	-------

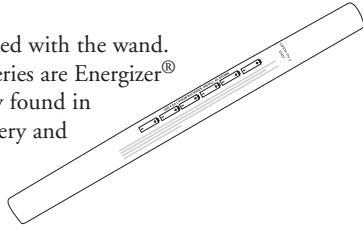
*\*Note that all standard discounts apply to the lift system and options*

### **Battery Life**

Battery life will vary depending on type of covering, the size and weight of the window covering and the number of times you operate the shade daily.

### **Battery Replacement**

Eight lithium batteries are included with the wand. Recommended replacement batteries are Energizer® AA lithium. These are commonly found in home improvement centers, grocery and hardware stores.



### **5 Channel RTS Remote**

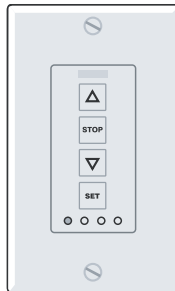
The 5 Channel Remote can operate up to five shades or groups of shades individually. The remote utilizes one 3V lithium battery and is included with your order.



### **5 Channel Wall Switch Option**

The RTS System has a wall switch option to operate the shades. The 5 Channel Switch can operate up to five shades or groups of shades individually. The switch is easy to install with a standard single gang electrical box and does not require any wiring. Overall dimensions: Height 4 1/2" Width 2 3/4" Depth 1 1/4". One 3V Lithium Battery is included in your order.

*\*Please specify white or ivory when ordering.*



### **RTS System Wireless Timer**

The RTS System Wireless Timer allows you to set specific times for your shades to be raised and lowered. The Timer can be programmed to operate at the same time or different times each day. The Wireless Timer also features a security function that will raise and lower shades randomly to give the impression of an occupied home. Commands are transmitted via radio frequency so external wiring is not necessary.

Overall dimensions: Height and Width 3 1/8" Depth 1". Two 1.5V DC (AAA) batteries are included in your order.



### **RTS System Wireless Timer with Sun Sensor**

The RTS System Wireless Timer with Sun Sensor has identical features to the timer above, but can also be programmed to raise and lower your shades according to the intensity of incoming sunlight.



### **DC Power Supply**

12 Volt DC Power Supply is available and requires a standard power outlet to run the shade's motor. The power supply plugs into the motor.

### **Battery Operated Motorized Shade Warranty**

The fabricator warrants its motors to be free from defects in material and workmanship under normal and proper use for a period of 5 years starting from the date stamped on the motor. Mechanical, electrical and electronic accessories are warranted for one year from the invoice date.

## Finished Dimensions For Vienna Horizontal Window Shadings

Once ordered and manufactured, the width of the fabric cannot be altered. Your fabricator makes deductions to the width of Window Shadings depending on the type of mounting indicated. For all mounting types, fabric will measure exactly the height ordered when the vanes are in the open or “view-through” position.

### Note on Specifications

Due to variations in fabric weave and environmental conditions, the finished dimensions for both width and height may vary, plus or minus 1/8”, from your order measurements.

#### Inside Mount

w Headrail\* will measure ordered width minus: 3/16”  
 w Fabric will measure ordered width minus: 1 1/8”

#### Side (End) Mount

• Headrail\* will measure ordered width minus: 1 1/16”  
 • Fabric will measure ordered width minus: 1 5/8”

#### Outside Mount

• Headrail\* will measure ordered width plus: 3/16”  
 • Fabric will measure ordered width minus: 3/4”

#### Exact End to End Mount

• Headrail\* will measure ordered width:  
 • Fabric will measure ordered width minus: 1 5/16”  
 • Width and height measurements may vary plus or minus: 1/8”

\* Headrail measurement includes end caps

## Headrail Options

Vienna Soft Sheer Horizontal Window Shadings are available with your choice of two headrail styles - Standard and Deluxe. Both headrail styles utilize the same easy-to-install mounting brackets.

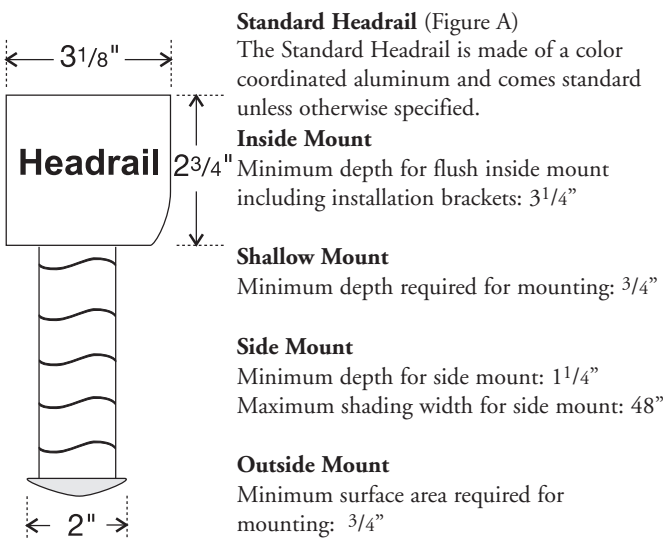


Figure A

The color coordinated aluminum headrail is now referred to as the Standard Headrail and is standard on all Vienna Window Shadings less than 96” in height unless otherwise specified.

## Deluxe Headrail (Figure B)

The Deluxe Headrail is white aluminum with a color coordinated aluminum insert. This headrail is required on Shadings over 96” long, but is available on all Vienna Window Shadings upon request.

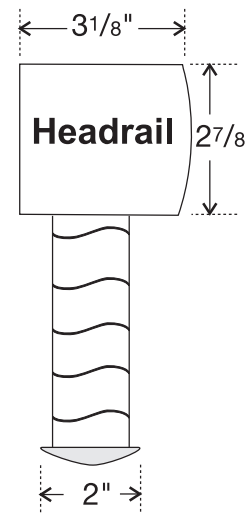


Figure B

#### Inside Mount

Minimum depth for flush inside mount including the installation brackets: 3 5/8”

#### Shallow Mount

Minimum depth required for mounting: 3/4”

#### Side Mount

Minimum depth for side mount: 1 1/4”  
 Maximum shading width for side mount: 48”

#### Outside Mount

Minimum surface area required for mounting: 3/4”

#### Headrail Inserts

The aluminum inserts for the Deluxe Headrail are available in the 16 Sheer colors. The five Room Darkening fabrics will be paired with the aluminum strips in the following colors:

#### Fabric Color

Arctic Ice 2100  
 Eggshell 2200  
 Dawn 2300  
 Cream 2400  
 Candlelight 2500

#### Insert Strip Color

Snow 1000  
 Pearl 1001  
 Stucco 1002  
 Pumice 1016  
 Pearl 1001

The Deluxe Headrail is required on Vienna Window Shadings over 96” height but can be used on any Vienna Window Shading upon request.

## Cord Information

Braided polyester cord styles will measure the height indicated below unless otherwise specified.

#### Shade Height

12” - 36”  
 36” - 48”  
 48” - 72”  
 72” - 96”  
 96” - 120”  
 120” - 132”

#### Standard Loop

2’ (24”)  
 3’ (36”)  
 4’ (48”)  
 5’ (60”)  
 6’ (72”)  
 7’ (84”)

Maximum cord heights:

- Polyester cord - 15 feet

Cord can be ordered in custom lengths in one foot increments only.

(Cord information continued on page 6)

## WARRANTY Information regarding

### Polyester Cord Operation

The braided polyester cord does not have a reverse roll stop. If a shade with a braided polyester cord is raised above 24" in the "reverse roll" mode, there is a possibility of the fabric rubbing on the headrail. Your fabricator reserves the right NOT to warrant wear and tear of fabric if damaged by roll-up in excess of 24".

## Design and Operation

### Fabric Collections

Vienna Sheer Window Shadings are available with two different fabric vanes. Vienna Sheer fabric gently filters light while room darkening casts deep room darkening shadows. Please note that room darkening is not a blackout fabric.

### Shading Operation

Vienna Window Shadings feature the Continuous Cord System. The Continuous Cord System provides the ability to manipulate the shading into various viewing positions. From the closed and retracted position (fabric inside the headrail), lower the fabric by pulling down on the rear of the loop cord until you reach the desired shading position. Once lowered completely to the window sill, continuing to pull the cord in the same direction will open the horizontal fabric vanes, offering varied views to the outside. Continuing to pull the cord in the same direction will lift the shading while still in the view-through mode. To retract the shading, simply pull down on the front of the cord until the shading reaches the desired viewing mode or fabric position.

## Viewing Options

The Continuous Cord System provides a number of varied views to the outside for controlling light and privacy. Consequently, there are variations in visibility through the shadings when the vanes are tilted to their maximum open positions. The following five modes can be obtained with standard shading operation when viewing the shading at eye level.

- **Closed top, open bottom** - By partially lowering the shading from the fully raised position, the upper portion of your window will become semi-opaque while allowing a clear view below.
- **Fully private** - When lowered completely, the shading provides complete privacy and softly diffuses light.
- **Partially open** - Opening the shading slightly will gradually increase the level of light and allow varying levels of "view-through."
- **View-through when lowered** - By completely opening the vanes, the shading provides a softened, veiled view to the outside.
- **View-through when raised** - From the open or view-through position, continuing to pull down on the back of the cord will raise the fabric allowing a clear view outside from below, and a veiled view above. This exclusive feature allows the shading to be raised up to 24" in this mode.

**Please refer to the Warranty Information Regarding Polyester Cord section for important details on the polyester cord.**

### Vane Closure (Figure C)

Vienna Window Shadings fabric vanes overlap and provide privacy when closed. However, the inherent nature of the fabric will cause a slight increase in the distance from the front sheer to back sheer as you move further down the shading. These vanes do not form a perfect seal against light leakage which is most visible toward the bottom of the shading.

Vane closure is measured as the distance between the front and rear fabric sheers 6" up from the lowest point of the bottom rail, with the shading fully lowered and the vanes closed. For sheer shadings, the maximum distance from the front sheer to the back sheer when closed is 7/8". On room darkening fabrics, the distance is 5/8". Vane closure on all 3" fabrics will have a distance of 1"



**Figure C**

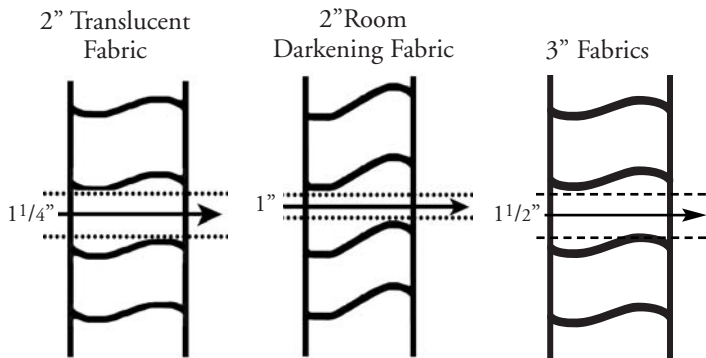
### Side by Side Alignment

When Vienna Window Shadings are installed side-by-side, vane alignment can be guaranteed within 1/4" only if:

- The shadings are the same color and ordered at the same time.
- The sum total of the widths of all shades needing alignment is less than 102".
- Side-by-side lineup must be specified when the order is placed.

## Vane Opening

Vanes on the style of Vienna fabrics open to slightly different degrees. Consequently, there are variations in visibility through the shadings when the vanes are tilted to their maximum open positions. The variations among the products are shown in the below illustration when looking through the shading  $\frac{1}{4}$  of the way up from the bottom.



## Leveling Vienna Window Shadings

Vienna Window Shadings are leveled and weighted in the factory. When installed level, the fabric will not skew when raised. If the headrail is not installed level, skewing can occur that can damage the edge of the fabric. Be sure to follow the installation instructions carefully to ensure correct and balanced operation.

## Hardware

### Hold Down Brackets

Hold down brackets are made of a clear plastic which fit into holes in the endcap of the bottom rail. Hold downs are generally used to secure the bottom of the window shading to prevent swaying.

### Extension Brackets

Extension or "L" brackets are available which can be used to project the back of the shading  $4\frac{1}{4}$ " from the mounting surface.

### Spacer Blocks

Spacer blocks project the shading  $\frac{3}{8}$ " from the mounting surface. Use spacer blocks to obtain clearance when obstructions, such as window cranks or door handles, obstruct the movement of the shading.

### Cord Tensioner

The cord tensioner keeps the cord taut to prevent children and pets from entangling and subsequently injuring themselves. It also allows the bead chain and roll stop to pass through easily, as well as the polyester cord. Cord tensioners must be used for this product to comply with the Consumer Product Safety Commission (CPSC) Child Safety guidelines.

## Important Measuring Guidelines For Vienna Horizontal Window Shadings

- Precise width and height measurements are critical. Fabric width cannot be altered after the shading is fabricated.
- Please use a metal tape measure for accuracy from home to factory.
- The headrail must be installed perfectly level and installed evenly to ensure smooth operation. On an inside mount, it is recommended that you check to see that the mounting surface is level and consistent. If your soffit needs to be leveled, this should be done before measuring.

## Length Considerations

Your fabricator will fabricate your Vienna Window Shading to the exact height ordered, when the vanes are in the open (or view-through) position. When the vanes are rotated to the closed position, the shading will become  $\frac{3}{8}$ " longer.

When closed on an inside mount, a slight puckering may occur on the lower most sheer section because of contact with the sill. To compensate, slightly raise the shading until the rail begins to lift off the window sill.

If preferred, the shading can be ordered  $\frac{3}{8}$ " less than the measured height of the window opening. In this case, the bottom rail will be positioned  $\frac{3}{8}$ " above the sill when the vanes are in the open position. (Figure D) Rotating the vanes closed will cause the bottom rail to touch the window sill, closing any space.

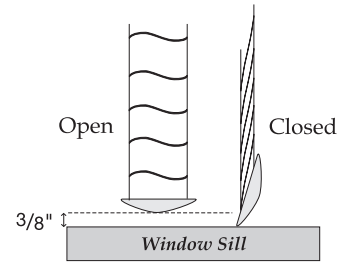
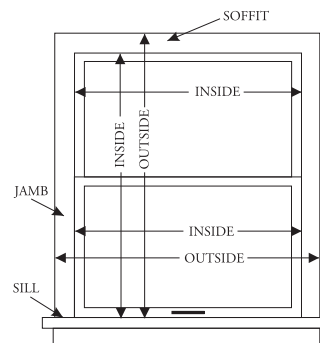


Figure D

## Measuring Instructions For Vienna Horizontal Window Shadings



### Inside Mount

Measure across the width of your window opening in three different places - top, middle and bottom. Measurements should be taken within the window jamb. Provide the smallest of the three measurements to your fabricator. Be exact. Your fabricator will make the necessary deductions to fit the window opening.

Measure the height of the window opening from the underside of the soffit to the surface of the window sill in two places - use the smallest of these two measurements.

### Side Mount

Vienna may be side mounted using "L" brackets. For side mounts, follow the instructions for inside mounts. An additional  $\frac{1}{2}$ " will be taken off the standard inside mount deduction to allow room for the "L" brackets.

The maximum shade width utilizing the side mount option is 48".

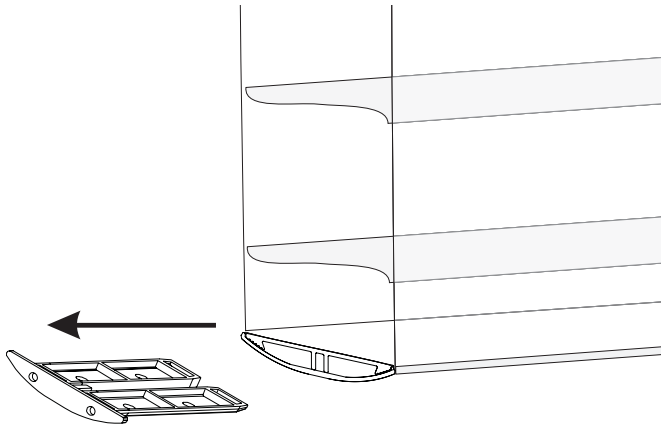
### Outside Mount

Measure the exact width and height of the area to be covered. On the width, allow at least  $1\frac{1}{2}$ " of an overlap on each side. An overlap of 3" on each side is recommended.

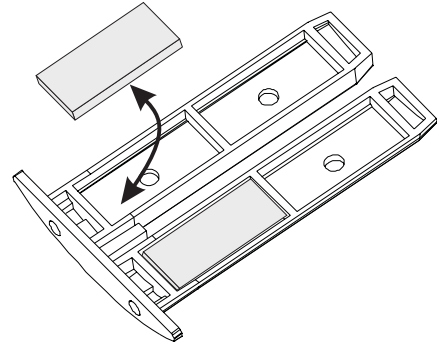
Be sure to take into consideration any obstructions such as window trim, molding, locks and window cranks.

## Skew Adjusting Bottom Rail

After installation, windows that are not square and level may cause the shadings to shift to one side as it rolls up, requiring adjustment of the bottom rail. Bottom rail endcaps are weighted with two weights on each side. Remove endcap from rail on finished shading. Weights are added or removed to adjust skewing. Add weight to the side the fabric shifts to, or remove weight from the opposite side.



Remove endcap from rail on finished shade



Add or remove weights to adjust



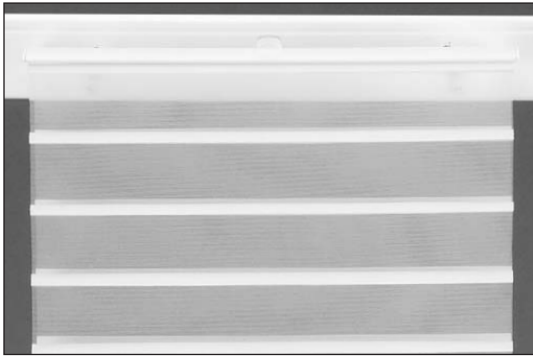
## Vienna Tilt Only Soft Sheers

Cover your Sidelights, Transoms or French Doors with a Tilt-Only Sheer. Tilt-Only Sheer feature a narrow headrail that can easily mount to a window frame or door with unobtrusive hinges. An operating handle will allow you to tilt the vanes from opened to fully closed.

Vienna Soft Sheers light filtering and room darkening fabric collections are available with the tilt-only option.

Rails and end caps on Tilt-Only Soft Sheers are matched to your fabric color selection.

Soft Sheers hinges and operating handles are available in three colors: white, brushed silver and brass to coordinate to traditional hardware. Please specify your color choice when ordering.



Tilt Only  
Sidelight Open



Tilt Only  
Sidelight Closed

## Width and Height Dimensions

### Tilt-Only Shadings

Minimum Width: 6"  
Minimum Height: 12"

Maximum Width: 72"  
Maximum Height: 96"

\*Note: Shades over 72" high are limited to a maximum of 36" in width.

### Finished Dimensions Tilt-Only Shadings

#### Inside Mount

-Headrail\* will measure ordered width minus: 3/16"  
-Fabric will measure ordered width minus: 5/16"

#### Outside Mount

-Headrail\* will measure ordered width plus: 3/16"  
-Fabric will measure ordered width  
(width and height measurements may vary plus or minus 1/8")

#### Exact Mount

-Headrail\* will measure ordered width  
-Fabric will measure ordered width minus: 3/16"  
(width and height measurements may vary plus or minus 1/8")

Side Mount is not available for Tilt-Only Shadings

\*Headrail measurements include end caps.

## Mounting Requirements for Tilt-Only Soft Sheers

### Inside Mount

Minimum depth for flush inside mount including installation hinges: 2 5/8"

### Shallow Mount

Minimum depth required for mounting: 1 1/2"

### Outside Mount

Minimum surface area required for mounting: 3/4"

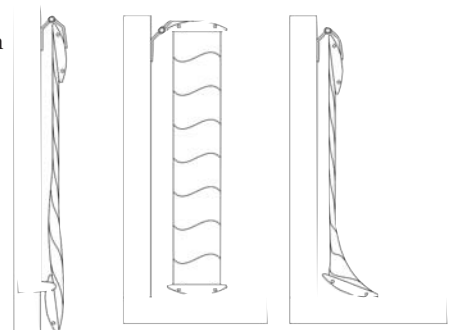
Side Mount is not available for Tilt-Only Shadings

### Height Considerations

Your fabricator will fabricate your Tilt-Only Soft Sheers to the exact height ordered when the vanes are in the open (or view through) position. When the vanes are tilted to the closed position, the shading will become 1 3/4" longer.

When closed on an inside mount or when used with hold down brackets, a slight puckering may occur.

Please refer to drawings.



## Vienna Tilt-Only Soft Sheers

## 2" Vane Sheer, Linen Print and Brushed Vane Fabrics

Height	Width	6"	12"	18"	24"	30"	36"	42"	48"	54"	60"	66"	72"
	12"	401	410	420	430	480	539	580	592	657	670	683	812
18"	402	415	426	438	491	554	598	613	682	699	715	853	
24"	404	418	432	446	502	569	616	634	708	726	746	892	
30"	407	423	439	454	513	584	635	654	733	755	776	931	
36"	409	426	445	473	532	593	649	710	773	829	891	1044	
42"	438	460	481	499	563	624	693	757	826	891	955	1113	
48"	451	475	499	528	594	666	733	806	877	953	1027	1186	
54"	463	490	518	548	623	701	779	856	934	1017	1100	1258	
60"	476	506	536	574	659	738	819	901	992	1079	1171	1325	
66"	503	536	571	598	689	777	864	955	1051	1150	1246	1397	
72"	518	556	593	624	721	814	907	1008	1113	1215	1317	1473	
78"	532	572	613	643	746	843							
84"	548	592	635	670	777	879							
90"	564	610	658	697	806	919							
96"	580	630	681	724	841	958							

## Vienna Tilt-Only Soft Sheers

## 2" Vane Room Darkening Fabrics

Height	Width	6"	12"	18"	24"	30"	36"	42"	48"	54"	60"	66"	72"
	12"	441	451	462	473	527	593	638	651	723	737	752	893
18"	443	456	469	482	540	609	658	674	751	768	787	938	
24"	445	460	475	491	551	626	678	697	778	799	820	981	
30"	447	466	483	499	564	642	699	721	806	831	854	1024	
36"	449	469	489	520	586	650	715	780	849	912	980	1147	
42"	482	506	529	548	621	689	761	832	907	980	1051	1229	
48"	496	522	549	576	651	732	806	888	967	1048	1129	1303	
54"	510	539	570	601	688	773	858	938	1026	1114	1209	1381	
60"	524	557	590	635	721	813	904	992	1089	1191	1289	1457	
66"	553	590	628	661	755	856	953	1051	1157	1264	1372	1537	
72"	570	612	652	689	791	898	997	1110	1229	1337	1448	1620	
78"	585	629	674	710	817	930							
84"	602	651	699	818	938	1056							
90"	621	672	724	850	973	1100							
96"	638	693	749	879	1008	1140							

### Cleaning and Care

The soft, delicate feel of the fabric belies the durability of the material. It is made from a sturdy, knitted polyester fabric which can be feather dusted or vacuumed at a low setting. Spots or stains can be lightly rubbed clean with a damp sponge and mild soap. To avoid discoloration of the material, we recommend against the use of chemical cleaners. The sheer fabric may also be ultrasonically cleaned.

### Child Safety

Tilt-Only Sheers have no cords making them inherently safe for children and pets.

### Vienna Horizontal Warranty Information

#### Sheer Fabric

Knitted fabric may experience minor weave variations due to heat, humidity and other room conditions. These variations can result in light bowing, puckering and dimpling of the material. This is considered normal and does not constitute a failure in either workmanship or materials. The possible variations are minor and have been shown through case study, not to detract from the beauty of the product.

*Vienna Tilt-Only Soft Sheers*

**3" Vane**  
*Sheer and Brushed Vane Fabrics*

Height	Width	6"	12"	18"	24"	30"	36"	42"	48"	54"	60"	66"	72"
	12"	441	451	462	473	527	593	638	651	723	737	752	893
18"	443	456	469	482	540	609	658	674	751	768	787	938	
24"	445	460	475	491	551	626	678	697	778	799	820	981	
30"	447	466	483	499	564	642	699	721	806	831	854	1024	
36"	449	469	489	520	585	652	714	781	849	911	980	1148	
42"	482	506	529	549	620	687	762	834	909	980	1050	1224	
48"	496	522	549	580	654	733	806	888	965	1047	1129	1306	
54"	510	539	570	602	686	771	857	941	1026	1118	1209	1383	
60"	524	557	590	630	725	812	901	992	1090	1186	1288	1457	
66"	553	590	628	658	757	856	951	1050	1156	1265	1372	1536	
72"	570	612	652	687	793	895	997	1110	1224	1336	1450	1621	
78"	585	629	674	708	820	928							
84"	602	651	699	737	856	967							
90"	621	672	724	768	887	1010							
96"	638	693	749	796	926	1053							

*Vienna Tilt-Only Soft Sheers*

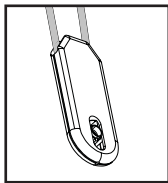
**3" Vane Room**  
*Darkening Fabrics*

Height	Width	6"	12"	18"	24"	30"	36"	42"	48"	54"	60"	66"	72"
	12"	485	496	509	520	580	652	702	716	795	811	827	982
18"	487	502	517	531	594	671	724	741	826	844	865	1032	
24"	489	506	522	540	607	688	746	767	856	879	902	1080	
30"	492	512	532	549	621	705	768	792	887	914	939	1126	
36"	495	517	537	574	645	715	788	858	935	1003	1079	1261	
42"	531	557	583	602	683	757	837	915	997	1079	1156	1353	
48"	546	575	604	632	716	805	888	978	1063	1154	1242	1434	
54"	561	593	627	661	756	849	943	1032	1129	1226	1329	1519	
60"	576	613	649	697	793	894	994	1090	1198	1309	1419	1602	
66"	608	649	689	727	830	941	1047	1156	1273	1390	1509	1691	
72"	627	673	717	757	870	989	1097	1221	1353	1470	1594	1781	
78"	643	693	741	781	898	1023							
84"	663	716	768	899	1032	1161							
90"	682	739	796	936	1070	1209							
96"	702	762	824	967	1110	1253							

## Child Safety

Be aware that it is possible for children to become entangled in window covering's cords. To reduce the risk of accidents, all cords must be kept out of the reach of children.

The cord tensioner used on Vienna continuous cord loops keeps the cord taut to prevent children and pets from entangling and subsequently injuring themselves.



*Cord tensioner  
used on Vienna  
Horizontal*

## Vienna Horizontal Warranty Information

### Sheer Fabric

Knitted fabric may experience minor weave variations due to heat, humidity and other room conditions. These variations can result in light bowing, puckering and dimpling of the material. This is considered normal and does not constitute a failure in either workmanship or materials. The possible variations are minor and have been shown through case study, not to detract from the beauty of the product.

### Warranty Information Regarding the Polyester Cord Option on Vienna Soft Sheer Horizontals

Unlike its bead chain counterpart, the braided polyester cord does not have a "reverse roll" stop. If a shade with a braided polyester cord is raised above 24" in the "reverse roll" mode, there is a possibility of the fabric rubbing on the headrail. Your fabricator reserves the right NOT to warrant wear and tear of fabric if damaged by roll-up in excess of 24".

### Warranty Information for Battery Operated Motorized Vienna Soft Sheer Horizontals

The manufacturer warrants its motors to be free from defects in material and workmanship under normal and proper use for a period of five years starting from the date stamped on the motor. Mechanical, electrical and electronic accessories are warranted for one year from date of invoice.

### Vienna Soft Sheer Horizontal and Vertical Limited Lifetime Warranty

The manufacturer warrants that Vienna Soft Sheer Horizontals will be free from defects in materials and workmanship for as long as the original purchaser owns the product, provided that the product was installed properly and in accordance with the installation instructions.

This limited lifetime warranty is extended to the original purchaser only, in the original window for which it was intended. This warranty does not include any conditions or damages resulting from accidents, alterations, misuse, or failure to follow printed instructions on installation, cleaning and care, or repairs. This warranty also does not cover conditions resulting from normal wear and tear. Cords are considered a wearable part and carry a three year limited warranty. To obtain service, contact the dealer from whom you purchased the product. The manufacturer will work with the dealer to repair or replace defective parts or components with similar or like parts at no charge. **THIS WARRANTY IS EXCLUSIVE AND IN LIEU OF ALL OTHER OBLIGATIONS, LIABILITIES OR WARRANTIES.** In no event shall Turnils or its licensed fabricators or distributors be liable for **INCIDENTAL OR CONSEQUENTIAL DAMAGES**, or for any other damage, loss or expense, cost or fee associated with such damage. In some states, exclusions for incidental or consequential damages are not allowable. This warranty gives you specific legal rights, and you may have additional rights that vary from state to state.

## Conditions of Sale

All products are custom fabricated to your exact specifications. We cannot accept responsibility for errors in ordering or cancellations and charges after the order is in production.

## Policies

*Our policies are designed to provide a guide for doing business with your fabricator. Our first priority and number one policy is to provide the highest level of service and total satisfaction.*

## Freight

On orders for fabricated Vienna Horizontal Window Shadings, our standard policy is to ship freight free via UPS Ground or other similar method within the continental US. The manufacturer reserves the right to select another carrier, modify shipping terms or change freight policies without notice.

## Service and Repair

Service may be obtained by contacting our Customer Service Department. No products, parts, components or other materials will be authorized for return or repair without prior approval from the manufacturer. A *Return Authorization (RA)* may be obtained by contacting our Customer Service Department. In order to provide the quickest service possible, please have your *Work Order* number and original order information available when you call.



