

KENSINGTON

WINDOW EXPRESSIONS™

K2411



Product Reference & Price Guide

Alternative Wood

May 2008



TABLE OF CONTENTS

Program Summary..... 3

Product Specifications..... 4-5

Valance Options 6

How to Order 7

Price Grids 8-12

Specifications and Finished Dimensions 13-15

Motorization 16

Measuring Guidelines 17

Kensington Alternative Wood Order Form 18

Child Safety 20

Care and Cleaning 20

Warranty Information 20



Kensington Alternative Wood Program Summary

KENSINGTON ALTERNATIVE WOOD BLINDS have the rich, natural look of real wood, but are fabricated from materials that offer advantages over wood. Alternative wood slats will not warp or crack, even in hot, humid conditions, making these blinds ideal for applications such as bathrooms and kitchens. The finish is always even and will not fade, and alternative wood blinds are more economical than wood blinds.

Kensington Alternative Wood Blinds are made from a unique material and offer a choice of attractive styles, features and options.

ALTERNATIVE WOOD BLINDS

Made from a combination of natural and man-made materials, Alternative Wood blinds come in the following styles:

- 2 1/2" Shutter Slat Blinds
- 2 1/2" Beveled Slat
- 2" Contour Slat Blinds
- 2" Flat Slat Blinds



PRODUCT SPECIFICATIONS

Kensington Alternative Wood Blinds are made from a patented wood-alternative material that combines the natural richness of real wood and the durability of advanced-engineered materials. The result is a wood blind of unparalleled quality that is guaranteed for a lifetime.

- Durable polymer coating resists cracking and chipping, and is 100% UV stable so the color won't fade over time.
- Four distinctive slat styles:
 - Classic 2-inch slats.
 - 2" S-shaped Contour slat.
 - 2 1/2" Shutter slat.
 - 2 1/2" Beveled slat
- Alternative Wood material is resistant to heat and humidity, making Kensington Alternative Wood Blinds perfect for bathrooms and high humidity areas like oceanfront windows.
- Anti-static finish repels dust.
- Blinds are fully washable, and can be submerged for easy cleaning.
- Available in a selection of popular whites, and classic wood tones.
- Choose either cord tilt or optional wand tilt.
- The elegant Crown valance is standard on Alternative Wood Blinds.
- Contemporary trapezoidal bottom rail provides better light control when blind is lowered.
- Available with color-matched braided ladders, or with cloth Fashion Trim and Decorative Tape.
- A choice of other custom features like side cut-outs and two-on-one or three-on-one headrails.



Lifetime Limited Warranty.



2 1/2" SHUTTER & BEVELED SLATS

Kensington Alternative 2 1/2" Shutter and Beveled Slats provide a spacious view, combining the gracious look of shutters with the ease and function of a blind. The louver style slat ensures a tighter slat closure. This unique design offers a clearer open view with minimal visual distraction.

- Choice of 10 colors in whites and wood tones.
- Routed slats standard.
- Optional Cloth Fashion Tapes in 6 colors.
- Alternative Wood Crown Valance standard.
- Cord tilt standard, wand tilt not available.



2" CONTOUR SLATS

Add a touch of the contemporary to the natural beauty of wood with a unique "S"-slat variation to ordinary flat slat blinds.

- Choice of 15 colors in whites and wood tones.
- Routed slats standard.
- Optional Fashion Tapes in 20 colors.
- Alternative Wood Classic Valance standard.
- Alternative Wood Crown Valance optional.
- Cord tilt standard or wand tilt optional.

PRODUCT SPECIFICATIONS

**2"
FLAT
SLATS**

The classic look of wood blinds with slats that are flat and smooth finished, combined with the durability of Alternative Wood Composite technology.

- Choice of 15 colors in whites and wood tones.
- Routed slats standard.
- Optional Fashion Tapes in 20 colors.
- Alternative Wood Classic Valance standard.
- Alternative Wood Crown Valance optional.
- Cord tilt standard or wand tilt optional.



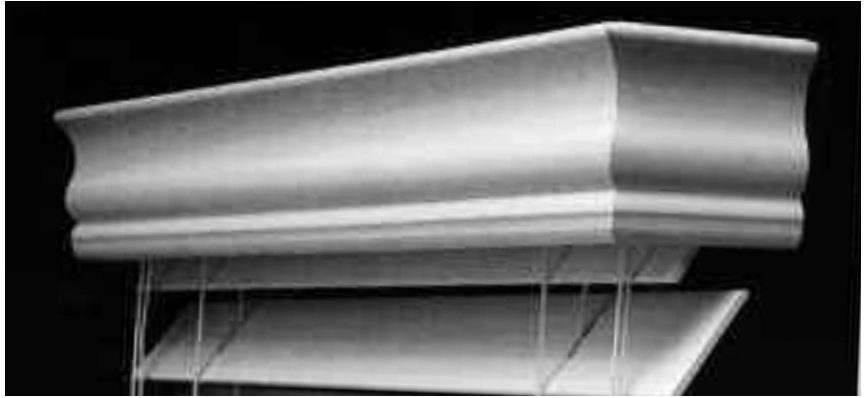
2" Contoured Slat profile.



FEATURES AND OPTIONS

ACCESSORY PROFILES**ALTERNATIVE WOOD
CROWN VALANCE**

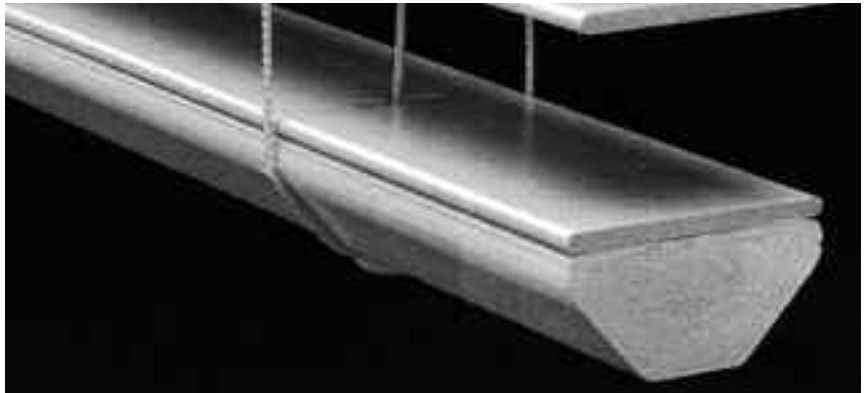
- The Alternative Wood Crown Valance is 3" high and color matched to the blind's slats.
- Two 2 1/2" returns are provided for outside mounts.



Alloy Wood Crown Valance

**TRAPEZOID
BOTTOM RAIL**

All Kensington Alternative Wood blinds feature a distinctive matching Trapezoid Bottom Rail that provides tighter closure to the windowsill when the blind is fully lowered.



Trapezoid Bottom Rail

HOW TO ORDER

When ordering Kensington Alternative Wood Blinds, make sure to provide all the necessary information on the form, including:

- Desired blind style
- Correct size: width x length
- Color name and color number
- Base price - determined by price chart
- Surcharges
- Side Cut-outs
- Multiple blinds-on-one headrail
- Desired Valance
- Type of Mounting the blind requires:
 - Inside (IB)
 - Outside (OB)
- Control Position (Left or Right) for tilt & lift cords. Specify cord tilt or wand tilt (*cord tilt standard*)
- Extension Brackets or Spacer Blocks for desired window/wall clearance will be supplied at no charge upon request

Specifications for:

- Multiple Blinds on One Headrail (*width and position of each blind*)
- Side Cut-outs (*include diagram*)
- Hold Down Brackets will be supplied, if specified, at no additional charge.

KENSINGTON
WINDOW EXPRESSIONS™

ALTERNATIVE WOOD BLINDS ORDER FORM

DATE _____
P.O. NO. _____
SIDEMARK _____

CHARGE TO CUSTOMER	
NAME	
ADDRESS	
CITY	
STATE	ZIP

SHIP TO:
PHONE () -

KENSINGTON ORDER #
CUSTOMER P.O. #
PAGE ____ OF ____

APPROXIMATE STANDARD DEDUCTIONS
ALL BLINDS
IB - WIDTH 1/2"
OB - WIDTH ZERO

SPECIAL INSTRUCTIONS:

LINE	QTY	IB/ OB	LENGTH	COLOR		CONTROL POSITION			CONT CORD *	Y/N	RETURN SIZE	CLOTH TAPE *			HOLD DOWNS	ADDITIONAL OPTIONS
				NAME	NUMBER	CORD TILT	WAND	LIFT CORD				SIZE	STYLE	COLOR / #		
1																
2																
3																
4																
5																
6																
7																

PLEASE CHECK
<input type="checkbox"/> BUTTER
<input type="checkbox"/> 2" BEELED SLATS
<input type="checkbox"/> 2" CONTOUR SLATS
<input type="checkbox"/> 2" FLAT SLATS

SAMPLE FORM

ORDERED BY

For orders placed by phone, dealers will assume all responsibility. Custom orders cannot be canceled once they are in production. 11/03 K3807

PRICE GROUP **A1** **2 1/2" SHUTTER SLATS - WHITES** •Routed Slats with Braided Ladders
2 1/2" BEVELED SLATS - WHITES

Height To:	Width:	24"	30"	32"	36"	42"	48"	54"	60"	66"	72"	78"	84"	96"
	30"	86	104	109	122	133	153	171	193	206	219	249	265	294
36"	100	118	124	136	149	166	190	215	231	243	272	291	328	
42"	105	129	136	150	165	186	212	240	254	270	303	327	370	
48"	120	144	149	164	182	204	233	261	282	303	337	366	418	
54"	132	157	164	178	202	225	258	289	315	339	379	408	461	
60"	145	170	178	194	220	248	285	316	348	366	417	448	501	
66"	157	182	190	208	240	270	312	348	382	402	457	492	540	
72"	173	194	204	223	261	295	339	381	410	434	492	529	583	
78"	178	204	215	240	275	314	358	401	435	467	529	569	630	
84"	190	219	232	258	295	337	382	421	457	502	567	610	675	
90"	204	235	248	274	315	360	408	448	489	536	601	652	722	
96"	211	245	260	287	333	379	432	477	522	571	643	697	771	
102"	220	260	275	306	354	404	459	513	552	606	690	742	821	
108"	232	274	289	322	373	425	485	536	584	646	734	787	870	
114"	243	286	304	340	394	450	511	565	615	680	780	833	924	
120"	256	302	320	357	414	472	536	601	656	730	825	878	979	

Kensington strongly recommends sizes within the boxed area be Two-on-One or Three-on-One headrail.

PRICE GROUP **A2** **2 1/2" SHUTTER SLATS - WHITES** •Routless Slats with Braided Ladders
2 1/2" BEVELED SLATS - WHITES

Height To:	Width:	24"	30"	32"	36"	42"	48"	54"	60"	66"	72"	78"	84"	96"
	30"	95	114	121	134	147	167	187	212	226	240	272	291	323
36"	109	130	135	150	163	183	209	236	253	266	298	320	360	
42"	115	141	150	164	181	204	233	263	279	297	332	358	407	
48"	131	157	163	180	200	224	256	286	309	332	370	402	459	
54"	145	173	180	196	220	246	283	317	346	371	416	448	505	
60"	158	186	196	213	242	271	312	347	383	402	458	492	550	
66"	173	200	209	229	263	297	343	383	419	442	501	540	593	
72"	189	213	224	243	286	324	371	417	449	475	540	580	640	
78"	196	224	236	263	302	344	393	440	477	512	580	625	692	
84"	209	240	255	283	324	370	419	462	501	551	622	671	740	
90"	224	258	271	301	346	394	448	492	537	588	659	717	792	
96"	232	269	285	315	366	416	474	524	573	626	705	764	846	
102"	242	285	302	335	389	443	502	563	606	666	757	813	901	
108"	255	301	317	354	410	466	531	588	642	708	806	864	956	
114"	266	314	334	373	433	494	561	620	675	747	856	914	1013	
120"	281	331	352	392	454	518	588	659	721	802	905	963	1074	

Kensington strongly recommends sizes within the boxed area be Two-on-One or Three-on-One headrail.

ALTERNATIVE WOOD CROWN VALANCE is standard on all 2 1/2" Shutter Slat Blinds.

*Two-on-One and Three-on-One Headrail Blinds: Price each blind individually and add together.
 End Cut-outs: Add \$20.00 per side. (Maximum cut-out width is 4") Check with your fabricator for availability.*

MOTORIZATION SURCHARGE*

Standard Tilt Motor	\$ 231	(maximum blind size approximately 19 sq. ft.)
Heavy Duty Tilt Motor	\$ 257	(maximum blind size approximately 38 sq. ft.)
Remote Control	\$ 62	
10" Satellite Eye	\$ 34	

*See page 16 for specifications and details.

PRICE GROUP **A3** **2 1/2" SHUTTER SLATS - WOOD TONES** •Routed Slats with Braided Ladders
2 1/2" BEVELED SLATS - WOOD TONES

Height To:	Width:	24"	30"	32"	36"	42"	48"	54"	60"	66"	72"	78"	84"	96"
	30"	90	109	115	128	139	160	179	203	215	230	261	278	309
36"	105	124	130	142	156	175	200	226	241	255	285	306	343	
42"	110	135	142	157	174	196	223	252	266	284	317	342	389	
48"	125	150	156	172	190	214	244	274	295	317	354	385	438	
54"	138	164	172	186	211	236	270	303	331	356	397	428	484	
60"	152	178	186	204	232	259	298	332	365	385	437	470	525	
66"	164	190	200	218	252	284	328	365	400	422	479	516	567	
72"	181	204	214	233	274	310	356	399	430	454	516	554	612	
78"	186	214	226	252	288	329	375	421	456	489	554	597	661	
84"	200	230	243	270	310	354	400	441	479	527	594	641	707	
90"	214	246	259	287	331	378	428	470	513	562	630	684	757	
96"	222	258	272	302	349	397	452	501	547	598	674	731	808	
102"	232	272	288	320	371	423	480	538	579	636	724	778	860	
108"	243	287	303	338	392	445	509	562	613	677	771	826	913	
114"	255	300	319	357	414	472	536	593	645	713	818	874	968	
120"	268	316	336	374	434	495	562	630	688	765	865	920	1026	

Kensington strongly recommends sizes within the boxed area be Two-on-One or Three-on-One headrail.

PRICE GROUP **A4** **2 1/2" SHUTTER SLATS - WOOD TONES** •Routless Slats with Braided Ladders
2 1/2" BEVELED SLATS - WOOD TONES

Height To:	Width:	24"	30"	32"	36"	42"	48"	54"	60"	66"	72"	78"	84"	96"
	30"	99	121	127	141	154	176	197	223	237	253	287	306	339
36"	115	136	142	157	172	192	219	249	266	281	314	336	378	
42"	122	149	157	173	190	214	245	277	293	312	349	376	427	
48"	137	165	172	189	210	235	269	302	326	349	389	423	483	
54"	152	181	189	205	232	259	297	333	364	391	437	471	531	
60"	166	196	205	225	255	285	329	365	402	423	480	517	578	
66"	181	210	219	240	277	312	361	402	441	465	527	567	623	
72"	199	225	235	256	302	341	391	439	472	499	567	610	673	
78"	205	235	249	277	317	362	413	463	501	538	610	656	727	
84"	219	253	267	297	341	389	441	486	527	579	653	705	778	
90"	235	270	285	315	364	415	471	517	564	618	694	753	833	
96"	243	284	300	332	385	437	498	551	602	658	742	804	889	
102"	255	300	317	353	409	466	528	591	638	700	796	855	946	
108"	267	315	333	371	431	490	558	618	674	745	848	908	1005	
114"	281	330	350	392	454	519	590	652	709	785	900	961	1065	
120"	294	347	370	412	477	545	618	694	757	842	952	1012	1129	

Kensington strongly recommends sizes within the boxed area be Two-on-One or Three-on-One headrail.

ALTERNATIVE WOOD CROWN VALANCE is standard on all 2 1/2" Shutter Slat Blinds.

*Two-on-One and Three-on-One Headrail Blinds: Price each blind individually and add together.
 End Cut-outs: Add \$20.00 per side. (Maximum cut-out width is 4") Check with your fabricator for availability.*

MOTORIZATION SURCHARGE*

Standard Tilt Motor	\$ 231	(maximum blind size approximately 19 sq. ft.)
Heavy Duty Tilt Motor	\$ 257	(maximum blind size approximately 38 sq. ft.)
Remote Control	\$ 62	
10" Satellite Eye	\$ 34	

*See page 16 for specifications and details.

PRICE GROUP **B1** **2" CONTOUR SLATS - WOOD TONES** •Routed Slats with Braided Ladders

Height To:	Width:	24"	30"	32"	36"	42"	48"	54"	60"	66"	72"	78"	84"	96"
	30"	75	90	95	106	115	132	148	167	178	189	215	230	255
36"	86	102	107	118	129	145	164	186	200	210	235	253	284	
42"	92	111	118	130	142	161	184	208	219	234	262	282	320	
48"	103	124	129	141	157	177	202	226	243	262	292	317	362	
54"	114	136	141	154	174	194	224	250	272	293	328	354	398	
60"	125	147	154	168	191	214	246	274	302	317	361	388	434	
66"	136	157	164	180	208	234	270	302	331	348	395	425	467	
72"	149	168	177	192	226	256	293	329	355	374	425	458	504	
78"	154	177	186	208	238	271	310	347	376	404	458	493	545	
84"	164	189	201	224	256	292	331	364	395	435	490	528	583	
90"	177	203	214	237	272	311	354	388	423	464	520	565	625	
96"	183	212	225	249	288	328	373	413	451	494	556	603	667	
102"	191	225	238	264	307	349	396	443	478	525	597	642	710	
108"	201	237	250	279	323	367	419	464	505	558	635	681	753	
114"	210	248	263	294	341	389	442	489	532	589	675	721	799	
120"	222	261	278	309	358	409	464	520	568	632	713	759	847	

Kensington strongly recommends sizes within the boxed area be Two-on-One or Three-on-One headrail.

PRICE GROUP **B2** **2" CONTOUR SLATS - WOOD TONES** •Routless Slats with Braided Ladders
•Cloth Fashion Tape

Height To:	Width:	24"	30"	32"	36"	42"	48"	54"	60"	66"	72"	78"	84"	96"
	30"	85	104	109	122	133	152	171	192	205	218	248	264	293
36"	100	118	123	135	148	166	189	214	230	242	271	290	327	
42"	105	129	135	150	164	185	211	239	253	269	302	326	369	
48"	119	142	148	163	181	204	232	260	281	302	336	365	416	
54"	131	156	163	177	201	224	257	288	314	338	378	407	460	
60"	144	168	177	193	219	246	284	315	347	365	415	447	499	
66"	156	181	189	208	239	269	311	347	381	401	456	490	538	
72"	172	193	204	222	260	294	338	379	408	432	490	527	581	
78"	177	204	214	239	274	313	357	399	433	465	527	567	628	
84"	189	218	231	257	294	336	381	419	456	500	565	608	672	
90"	204	234	246	272	314	358	407	447	487	534	599	650	720	
96"	210	244	259	286	332	378	431	476	520	569	641	695	768	
102"	219	259	274	305	353	402	457	511	550	604	687	738	817	
108"	231	272	288	321	372	423	483	534	582	643	732	784	867	
114"	242	285	303	339	393	448	509	563	613	678	777	830	919	
120"	255	301	319	356	412	470	534	599	654	728	822	875	976	

Kensington strongly recommends sizes within the boxed area be Two-on-One or Three-on-One headrail.

ALTERNATIVE WOOD CROWN VALANCE SURCHARGE

WIDTH TO: >	24"	30"	32"	36"	42"	48"	54"	60"	66"	72"	78"	84"	96"
Add:	23	28	30	32	35	41	45	49	52	57	62	74	80

Two-on-One and Three-on-One Headrail Blinds: Price each blind individually and add together.

End Cut-outs: Add \$20.00 per side. (Maximum cut-out width is 4") Check with your fabricator for availability.

MOTORIZATION SURCHARGE*

- Standard Tilt Motor \$ 231 (maximum blind size approximately 30 sq. ft.)
- Heavy Duty Tilt Motor \$ 257 (maximum blind size approximately 60 sq. ft.)
- Remote Control \$ 62
- 10" Satellite Eye \$ 34
- Decorative Trim Surcharge Add 25% to the price per blind from Grid B2

*See page 16 for specifications and details.

PRICE GROUP **B3** **2" FLAT SLATS - WHITES** •Routed Slats with Braided Ladders

Height To:	Width:	24"	30"	32"	36"	42"	48"	54"	60"	66"	72"	78"	84"	96"
	30"	64	78	82	92	100	114	128	145	154	164	186	199	220
36"	75	88	93	102	111	125	142	161	173	182	204	218	245	
42"	79	97	102	112	124	139	159	180	190	203	227	244	278	
48"	89	107	111	123	136	153	175	196	211	227	253	275	313	
54"	99	118	123	133	151	168	193	216	236	254	284	306	345	
60"	108	127	133	146	165	185	213	237	261	275	312	336	375	
66"	118	136	142	156	180	203	234	261	286	302	342	368	405	
72"	129	146	153	166	196	222	254	285	307	324	368	396	437	
78"	133	153	161	180	206	235	268	301	326	349	396	426	472	
84"	142	164	174	193	222	253	286	315	342	376	424	458	505	
90"	153	176	185	205	236	269	306	336	366	401	450	489	541	
96"	158	184	194	215	250	284	323	358	391	427	482	522	577	
102"	165	194	206	229	265	303	343	384	414	454	517	555	615	
108"	174	205	216	241	280	318	363	401	438	484	550	590	652	
114"	182	214	228	255	295	337	383	423	461	510	584	624	692	
120"	191	226	240	267	310	354	401	450	492	547	618	657	733	

Kensington strongly recommends sizes within the boxed area be Two-on-One or Three-on-One headrail.

PRICE GROUP **B4** **2" FLAT SLATS - WHITES** •Routless Slats with Braided Ladders
•Cloth Fashion Tape

Height To:	Width:	24"	30"	32"	36"	42"	48"	54"	60"	66"	72"	78"	84"	96"
	30"	75	90	95	106	115	132	148	166	178	189	214	229	254
36"	86	102	107	118	129	144	164	186	199	210	235	252	283	
42"	92	111	118	130	142	161	183	207	219	234	261	282	320	
48"	103	124	129	141	157	177	202	226	243	261	291	316	361	
54"	114	135	141	154	174	194	223	250	272	292	327	353	397	
60"	125	147	154	167	190	213	245	274	301	316	359	387	433	
66"	135	157	164	180	207	234	269	301	330	347	394	424	466	
72"	149	167	177	191	226	255	292	329	354	373	424	457	502	
78"	154	177	186	207	237	270	309	346	374	402	457	491	544	
84"	164	189	201	223	255	291	330	363	394	434	489	526	581	
90"	177	203	213	236	272	310	353	387	421	462	518	563	622	
96"	182	212	225	249	287	327	372	412	450	492	554	601	665	
102"	190	225	237	263	306	348	395	442	476	523	595	640	707	
108"	201	236	250	278	322	366	418	462	504	556	633	679	751	
114"	210	246	262	293	340	388	441	488	530	587	673	718	796	
120"	220	260	277	308	357	407	462	518	566	629	711	756	843	

Kensington strongly recommends sizes within the boxed area be Two-on-One or Three-on-One headrail.

ALTERNATIVE WOOD CROWN VALANCE SURCHARGE

WIDTH TO: >	24"	30"	32"	36"	42"	48"	54"	60"	66"	72"	78"	84"	96"
Add:	23	28	30	32	35	41	45	49	52	57	62	74	80

Two-on-One and Three-on-One Headrail Blinds: Price each blind individually and add together.

End Cut-outs: Add \$20.00 per side. (Maximum cut-out width is 4") Check with your fabricator for availability.

MOTORIZATION SURCHARGE*

- Standard Tilt Motor \$ 231 (maximum blind size approximately 30 sq. ft.)
- Heavy Duty Tilt Motor \$ 257 (maximum blind size approximately 60 sq. ft.)
- Remote Control \$ 62
- 10" Satellite Eye \$ 34
- Decorative Trim Surcharge Add 25% to the price per blind from Grid B4

*See page 16 for specifications and details.

PRICE GROUP

B5

2" FLAT SLATS - WOOD TONES
2" CONTOUR SLATS - WHITES

•Routed Slats with Braided Ladders

Height To:	Width:	24"	30"	32"	36"	42"	48"	54"	60"	66"	72"	78"	84"	96"
	30"	72	86	90	101	110	126	141	159	170	181	205	219	243
36"	83	98	102	112	123	137	157	178	190	201	225	240	270	
42"	87	107	112	124	136	154	176	199	210	224	250	269	306	
48"	99	119	123	135	151	168	192	215	233	250	279	303	345	
54"	109	130	135	147	166	186	213	238	260	280	313	337	381	
60"	120	140	147	160	182	204	235	261	288	303	343	370	414	
66"	130	151	157	172	199	224	258	288	315	332	376	406	445	
72"	142	160	168	183	215	244	280	314	338	358	406	437	480	
78"	147	168	178	199	227	259	295	331	359	385	437	469	520	
84"	157	181	191	213	244	279	315	347	376	415	467	503	556	
90"	168	193	204	226	260	296	337	370	404	442	496	538	595	
96"	175	203	214	237	275	313	357	394	431	471	530	575	635	
102"	182	214	227	252	292	334	378	422	456	500	569	612	677	
108"	191	226	238	266	308	350	399	442	483	532	605	649	718	
114"	201	236	251	281	326	371	421	466	508	561	644	686	761	
120"	211	249	265	294	341	389	442	496	542	602	680	724	807	

Kensington strongly recommends sizes within the boxed area be Two-on-One or Three-on-One headrail.

PRICE GROUP

B6

2" FLAT SLATS - WOOD TONES
2" CONTOUR SLATS - WHITES

•Routless Slats with Braided Ladders
•Cloth Fashion Tape

Height To:	Width:	24"	30"	32"	36"	42"	48"	54"	60"	66"	72"	78"	84"	96"
	30"	82	99	104	116	127	146	162	183	196	208	236	252	280
36"	96	112	118	129	141	158	181	205	218	231	258	277	311	
42"	101	123	129	142	157	177	202	228	241	257	287	310	352	
48"	113	136	141	156	173	193	222	248	267	287	320	347	396	
54"	126	149	156	168	191	213	245	275	300	321	360	387	437	
60"	137	161	168	185	210	235	270	301	331	347	395	425	475	
66"	149	173	181	198	228	257	296	331	362	382	434	466	513	
72"	163	185	193	211	248	281	321	361	389	411	466	501	553	
78"	168	193	205	228	261	297	340	381	412	443	501	540	598	
84"	181	208	220	245	281	320	362	399	434	476	538	579	640	
90"	193	223	235	260	300	341	387	425	464	509	570	619	684	
96"	201	233	246	272	316	360	410	453	495	541	609	661	731	
102"	210	246	261	290	336	384	435	486	524	575	654	703	778	
108"	220	260	275	306	355	404	460	509	554	613	697	747	826	
114"	231	271	289	322	374	426	485	536	583	645	739	789	876	
120"	242	286	305	339	392	448	509	570	623	693	782	832	928	

Kensington strongly recommends sizes within the boxed area be Two-on-One or Three-on-One headrail.

ALTERNATIVE WOOD CROWN VALANCE SURCHARGE

WIDTH TO: >	24"	30"	32"	36"	42"	48"	54"	60"	66"	72"	78"	84"	96"
Add:	23	28	30	32	35	41	45	49	52	57	62	74	80

Two-on-One and Three-on-One Headrail Blinds: Price each blind individually and add together.

End Cut-outs: Add \$20.00 per side. (Maximum cut-out width is 4") Check with your fabricator for availability.

MOTORIZATION SURCHARGE*

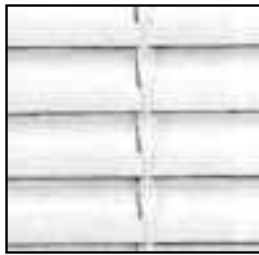
- Standard Tilt Motor \$ 231 (maximum blind size approximately 30 sq. ft.)
- Heavy Duty Tilt Motor \$ 257 (maximum blind size approximately 60 sq. ft.)
- Remote Control \$ 62
- 10" Satellite Eye \$ 34
- Decorative Trim Surcharge Add 25% to the price per blind from Grid B6

*See page 16 for specifications and details.

SPECIFICATIONS AND FINISHED DIMENSIONS

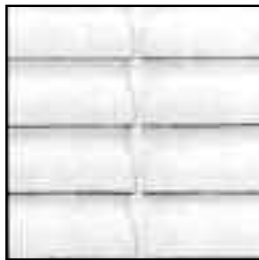
TYPES OF ROUTING

Routing refers to how the holes are created in the slats and how the slats and lifting system are assembled. Kensington Alternative Wood Blinds are available with two kinds of routing.



Routed Slats

Route holes for the lift cords are drilled through the center of each slat. The number of route holes depends on the length of the slat. The slats then rest on rungs of the braided ladder or the cloth fashion tape.



Routless Slats

Notches at the back of each slat take the place of route holes, allowing for a sleeker look and tighter slat closure. The slats then rest on rungs of the braided ladder. Routless blinds are not available with cloth fashion tapes.

ROUTING & FASHION TAPE AVAILABILITY

BLIND STYLE	ROUTED SLATS	ROUTLESS SLATS	CLOTH FASHION TAPE
2½" Shutter and Beveled Slats	•	•	N/A
2" Contour Slats	•	•	•
2" Flat Slats	•	•	•

STACKING HEIGHTS (with braided ladders)

Measurements include head and bottom rails.

FLAT & CONTOUR SLATS		2 1/2" SHUTTER & BEVELED SLATS	
BLIND LENGTH	STACK HEIGHT	BLIND LENGTH	STACK HEIGHT
48"	7 3/4"	48"	9"
72"	10 1/4"	72"	11 1/2"
84"	12"	84"	12 1/2"
96"	13 3/8"	96"	13 3/4"

BLIND SPECIFICATIONS

These specifications apply to all Kensington Alternative Wood Blinds.

	Width	Length
Standard	Min. 8" *	Min. 10"
Rectangular	Max. 96"	Max. 120"
Two-On-One	Min. 30"	Min. 10"
Headrail	Max. 96"	Max. 120"
Three-On-One	Min. 45"	Min. 10"
Headrail	Max. 96"	Max. 120"

* All blinds 8" OB to 13" OB or 8 1/2" IB to 13 1/2" IB are available with center tilt only, no lift cords.

- All blinds greater than 13" OB to 20" OB or 13 1/2" IB to 20 1/2" IB with ladder braid must have split controls.
- All blinds greater than 13" OB to 22" OB or 13 1/2" IB to 22 1/2" IB with designer cloth tape must have split controls as well.
- For easier installation and operation, we suggest that you order two or three separate blinds and cover with a single common valance (See "Valance Specifications"). Please specify when ordering.

CONTROL FEATURES

Lift Cord:

Standard length equals 2/3 of the total blind length ordered.

Tilt Cord (standard):

Standard length is 4" less the length of the lift cord. Minimum length is 20".

Tilt Wand (no charge option):

Available on all Kensington Alternative Wood Blinds except 2 1/2" Shutter Slat Blinds (cord tilt only).

STANDARD WAND LENGTH

BLIND LENGTH	WAND LENGTH
Up to 24"	12"
24 1/8" to 40"	20"
40 1/8" to 48"	24"
48 1/8" to 60"	30"
60 1/8" to 72"	36"
72 1/8" to 80"	40"
Over 80"	48"

SPECIFICATIONS AND FINISHED DIMENSIONS

FINISHED DIMENSIONS

Inside Mount

Blind1/2" less than ordered width
 Valance1/8" less than ordered width

Outside Mount

Blindordered width
 Valance5/8" greater than ordered width
 Standard valance returns2 1/2"

Multiple Blinds on One Headrail

Gap between blinds3/8"

MOUNTING INFORMATION

2-Inch Slats

Minimum Shallow Mounting Surface5/8"
 Minimum Flush Inside Mounting Surface3 1/4"
 Minimum Outside Mounting Surface3/4"

2 1/2 -Inch Shutter Slats

Minimum Shallow Mounting Surface7/8"
 Minimum Flush Inside Mounting Surface:
 Crown Valance.....3 1/2"
 Classic Valance3 1/4"
 Minimum Outside Mounting Surface3/4"

BRAIDED LADDER AND CLOTH FASHION TAPE COUNTS

- Braided Ladder is standard on all Kensington Alternative Wood Blinds.
- Designer cloth tapes are optional on all Flat and "S" Curved slat Kensington Alternative Wood Blinds. See sample deck for color selections.

2 1/2" Shutter Slats & Beveled

Blind Widths To:	8" - 29"	48"	65"	83"	96"
Number of Ladders/Tapes	2	3	4	5	6

(Both Routed Slats and Routless Slats)

2" Contour Slats

Blind Widths To:	8" - 27"	43"	59"	75"	91"	96"
Number of Ladders/Tapes	2	3	4	5	6	7

(Both Routed Slats and Routless Slats)

2" Flat Slats

Blind Widths To:	8" - 25"	39"	53"	67"	81"	96"
Number of Ladders/Tapes	2	3	4	5	6	7

(Both Routed Slats and Routless Slats)

SPECIFICATIONS AND FINISHED DIMENSIONS



ALTERNATIVE WOOD CROWN VALANCE

- Crown Valance is 3" high, color matched to the slats with 2 1/2" returns (measured from the inside).

MEASURING FOR VALANCES

- Valances and returns are cut at the inside measurement. The inside measurement refers to the inside wall of the valance or the returns. (Lengths A and B in Fig. 1).
- Kensington strongly recommends measuring for the exact size of the valance needed when measuring for your Kensington Alternative Wood Blinds.

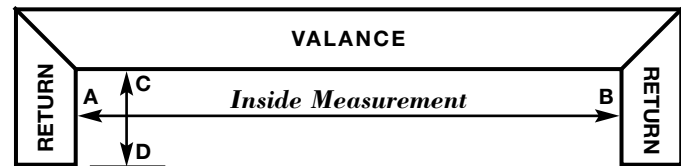


FIGURE 1

PLEASE NOTE: If a window is not square, the width may vary at different points on the window. If the ordered width of the blind is less than the width that the actual valance will cover, then the valance will appear short in width. Please order a custom size valance when the width at the top of the window, where the valance is attached, is greater than the ordered width. (See Window Measurement section to obtain a full description of how to properly measure a window for Kensington Alternative Wood Blinds).

INSIDE MOUNT (IB) VALANCES

(made without returns)

STANDARD VALANCE:

Valance is cut to the ordered blind width minus 1/8".

CUSTOM VALANCE:

Valance is cut exactly to the ordered valance width.

OUTSIDE MOUNT (OB) VALANCES

(made with returns)

STANDARD VALANCE:

Valance is cut to the ordered blind width plus 5/8" on the inside of the valance (length A to B on Figure 1) with standard returns.

CUSTOM VALANCE:

Valance is cut to the ordered valance width on the inside of the valance (length A to B on Figure 1) with returns made as ordered. Always make sure the width ordered is large enough to clear the width of the headrail and brackets.

COMMON VALANCE

A Common Valance is made to cover more than one blind to create a unified look. (Can be either an IB or OB valance. Exact measurements must be supplied).

VALANCE RETURNS

- Returns can be cut as small as 1/2" minimum inside (length C to D on Figure 1).
- Classic Valance returns measuring between 1/2" and 1" (length C to D on Figure 1) will be attached to the valance front piece with jet-weld adhesive.
- Any Classic Valance return measuring greater than 1" (length C to D on Figure 1) will be provided with corner clips for attachment to the valance front piece.
- All Crown Valance returns will be attached to the valance front piece using jet-weld adhesive.

SPECIFICATIONS - MOTORIZATION

FEATURES AND BENEFITS

- Top of the line battery powered standard motor, capable of tilting blinds up to 15 pounds.
- Top of the line battery powered heavy duty motor, capable of tilting blinds up to 30 pounds.
- Internal brake holds blind in place.
- Provides tight slat closure to eliminate light gap, with no roll back.
- Limit switches allow blind to stop when completely closed.
- Limit switches prevent the blind and motor from potential damage.
- 5" Satellite Eye standard, optional 10" Satellite Eye extends receiving eye for cornice applications.
- Motor is fully enclosed in the headrail.
- No unsightly battery packs or controls.
- Minimum of 4 1/2" end routes necessary.
- No tilt wand or cord punch necessary.
- Installs with standard installation hardware.

BATTERY CARTRIDGE

- Returns can be cut as small as 1/2" minimum inside (length C to D on Figure 1).
- Classic Valance returns measuring between 1/2" and 1" (length C to D on Figure 1) will be attached to the valance front piece with jet-weld adhesive.
- Any Classic Valance return measuring greater than 1" (length C to D on Figure 1) will be provided with corner clips for attachment to the valance front piece.
- All Crown Valance returns will be attached to the valance front piece using jet-weld adhesive.

REMOTE CONTROL

- One button remote that operates up to 50' away.
- Signal not affected by florescent or halogen lighting.
- Operational distance may be affected by bright sunlight.
- Operates an unlimited number of blinds without changing channels.
- Remote filter available for bay window applications or side by side blinds.
- Operates with (3) AA alkaline batteries (lithium not recommended for remote).

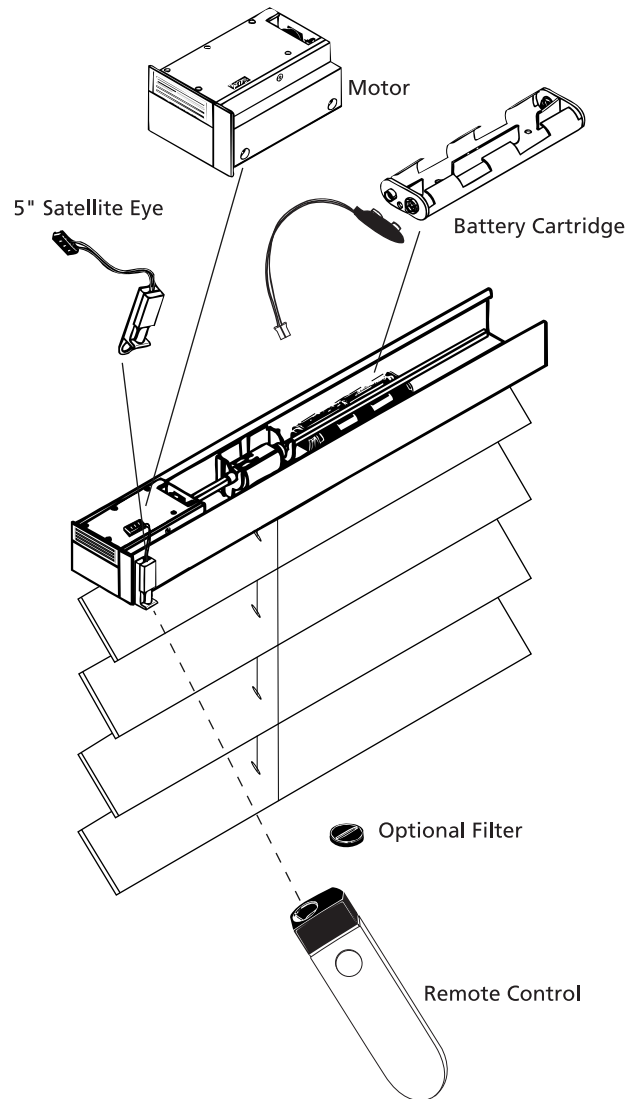


FIGURE 2

WARRANTY

- 5-Year Warranty

BLIND SIZE CHART

Product Type	Max. Sq. Ft. Standard Motor	Max. Sq. Ft. Heavy Duty Motor
2" Alternative Wood	30'	60'

Note: To calculate square footage of a blind, multiply blind height (in inches) times the blind width (in inches) then divide by 144.

MEASURING GUIDELINES

Accurate measurements are essential, for both correct pricing and proper fit. Use only a hard-edged ruler or steel tape, never a cloth tape. For inside mounts, width measurements should be rounded down to the nearest 1/8" to prevent blind from binding against the window casing.

INSIDE MOUNTING (IB)

- For **WIDTH (A)**, measure across the window casing from one inside edge to the other in three places, top, middle, and bottom. Record the **smallest** width rounded **down** to the nearest 1/8".

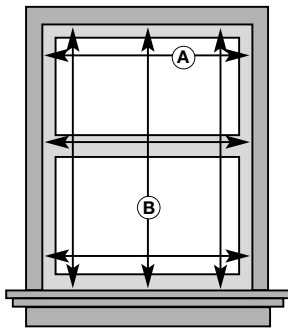


FIGURE 3

- For **LENGTH (B)**, measure the inside area from the top inside edge down to the top of the sill in three places, left, middle and right. Record the **longest** length rounded **up** to the nearest 1/8".
- The factory will make all the necessary deductions for inside mount.

OUTSIDE MOUNTING (OB)

- For **WIDTH (A)**, measure from one edge of the casing to the other, then add a minimum of 4" (2" each side), for blind overlap. Record the measurement rounded **up** to the nearest 1/8".

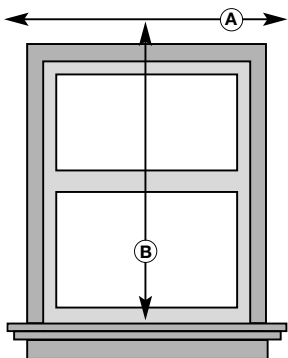


FIGURE 4

- For **LENGTH (B)**, measure from the top of the window sill up to the desired top of the blind. Again, record the measurements rounded **up** to the nearest 1/8".
- Outside mounted blinds are fabricated to order dimensions.

BOTTOM SIDE CUT-OUTS

KENSINGTON SIDE CUT-OUT BLINDS have rectangular areas removed from the blind to avoid obstructions (such as an air-conditioner). Cut-outs may be from the bottom corners of the blind. While a template is not required, when ordering a cut-out blind, a **diagram** of the blind with **all dimensions noted** must be included.

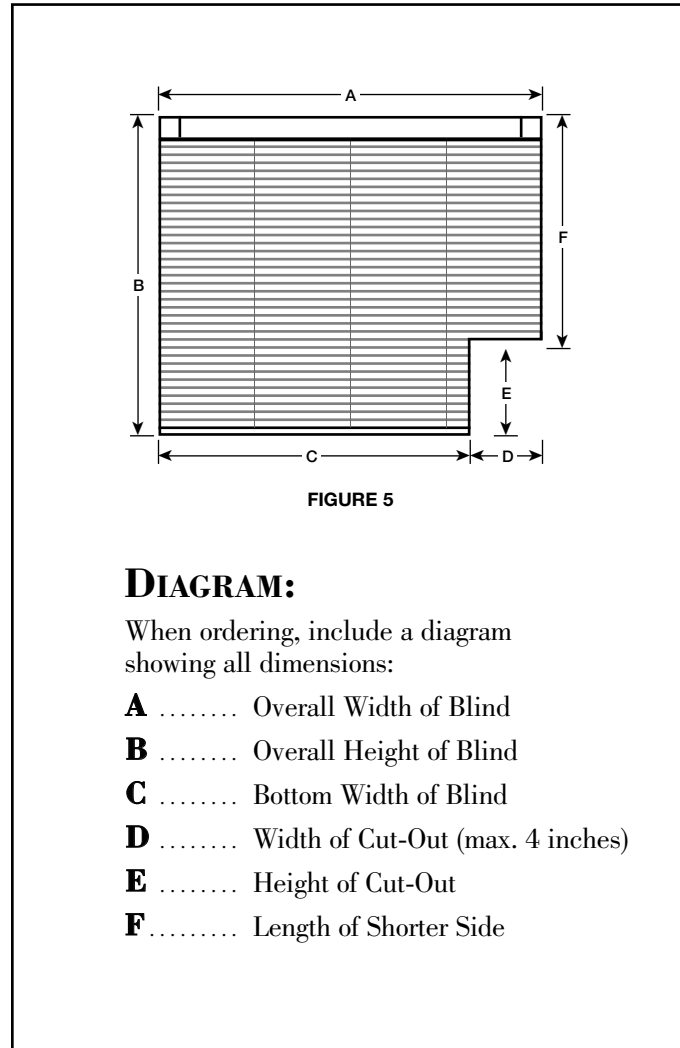


FIGURE 5

DIAGRAM:

When ordering, include a diagram showing all dimensions:

- A** Overall Width of Blind
- B** Overall Height of Blind
- C** Bottom Width of Blind
- D** Width of Cut-Out (max. 4 inches)
- E** Height of Cut-Out
- F** Length of Shorter Side

KENSINGTON

WINDOW EXPRESSIONS™

ALTERNATIVE WOOD BLINDS ORDER FORM

DATE _____

P.O. NO. _____

SIDEMARK _____

CHARGE TO CUSTOMER

NAME

ADDRESS

CITY

STATE

ZIP

SHIP TO:

PHONE () -

KENSINGTON ORDER #

CUSTOMER P.O. #

PAGE ____ OF ____

**APPROXIMATE
STANDARD DEDUCTIONS**

ALL BLINDS

IB - WIDTH 1/2"

OB - WIDTH ZERO

SPECIAL INSTRUCTIONS:

LINE	QTY	IB/ OB	LENGTH	COLOR		CONTROL POSITION			CONT CORD *	RETURN		CLOTH TAPE *		HOLD DOWNS	ADDITIONAL OPTIONS
				NAME	NUMBER	CORD TILT	WAND	LIFT CORD		Y/N	SIZE	SIZE	STYLE		
1															
2															
3															
4															
5															
6															
7															

PLEASE CHECK

2 1/2" SHUTTER

2 1/2" BEVELED SLATS

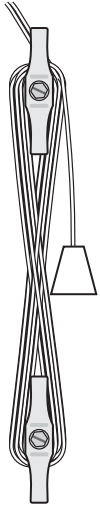
2" CONTOUR SLATS

2" FLAT SLATS

ORDERED BY _____

For orders placed by phone, dealers will assume all responsibility.
Custom orders cannot be canceled once they are in production.

CHILD SAFETY



Be aware that it is possible for children to become entangled in window covering cords. To reduce the risk of accidents, all cords must be kept out of the reach of children. Cord cleats are an effective way to implement this essential precaution. Mount the cord cleat at a safe height, taking into account furniture or other objects upon which a child may climb. Then, after each use of the blind, simply wrap the excess cord around the cleat. Cord cleats are included with every Kensington Wood Blind. Kensington Wood Blinds with Continuous Cord System include a Cord Tensioner that keeps the cord taut to minimize any danger.

CARE AND CLEANING

Periodic dusting with a feather duster or vacuum cleaner brush is all Kensington Alternative Wood Blinds should ever require. The exterior finish on Kensington Alternative Wood Blinds resists chipping, cracking, fading and is inherently dust repellent. If necessary, Kensington Alternative Wood Blinds can be cleaned with soap and water to remove stains. Kensington Alternative Wood Blinds are fully washable and will not warp if exposed to water or humid conditions.

LIFETIME LIMITED WARRANTY

Kensington Alternative Wood Blinds are warranted to be free from defects in materials and workmanship for as long as the original purchaser owns the product, provided that the product was installed properly and in accordance with the Alternative Wood Blinds installation instructions. This lifetime limited warranty is extended to the original purchaser only, in the original window for which it was intended.



This warranty does not include any conditions or damages resulting from accidents, alterations, misuse, or failure to follow printed instructions on installation, cleaning and care, or repairs. This warranty does not apply to conditions resulting from normal wear and tear.

THIS WARRANTY IS EXCLUSIVE AND IN LIEU OF ALL OTHER OBLIGATIONS, LIABILITIES OR WARRANTIES. In no event shall Kensington or its licensed fabricators or distributors be liable for **INCIDENTAL OR CONSEQUENTIAL DAMAGES**, or for any other damage, loss or expense, cost or fees associated with such damage. In some states, exclusions for incidental or consequential damages are not allowed.

This warranty gives you specific legal rights, and you may also have other rights which vary from state to state.