

KENSINGTON

WINDOW EXPRESSIONS™

K2407



Product Reference & Price Guide

Aluminum Blinds

May 2008



TABLE OF CONTENTS

| | |
|---|-------|
| Program Summary | 3 |
| Product Specifications | 4-5 |
| How to Order | 6 |
| Aristocrat 1-Inch Blinds | 7-10 |
| Abbey Court 1-Inch Blinds | 11-12 |
| Abbey Court 1/2-Inch Blinds | 13-14 |
| Andover 1-Inch Blinds..... | 15-16 |
| Aristocrat 2-Inch Blinds | 17-19 |
| Cut-Out Blinds | 20 |
| Andover Specialty Shapes | 21-22 |
| Slat Color Availability | 23-24 |
| Measuring Guidelines | 25 |
| Motorization..... | 26 |
| Order Form..... | 27 |
| Child Safety / Care and Cleaning / Warranty | 28 |



Kensington Aluminum Horizontal Blinds

Program Summary

The Kensington Aluminum Horizontal Blinds Program provides quality window coverings with *real value* at competitive price points.

CHOICE OF 1-INCH, 1/2-INCH OR 2-INCH SLATS

- ARISTOCRAT
- ABBEY COURT
- ANDOVER

ALUMINUM SLATS

Heat-treated for superior resiliency to prevent damage, even from heavy use.

OVER 80 COLORS

From whites and neutrals to soft hues and vibrant tones that will complement any decorating scheme.

CHOICE OF 6 FINISHES

- Solid Colors
- Metallic
- Soft-Tone
- Wood Tones
- Pearls
- Perforated

COLOR COORDINATED COMPONENTS

- Headrail
- Bottom Rail
- Cords and Ladders

VALANCES

- Integrated Headrail
- Deluxe Groover Type
- 2-Slat Clip-on Valance

EASY TILTING WAND

Precise control of slats.

CRASH-PROOF CORD LOCK

Automatically locks blind in place if lift cord is suddenly released.

SAFETY TASSEL

Helps protect children and pets from injury.

ANTI-STATIC COATING

Dust Resistant

LIFETIME LIMITED WARRANTY



PRODUCT SPECIFICATIONS



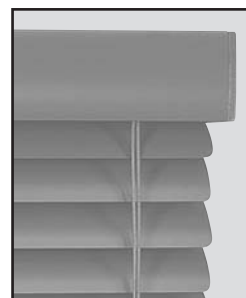
ARISTOCRAT 1-INCH MINI- BLIND

- Valance integrated headrail made from baked-enameled steel, conceals mounting brackets, and blocks light from seeping in between top slat and headrail.
- Standard rout holes
- Optional privacy feature with tighter ladder spacing and off-set rout holes, eliminates light leaks through rout holes for superior light control
- Durable .008 gauge aluminum 1-inch slats
- 20mm ladder spacing standard, 18mm ladder spacing for privacy
- Color-coordinated headrail, bottomrail, cords and ladders
- Crash-proof cord lock
- Safety tassel
- Easy tilt wand



ABBEY COURT 1-INCH MINI-BLIND

- Valance integrated headrail made from baked-enameled steel. Conceals mounting brackets, and blocks light from seeping in between top slat and headrail.
- Standard rout holes
- .006 gauge aluminum 1-inch slats
- 21.5mm ladder spacing
- Color-coordinated headrail, bottomrail, cords and ladders
- Crash-proof cord lock
- Safety tassel
- Easy tilt wand

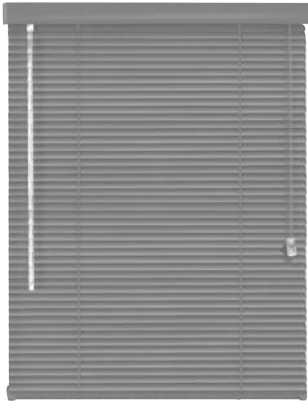


Valance Integrated Headrail



Standard Headrail with 2-slat Valance. Groover or Clip-on Style.

PRODUCT SPECIFICATIONS



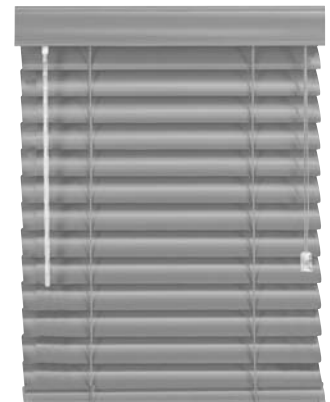
ABBEY COURT 1/2-INCH MICRO-BLIND

- Valance integrated headrail made from baked-enameled steel, conceals mounting brackets, and blocks light from seeping in between top slat and headrail.
- Standard rout holes
- .006 gauge aluminum 1/2-inch slats
- 12mm ladder spacing
- Color-coordinated headrail, bottomrail, cords and ladders
- Crash-proof cord lock
- Safety tassel
- Easy tilt wand



ANDOVER 1-INCH MINI-BLIND

- Low profile headrail made from baked-enameled steel, with standard end box mounting brackets.
- 2-Slat clip-on valance or optional deluxe groover style 2-slat valance
- Standard rout holes
- .006 gauge aluminum 1-inch slats
- 21.5mm ladder spacing
- Color-coordinated headrail, bottomrail, cords and ladders
- Crash-proof cord lock
- Safety tassel
- Easy tilt wand



ARISTOCRAT 2-INCH MACRO-BLIND

- High profile headrail made from baked-enameled steel, with standard end box mounting brackets.
- Clip-on valance
- Standard rout holes
- .010 gauge aluminum 2-inch slats
- 44mm ladder spacing
- Color-coordinated headrail, bottomrail, cords and ladders
- Crash-proof cord lock
- Safety tassel
- Easy tilt wand
- Optional fashion tapes available in 20 Cloth Tape colors and 6 Plastic Tape colors

HOW TO ORDER

When ordering Kensington Aluminum Blinds, make sure to provide all the necessary information on the form, including:

- Desired blind style
- Correct size: width x length
- Color name and color number
- Base price - determined by price chart
- Surcharges
- Side Cut-outs
- Multiple blinds-on-one headrail
- Desired Valance
- Type of Mounting the blind requires:
 - Inside (IB)
 - Outside (OB)
- Control Position (Left or Right) for tilt & lift cords. Specify cord tilt or wand tilt (*cord tilt standard*)
- Extension Brackets or Spacer Blocks for desired window/wall clearance will be supplied at no charge upon request

Specifications for:

- Multiple Blinds on One Headrail (*width and position of each blind*)
- Side Cut-outs (*include diagram*)
- Hold Down Brackets will be supplied, if specified, at no additional charge

KENSINGTON
WINDOW EXPRESSIONS™

ALUMINUM BLIND ORDER FORM

| | | |
|--|---|--|
| DATE _____ P.O. NO. _____ SIDEMARK _____ | CHARGE TO CUSTOMER: NAME _____ ADDRESS _____ CITY _____ STATE _____ ZIP _____ | SHIP TO: NAME _____ ADDRESS _____ CITY _____ STATE _____ ZIP _____ PHONE _____ |
|--|---|--|

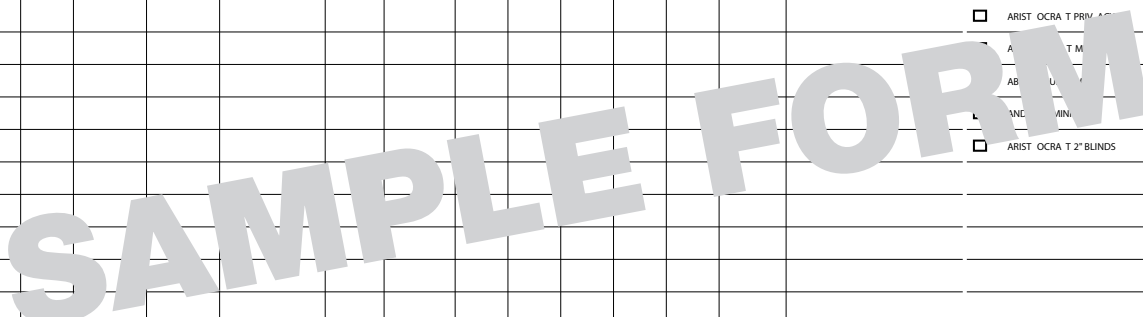
KENSINGTON ORDER # _____

CUSTOMER P.O.# _____

PAGE _____ OF _____

SPECIAL INSTRUCTIONS

| LINE | QTY | IB/OB | WIDTH | LENGTH | COLOR | | CONTROL POSITION | | | CLOTH TAPE (2" ONLY) | | | HOLD DOWNS | ADDITIONAL OPTIONS | PLEASE CHECK |
|------|-----|-------|-------|--------|-------|--------|------------------|------|-----------|----------------------|-------|-------|------------|--------------------|---|
| | | | | | NAME | NUMBER | CORD TILT (ONLY) | WAND | LIFT CORD | SIZE | STYLE | COLOR | | | |
| 1 | | | | | | | | | | | | | | | <input type="checkbox"/> ARISTOCRAT MINI |
| 2 | | | | | | | | | | | | | | | <input type="checkbox"/> ARISTOCRAT PRIVACY |
| 3 | | | | | | | | | | | | | | | <input type="checkbox"/> ARISTOCRAT MINI |
| 4 | | | | | | | | | | | | | | | <input type="checkbox"/> ARISTOCRAT MINI |
| 5 | | | | | | | | | | | | | | | <input type="checkbox"/> ARISTOCRAT 2" BLINDS |
| 6 | | | | | | | | | | | | | | | |
| 7 | | | | | | | | | | | | | | | |
| 8 | | | | | | | | | | | | | | | |
| 9 | | | | | | | | | | | | | | | |
| 10 | | | | | | | | | | | | | | | |



ORDERED BY _____

FOR ORDERS PLACED BY PHONE DELAERS WILL ASSUME ALL RESPONSIBILITY
 CUSTOM ORDERS CANNOT BE CANCELED ONCE THEY ARE IN PRODUCTION

ARISTOCRAT 1-INCH BLINDS

PRICE GROUP

1A

**ARISTOCRAT
PRIVACY 1-INCH BLINDS**

- .008 GAUGE 1-INCH SLATS
- 18mm LADDER SPACING
- STANDARD RECTANGULAR
- SOLID COLORS

| Height To: | Width: | 23" | 26" | 29" | 32" | 36" | 40" | 44" | 48" | 52" | 57" | 62" | 67" | 72" | 82" | 92" | 102" | 112" | 122" | 132" | 142" |
|------------|--------|-----|-----|-----|-----|-----|-----|-----|-----|-----|-----|-----|-----|-----|-----|-----|------|------|------|------|------|
| | 42" | 59 | 62 | 69 | 74 | 83 | 90 | 98 | 103 | 110 | 127 | 133 | 141 | 150 | 170 | 186 | 213 | 256 | 277 | 297 | 314 |
| 48" | 62 | 69 | 77 | 81 | 94 | 98 | 107 | 114 | 120 | 139 | 148 | 157 | 167 | 186 | 207 | 232 | 282 | 305 | 322 | 343 | |
| 54" | 69 | 77 | 83 | 87 | 98 | 107 | 117 | 124 | 133 | 150 | 161 | 170 | 181 | 203 | 225 | 251 | 303 | 327 | 347 | 370 | |
| 60" | 76 | 81 | 87 | 96 | 107 | 117 | 126 | 133 | 143 | 161 | 172 | 182 | 195 | 222 | 244 | 275 | 325 | 355 | 377 | 398 | |
| 66" | 81 | 87 | 96 | 103 | 117 | 126 | 133 | 146 | 151 | 172 | 182 | 198 | 210 | 234 | 262 | 293 | 347 | 377 | 401 | 426 | |
| 72" | 85 | 94 | 102 | 110 | 120 | 133 | 143 | 151 | 164 | 186 | 200 | 210 | 225 | 253 | 281 | 315 | 370 | 401 | 432 | 454 | |
| 78" | 90 | 98 | 107 | 117 | 129 | 141 | 151 | 164 | 176 | 198 | 210 | 225 | 240 | 271 | 297 | 336 | 392 | 426 | 465 | 482 | |
| 84" | 96 | 105 | 114 | 124 | 139 | 148 | 161 | 172 | 186 | 210 | 224 | 240 | 253 | 286 | 315 | 356 | 413 | 452 | 482 | 511 | |
| 90" | 102 | 110 | 118 | 129 | 146 | 158 | 170 | 182 | 195 | 222 | 234 | 253 | 269 | 303 | 336 | 377 | 435 | 475 | 506 | 539 | |
| 96" | 107 | 117 | 126 | 136 | 151 | 167 | 181 | 192 | 207 | 232 | 248 | 266 | 284 | 321 | 355 | 396 | 460 | 500 | 531 | 568 | |
| 108" | 112 | 120 | 133 | 143 | 161 | 176 | 188 | 203 | 217 | 244 | 264 | 281 | 297 | 337 | 374 | 417 | 482 | 522 | 559 | 593 | |
| 114" | 117 | 127 | 139 | 150 | 167 | 182 | 200 | 216 | 229 | 255 | 275 | 293 | 314 | 355 | 392 | 435 | 504 | 549 | 587 | 624 | |
| 120" | 120 | 133 | 146 | 157 | 177 | 192 | 208 | 224 | 240 | 269 | 286 | 308 | 327 | 370 | 408 | 460 | 526 | 574 | 611 | 651 | |
| 132" | 126 | 139 | 151 | 164 | 182 | 200 | 217 | 232 | 251 | 281 | 300 | 321 | 340 | 387 | 427 | 482 | 549 | 596 | 639 | 679 | |
| 144" | 133 | 146 | 158 | 170 | 192 | 210 | 225 | 244 | 262 | 291 | 314 | 336 | 358 | 403 | 445 | 500 | 571 | 620 | 664 | 707 | |

PRICE GROUP

2A

**ARISTOCRAT
STANDARD 1-INCH BLINDS**

- .008 GAUGE 1-INCH SLATS
- 20mm LADDER SPACING
- STANDARD RECTANGULAR
- SOLID COLORS

| Height To: | Width: | 23" | 26" | 29" | 32" | 36" | 40" | 44" | 48" | 52" | 57" | 62" | 67" | 72" | 82" | 92" | 102" | 112" | 122" | 132" | 142" |
|------------|--------|-----|-----|-----|-----|-----|-----|-----|-----|-----|-----|-----|-----|-----|-----|-----|------|------|------|------|------|
| | 42" | 51 | 55 | 60 | 64 | 72 | 78 | 86 | 90 | 95 | 111 | 115 | 123 | 130 | 148 | 162 | 185 | 224 | 241 | 259 | 273 |
| 48" | 55 | 60 | 68 | 70 | 82 | 86 | 93 | 99 | 105 | 121 | 128 | 136 | 146 | 162 | 179 | 202 | 245 | 265 | 280 | 298 | |
| 54" | 60 | 68 | 72 | 76 | 86 | 93 | 101 | 107 | 115 | 130 | 140 | 148 | 158 | 177 | 197 | 218 | 263 | 284 | 302 | 321 | |
| 60" | 66 | 70 | 76 | 84 | 93 | 101 | 109 | 115 | 125 | 140 | 150 | 160 | 169 | 193 | 212 | 239 | 282 | 308 | 327 | 346 | |
| 66" | 70 | 76 | 84 | 90 | 101 | 109 | 115 | 127 | 132 | 150 | 160 | 171 | 183 | 204 | 228 | 255 | 302 | 327 | 348 | 370 | |
| 72" | 74 | 82 | 88 | 95 | 105 | 115 | 125 | 132 | 142 | 162 | 173 | 183 | 197 | 220 | 243 | 274 | 321 | 348 | 376 | 395 | |
| 78" | 78 | 86 | 93 | 101 | 113 | 123 | 132 | 142 | 152 | 171 | 183 | 197 | 208 | 236 | 259 | 292 | 341 | 370 | 405 | 418 | |
| 84" | 84 | 91 | 99 | 107 | 121 | 128 | 140 | 150 | 162 | 183 | 195 | 208 | 220 | 249 | 274 | 309 | 360 | 393 | 418 | 444 | |
| 90" | 88 | 95 | 103 | 113 | 127 | 138 | 148 | 160 | 169 | 193 | 204 | 220 | 234 | 263 | 292 | 327 | 380 | 413 | 440 | 469 | |
| 96" | 93 | 101 | 109 | 119 | 132 | 146 | 158 | 167 | 179 | 202 | 216 | 232 | 247 | 278 | 308 | 345 | 399 | 434 | 461 | 494 | |
| 108" | 97 | 105 | 115 | 125 | 140 | 152 | 164 | 177 | 189 | 212 | 230 | 243 | 259 | 294 | 325 | 362 | 418 | 454 | 487 | 516 | |
| 114" | 101 | 111 | 121 | 130 | 146 | 160 | 173 | 187 | 199 | 222 | 239 | 255 | 273 | 308 | 341 | 380 | 438 | 477 | 510 | 543 | |
| 120" | 105 | 115 | 127 | 136 | 154 | 167 | 181 | 195 | 208 | 234 | 249 | 269 | 284 | 321 | 354 | 399 | 457 | 498 | 531 | 566 | |
| 132" | 109 | 121 | 132 | 142 | 160 | 173 | 189 | 202 | 218 | 243 | 261 | 278 | 296 | 337 | 372 | 418 | 477 | 518 | 555 | 590 | |
| 144" | 115 | 127 | 138 | 148 | 167 | 183 | 197 | 212 | 228 | 253 | 273 | 292 | 311 | 350 | 387 | 434 | 496 | 539 | 578 | 615 | |

Sizes to the right of the heavy line, Two-on-One headrail recommended for easier raising and lowering of blind.

SURCHARGES:

MULTI-COLOR BLINDS:

First Added Color \$10
 Each Additional Color \$4

**MULTIPLE BLINDS
ON ONE HEADRAIL:**

Price each blind individually.
 Add together for total price.

UNDERSIZED BLINDS:

Blinds Less Than 12" Wide \$18
 Blinds Less Than 17" Long \$10

CUT-OUTS:

Side Cut-out 6" or Less per side \$4
 Side Cut-out 6-1/8" or More per side \$10
 Center Cut-out \$10

PREMIUM SLAT SURCHARGES:

Metallic Add 15% (base price x 1.15)
 Soft-Tone Add 50% (base price x 1.50)
 Wood-Tone ... Add 75% (base price x 1.75)
 Pearls Add 75% (base price x 1.75)
 Perforated Add 100% (base price x 2.00)

SPECIFICATIONS:

Minimum Width 12 in.
 Maximum Width of a Single Blind 142 in.
 Maximum Width of 2 or 3 Blinds
 on one headrail 190 in.
 Maximum Length 144 in.
 Maximum Square Feet Single Blind 90 sq. ft.
 Blind will Tilt Only 6 - 10 3/8 in.
 Blind must have Split Controls 10 1/2 - 18 in.
 Blind can have Controls
 in any position 18 1/8 in. or more

For Aristocrat 1-inch aluminum blind color availability, see color charts on pages 23 and 24.

ARISTOCRAT 1-INCH BLINDS

SLAT COUNT • PRIVACY BLINDS

SPACING BETWEEN SLATS - 18 mm

| BLIND HEIGHT | NO. OF SLATS | BLIND HEIGHT | NO. OF SLATS | BLIND HEIGHT | NO. OF SLATS | BLIND HEIGHT | NO. OF SLATS |
|--------------|--------------|--------------|--------------|--------------|--------------|--------------|--------------|
| 6" | 9 | 42" | 59 | 78" | 109 | 114" | 159 |
| 8" | 12 | 44" | 62 | 80" | 112 | 116" | 162 |
| 10" | 14 | 46" | 64 | 82" | 114 | 118" | 164 |
| 12" | 17 | 48" | 67 | 84" | 117 | 120" | 167 |
| 14" | 20 | 50" | 70 | 86" | 120 | 122" | 170 |
| 16" | 23 | 52" | 73 | 88" | 123 | 124" | 173 |
| 18" | 25 | 54" | 75 | 90" | 125 | 126" | 175 |
| 20" | 28 | 56" | 78 | 92" | 128 | 128" | 178 |
| 22" | 31 | 58" | 81 | 94" | 131 | 130" | 181 |
| 24" | 34 | 60" | 84 | 96" | 134 | 132" | 184 |
| 26" | 37 | 62" | 87 | 98" | 137 | 134" | 186 |
| 28" | 39 | 64" | 89 | 100" | 139 | 136" | 189 |
| 30" | 42 | 66" | 92 | 102" | 142 | 138" | 191 |
| 32" | 45 | 68" | 95 | 104" | 145 | 140" | 194 |
| 34" | 48 | 70" | 98 | 106" | 148 | 142" | 196 |
| 36" | 50 | 72" | 100 | 108" | 150 | | |
| 38" | 53 | 74" | 103 | 110" | 153 | | |
| 40" | 56 | 76" | 106 | 112" | 156 | | |

STACKING

PRIVACY

| BLIND HEIGHT* OPEN | STACKING HEIGHT CLOSED |
|--------------------|------------------------|
| 12" | 1 5/8" |
| 18" | 1 13/16" |
| 24" | 2 " |
| 36" | 2 1/4" |
| 48" | 2 5/8" |
| 60" | 2 15/16" |
| 72" | 3 1/4" |
| 84" | 3 5/8" |
| 96" | 3 15/16" |
| 118" | 4 7/16" |
| 120" | 4 9/16" |
| 132" | 4 15/16" |
| 142" | 5 3/16" |

* Blind Heights
Include Headrail
and Bottom Rail.

SLAT COUNT • ARISTOCRAT 1-INCH BLINDS

SPACING BETWEEN SLATS - 20 mm

| BLIND HEIGHT | NO. OF SLATS | BLIND HEIGHT | NO. OF SLATS | BLIND HEIGHT | NO. OF SLATS | BLIND HEIGHT | NO. OF SLATS |
|--------------|--------------|--------------|--------------|--------------|--------------|--------------|--------------|
| 6" | 8 | 42" | 54 | 78" | 99 | 114" | 144 |
| 8" | 11 | 44" | 56 | 80" | 101 | 116" | 146 |
| 10" | 13 | 46" | 58 | 82" | 103 | 118" | 149 |
| 12" | 15 | 48" | 61 | 84" | 106 | 120" | 151 |
| 14" | 18 | 50" | 63 | 86" | 108 | 122" | 153 |
| 16" | 21 | 52" | 66 | 88" | 111 | 124" | 156 |
| 18" | 23 | 54" | 68 | 90" | 113 | 126" | 158 |
| 20" | 26 | 56" | 71 | 92" | 116 | 128" | 161 |
| 22" | 28 | 58" | 73 | 94" | 118 | 130" | 164 |
| 24" | 31 | 60" | 76 | 96" | 121 | 132" | 166 |
| 26" | 34 | 62" | 79 | 98" | 124 | 134" | 168 |
| 28" | 36 | 64" | 81 | 100" | 126 | 136" | 171 |
| 30" | 38 | 66" | 83 | 102" | 128 | 138" | 174 |
| 32" | 41 | 68" | 86 | 104" | 131 | 140" | 176 |
| 34" | 44 | 70" | 89 | 106" | 134 | 142" | 179 |
| 36" | 46 | 72" | 90 | 108" | 136 | | |
| 38" | 48 | 74" | 93 | 110" | 138 | | |
| 40" | 51 | 76" | 96 | 112" | 141 | | |

STACKING

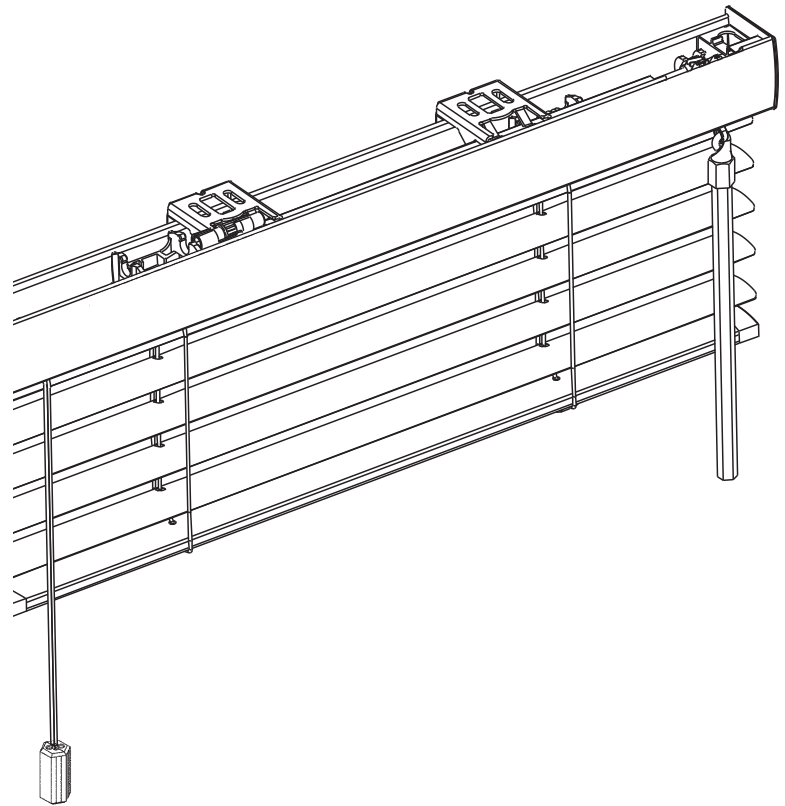
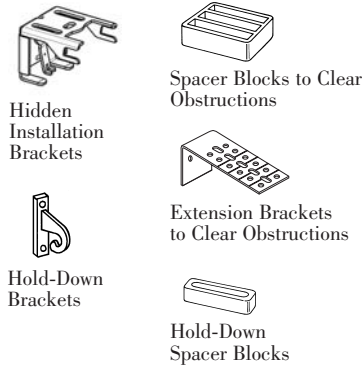
STANDARD

| BLIND HEIGHT* OPEN | STACKING HEIGHT CLOSED |
|--------------------|------------------------|
| 12" | 1 13/16" |
| 18" | 1 15/16" |
| 24" | 2 1/8" |
| 36" | 2 3/8" |
| 48" | 2 5/8" |
| 60" | 2 15/16" |
| 72" | 3 3/16" |
| 84" | 3 1/2" |
| 96" | 3 3/4" |
| 118" | 4 1/4" |
| 120" | 4 5/16" |

* Blind Heights
Include Headrail
and Bottom Rail.

ARISTOCRAT 1-INCH BLINDS

INSTALLATION HARDWARE



BRACKET REQUIREMENTS

| BLIND WIDTH | INSTALLATION BRACKETS REQUIRED |
|-----------------|--------------------------------|
| UP TO 35" | 2 |
| 35 1/8" TO 63" | 3 |
| 63 1/8" TO 90" | 4 |
| 90 1/8" TO 118" | 5 |

PRIVACY FEATURE

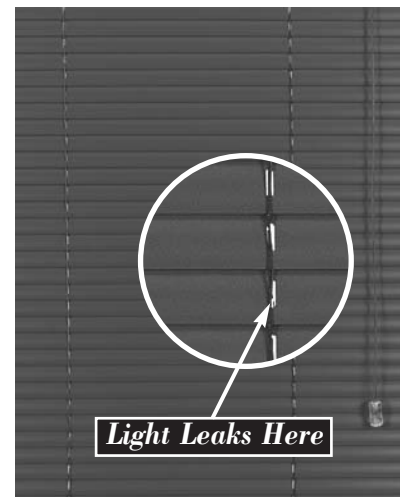
Price Group 1A

ARISTOCRAT PRIVACY BLINDS are designed to maximize light control and provide superior room darkening and privacy. By adding extra slats for tighter spacing and more overlap, and offsetting the rout holes in the slats, Privacy blinds achieve a more aesthetically pleasing appearance, and when the slats are closed, eliminate the light leaks through rout holes common with standard blinds.



PRIVACY BLIND

Tighter ladder spacing (more slats per blind) and offset rout holes create a more beautiful blind, and also block out unwanted light when slats are closed.



STANDARD BLIND

Standard ladder spacing and traditional center rout holes allow light to leak into the room when the slats are closed, and provide less privacy.

ARISTOCRAT 1-INCH BLINDS

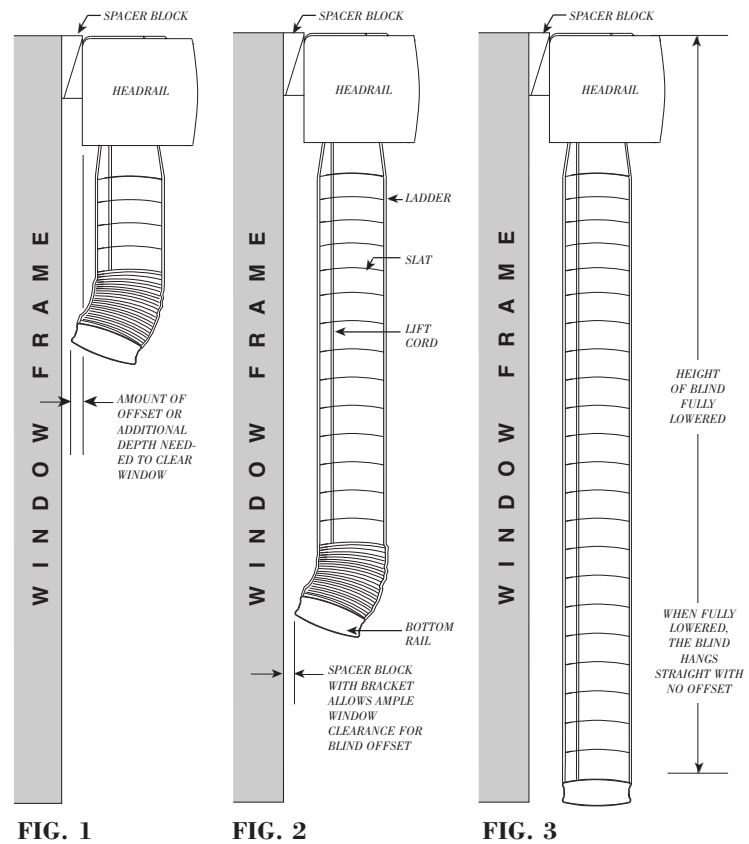
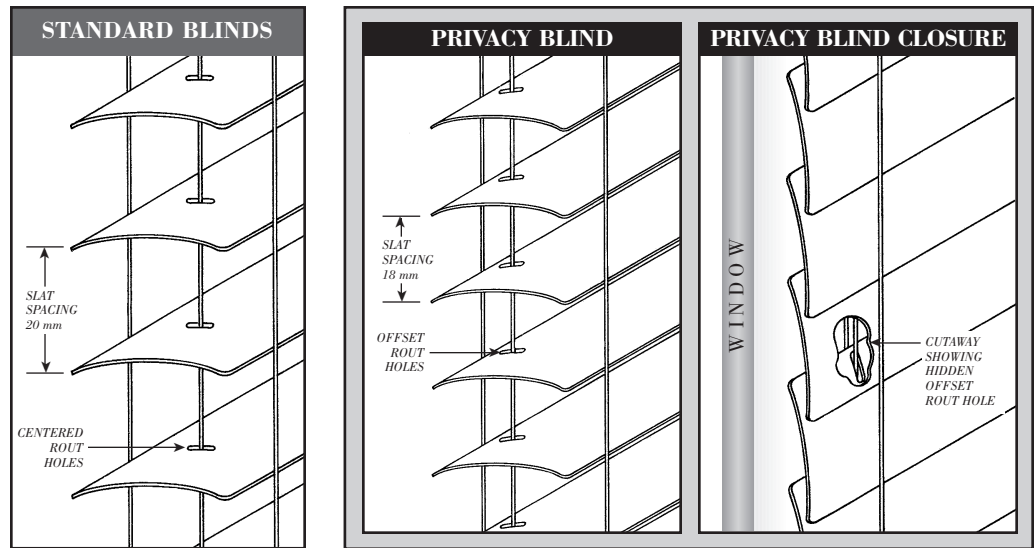
Privacy Blinds Provide Tighter Ladder Spacing For Superior Closure

Closer slat spacing (18mm) means more slats per blind. By completely covering the rout holes, Aristocrat Privacy Blinds provide tighter closure, greater privacy, and no unsightly rows of light to mar the beauty of the blind.

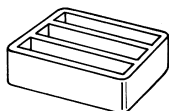
With its offset rout hole design, an Aristocrat Privacy Blind will tilt towards the window when it is raised from a full drop (fig. 1 & 2). When fully lowered, there is no offset and the blind hangs straight (fig. 3).

The amount of offset stacking that occurs varies with the overall length of the blind ordered. Precise offset amounts are shown in the following chart. Please note that this offset is a design characteristic of this blind and not a defect.

| PRIVACY BLIND SLAT STACK OFFSET | |
|---------------------------------|------------------------------|
| HEIGHT OF BLIND FULLY LOWERED | AMOUNT OF OFFSET WHEN RAISED |
| 12" | 1/4" |
| 24" | 7/16" |
| 36" | 9/16" |
| 48" | 11/16" |
| 60" | 3/4" |
| 72" | 13/16" |
| 84" | 13/16" |
| 96" | 7/8" |
| 108" | 7/8" |
| 120" | 7/8" |



To compensate for offset stacking, SPACER BLOCKS are automatically included along with the mounting brackets. The number of spacer blocks included is determined by the length of the blind ordered and how it will be mounted.



NO SPACER BLOCKS are needed for blinds that will be ceiling mounted or inside mounted. Only mounting brackets are provided with these orders.

ONE 3/8-INCH SPACER BLOCK is included for each mounting bracket to provide clearance for stacking offset... for outside mounted blinds ordered up to 24 inches in length.

2 OR 3 SPACER BLOCKS are included for each mounting bracket to provide clearance for stacking offset... for outside mounted blinds ordered that are over 24 inches in length.

ABBEY COURT 1-INCH BLINDS

PRICE GROUP

B

**ABBEY COURT
1-INCH BLINDS**

- .006 GAUGE 1-INCH SLATS
- 21.5mm LADDER SPACING

- STANDARD RECTANGULAR
- SOLID COLORS

| Height To: | Width: | 23" | 26" | 29" | 32" | 36" | 40" | 44" | 48" | 52" | 57" | 62" | 67" | 72" | 82" | 92" | 102" | 112" | 122" | 132" | 142" |
|------------|--------|-----|-----|-----|-----|-----|-----|-----|-----|-----|-----|-----|-----|-----|-----|-----|------|------|------|------|------|
| | 42" | 45 | 48 | 53 | 57 | 63 | 69 | 75 | 79 | 84 | 98 | 101 | 108 | 115 | 130 | 142 | 163 | 197 | 212 | 228 | 240 |
| 48" | 48 | 53 | 60 | 62 | 72 | 75 | 82 | 87 | 92 | 106 | 113 | 120 | 128 | 142 | 158 | 178 | 216 | 233 | 247 | 262 | |
| 54" | 53 | 60 | 63 | 67 | 75 | 82 | 89 | 94 | 101 | 115 | 123 | 130 | 139 | 156 | 173 | 192 | 231 | 250 | 265 | 283 | |
| 60" | 58 | 62 | 67 | 74 | 82 | 89 | 96 | 101 | 110 | 123 | 132 | 140 | 149 | 170 | 187 | 211 | 248 | 271 | 288 | 305 | |
| 66" | 62 | 67 | 74 | 79 | 89 | 96 | 101 | 111 | 116 | 132 | 140 | 151 | 161 | 180 | 200 | 224 | 265 | 288 | 307 | 325 | |
| 72" | 65 | 72 | 77 | 84 | 92 | 101 | 110 | 116 | 125 | 142 | 152 | 161 | 173 | 194 | 214 | 242 | 283 | 307 | 331 | 348 | |
| 78" | 69 | 75 | 82 | 89 | 99 | 108 | 116 | 125 | 134 | 151 | 161 | 173 | 183 | 207 | 228 | 257 | 300 | 325 | 356 | 368 | |
| 84" | 74 | 81 | 87 | 94 | 106 | 113 | 123 | 132 | 142 | 161 | 171 | 183 | 194 | 219 | 242 | 272 | 317 | 346 | 368 | 391 | |
| 90" | 77 | 84 | 91 | 99 | 111 | 122 | 130 | 140 | 149 | 170 | 180 | 194 | 206 | 231 | 257 | 288 | 334 | 363 | 387 | 413 | |
| 96" | 82 | 89 | 96 | 104 | 116 | 128 | 139 | 147 | 158 | 178 | 190 | 204 | 218 | 245 | 271 | 303 | 351 | 382 | 406 | 435 | |
| 108" | 86 | 92 | 101 | 110 | 123 | 134 | 144 | 156 | 166 | 187 | 202 | 214 | 228 | 259 | 286 | 319 | 368 | 399 | 428 | 454 | |
| 114" | 89 | 98 | 106 | 115 | 128 | 140 | 152 | 164 | 175 | 195 | 211 | 224 | 240 | 271 | 300 | 334 | 385 | 420 | 449 | 478 | |
| 120" | 92 | 101 | 111 | 120 | 135 | 147 | 159 | 171 | 183 | 206 | 219 | 236 | 250 | 283 | 312 | 351 | 403 | 438 | 468 | 498 | |
| 132" | 96 | 106 | 116 | 125 | 140 | 152 | 166 | 178 | 192 | 214 | 230 | 245 | 260 | 296 | 327 | 368 | 420 | 456 | 488 | 519 | |
| 144" | 101 | 111 | 122 | 130 | 147 | 161 | 173 | 187 | 200 | 223 | 240 | 257 | 274 | 308 | 341 | 382 | 437 | 474 | 509 | 541 | |

Sizes to the right of the heavy line, Two-on-One headrail recommended for easier raising and lowering of blind.

SURCHARGES:

MULTI-COLOR BLINDS:

First Added Color \$10
 Each Additional Color \$4

**MULTIPLE BLINDS
ON ONE HEADRAIL:**

Price each blind individually.
 Add together for total price.

UNDERSIZED BLINDS:

Blinds Less Than 12" Wide \$18
 Blinds Less Than 17" Long \$10

CUT-OUTS:

Side Cut-out 6" or Less per side \$4
 Side Cut-out 6-1/8" or More per side \$10
 Center Cut-out \$10

PREMIUM SLAT SURCHARGES:

Metallic Add 15% (base price x 1.15)
 Pearls Add 75% (base price x 1.75)

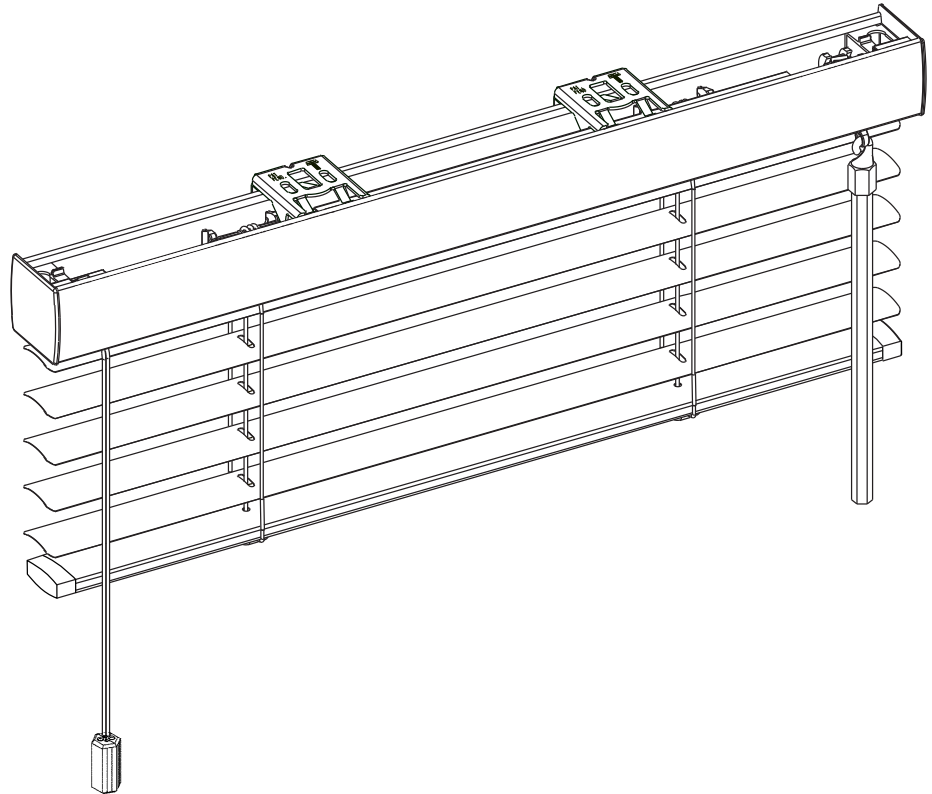
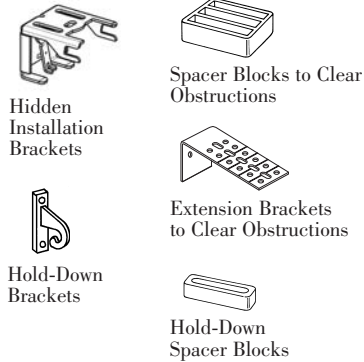
SPECIFICATIONS:

Minimum Width 12 in.
 Maximum Width of a Single Blind 142 in.
 Maximum Width of 2 or 3 Blinds
 on one headrail 190 in.
 Maximum Length 144 in.
 Maximum Square Feet Single Blind 90 sq. ft.
 Blind will Tilt Only 6 - 10 3/8 in.
 Blind must have Split Controls 10 1/2 - 18 in.
 Blind can have Controls
 in any position 18 1/8 in. or more

For Abbey Court 1-inch aluminum blind color availability, see color charts on pages 23 and 24.

ABBEY COURT 1-INCH BLINDS

INSTALLATION HARDWARE



BRACKET REQUIREMENTS

| BLIND WIDTH | INSTALLATION BRACKETS REQUIRED |
|-----------------|--------------------------------|
| UP TO 35" | 2 |
| 35 1/8" TO 63" | 3 |
| 63 1/8" TO 90" | 4 |
| 90 1/8" TO 118" | 5 |

SLAT COUNT • ABBEY COURT 1-INCH BLINDS

SPACING BETWEEN SLATS - 21.5 mm

| BLIND HEIGHT | NO. OF SLATS | BLIND HEIGHT | NO. OF SLATS | BLIND HEIGHT | NO. OF SLATS | BLIND HEIGHT | NO. OF SLATS |
|--------------|--------------|--------------|--------------|--------------|--------------|--------------|--------------|
| 6" | 7 | 42" | 49 | 78" | 91 | 114" | 133 |
| 8" | 10 | 44" | 52 | 80" | 94 | 116" | 135 |
| 10" | 12 | 46" | 54 | 82" | 96 | 118" | 138 |
| 12" | 14 | 48" | 56 | 84" | 98 | 120" | 140 |
| 14" | 17 | 50" | 59 | 86" | 100 | 122" | 142 |
| 16" | 19 | 52" | 61 | 88" | 103 | 124" | 145 |
| 18" | 21 | 54" | 63 | 90" | 105 | 126" | 147 |
| 20" | 24 | 56" | 66 | 92" | 107 | 128" | 149 |
| 22" | 26 | 58" | 68 | 94" | 110 | 130" | 152 |
| 24" | 28 | 60" | 70 | 96" | 112 | 132" | 154 |
| 26" | 31 | 62" | 73 | 98" | 114 | 134" | 156 |
| 28" | 33 | 64" | 75 | 100" | 117 | 136" | 159 |
| 30" | 35 | 66" | 77 | 102" | 119 | 138" | 161 |
| 32" | 38 | 68" | 80 | 104" | 121 | 140" | 163 |
| 34" | 40 | 70" | 82 | 106" | 124 | 142" | 166 |
| 36" | 42 | 72" | 84 | 108" | 126 | | |
| 38" | 45 | 74" | 87 | 110" | 128 | | |
| 40" | 47 | 76" | 89 | 112" | 131 | | |

STACKING

STANDARD

| BLIND HEIGHT* OPEN | STACKING HEIGHT CLOSED |
|--------------------|------------------------|
| 12" | 1 13/16" |
| 18" | 1 15/16" |
| 24" | 2 1/8" |
| 36" | 2 3/8" |
| 48" | 2 5/8" |
| 60" | 2 15/16" |
| 72" | 3 3/16" |
| 84" | 3 1/2" |
| 96" | 3 3/4" |
| 118" | 4 1/4" |
| 120" | 4 5/16" |

* Blind Heights Include Headrail and Bottom Rail.

ABBEY COURT 1/2-INCH BLINDS

PRICE GROUP

C

ABBEY COURT
1/2-INCH BLINDS

- .006 GAUGE 1/2-INCH SLATS
- 12mm LADDER SPACING
- STANDARD RECTANGULAR
- SOLID COLORS

| Height To: | Width: | 23" | 26" | 29" | 32" | 36" | 40" | 44" | 48" | 52" | 57" | 62" | 67" | 72" | 82" | 92" | 102" | 112" | 122" | 132" | 142" |
|------------|--------|-----|-----|-----|-----|-----|-----|-----|-----|-----|-----|-----|-----|-----|-----|-----|------|------|------|------|------|
| | 42" | 51 | 55 | 60 | 64 | 72 | 78 | 86 | 90 | 95 | 111 | 115 | 123 | 130 | 148 | 162 | 185 | 224 | 241 | 259 | 273 |
| 48" | 55 | 60 | 68 | 70 | 82 | 86 | 93 | 99 | 105 | 121 | 128 | 136 | 146 | 162 | 179 | 202 | 245 | 265 | 280 | 298 | |
| 54" | 60 | 68 | 72 | 76 | 86 | 93 | 101 | 107 | 115 | 130 | 140 | 148 | 158 | 177 | 197 | 218 | 263 | 284 | 302 | 321 | |
| 60" | 66 | 70 | 76 | 84 | 93 | 101 | 109 | 115 | 125 | 140 | 150 | 160 | 169 | 193 | 212 | 239 | 282 | 308 | 327 | 346 | |
| 66" | 70 | 76 | 84 | 90 | 101 | 109 | 115 | 127 | 132 | 150 | 160 | 171 | 183 | 204 | 228 | 255 | 302 | 327 | 348 | 370 | |
| 72" | 74 | 82 | 88 | 95 | 105 | 115 | 125 | 132 | 142 | 162 | 173 | 183 | 197 | 220 | 243 | 274 | 321 | 348 | 376 | 395 | |
| 78" | 78 | 86 | 93 | 101 | 113 | 123 | 132 | 142 | 152 | 171 | 183 | 197 | 208 | 236 | 259 | 292 | 341 | 370 | 405 | 418 | |
| 84" | 84 | 91 | 99 | 107 | 121 | 128 | 140 | 150 | 162 | 183 | 195 | 208 | 220 | 249 | 274 | 309 | 360 | 393 | 418 | 444 | |
| 90" | 88 | 95 | 103 | 113 | 127 | 138 | 148 | 160 | 169 | 193 | 204 | 220 | 234 | 263 | 292 | 327 | 380 | 413 | 440 | 469 | |
| 96" | 93 | 101 | 109 | 119 | 132 | 146 | 158 | 167 | 179 | 202 | 216 | 232 | 247 | 278 | 308 | 345 | 399 | 434 | 461 | 494 | |
| 108" | 97 | 105 | 115 | 125 | 140 | 152 | 164 | 177 | 189 | 212 | 230 | 243 | 259 | 294 | 325 | 362 | 418 | 454 | 487 | 516 | |
| 114" | 101 | 111 | 121 | 130 | 146 | 160 | 173 | 187 | 199 | 222 | 239 | 255 | 273 | 308 | 341 | 380 | 438 | 477 | 510 | 543 | |
| 120" | 105 | 115 | 127 | 136 | 154 | 167 | 181 | 195 | 208 | 234 | 249 | 269 | 284 | 321 | 354 | 399 | 457 | 498 | 531 | 566 | |
| 132" | 109 | 121 | 132 | 142 | 160 | 173 | 189 | 202 | 218 | 243 | 261 | 278 | 296 | 337 | 372 | 418 | 477 | 518 | 555 | 590 | |
| 144" | 115 | 127 | 138 | 148 | 167 | 183 | 197 | 212 | 228 | 253 | 273 | 292 | 311 | 350 | 387 | 434 | 496 | 539 | 578 | 615 | |

SURCHARGES:

MULTI-COLOR BLINDS:

First Added Color \$10
 Each Additional Color \$4

**MULTIPLE BLINDS
ON ONE HEADRAIL:**

Price each blind individually.
 Add together for total price.

UNDERSIZED BLINDS:

Blinds Less Than 12" Wide \$18
 Blinds Less Than 17" Long \$10

CUT-OUTS:

Side Cut-out 6" or Less *per side* \$4
 Side Cut-out 6-1/8" or More *per side* \$10
 Center Cut-out \$10

PREMIUM SLAT SURCHARGES:

Metallic *Add 15% (base price x 1.15)*

SPECIFICATIONS:

Minimum Width 12 in.
 Maximum Width of a Single Blind 142 in.
 Maximum Width of 2 or 3 Blinds
 on one headrail 190 in.
 Maximum Length 144 in.
 Maximum Square Feet Single Blind 90 sq. ft.
 Blind will Tilt Only 6 - 10 3/8 in.
 Blind must have Split Controls 10 1/2 - 18 in.
 Blind can have Controls
 in any position 18 1/8 in. or more

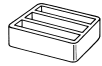
For Abbey Court 1/2-inch aluminum blind color availability, see color charts on pages 23 and 24.

ABBEY COURT 1/2-INCH BLINDS

INSTALLATION HARDWARE



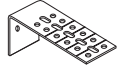
Hidden Installation Brackets



Spacer Blocks to Clear Obstructions



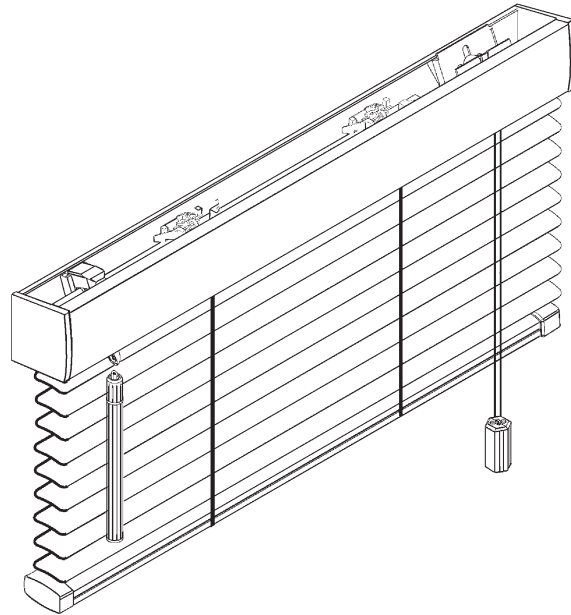
Hold-Down Brackets



Extension Brackets to Clear Obstructions



Hold-Down Spacer Blocks



BRACKET REQUIREMENTS

| BLIND WIDTH | SUPPORT BRACKETS REQUIRED |
|-----------------|---------------------------|
| UP TO 48" | 0 |
| 48 1/8" TO 72" | 1 |
| 72 1/8" TO 96" | 2 |
| 96 1/8" TO 120" | 3 |
| OVER 120" | 4 |

SLAT COUNT • 1/2-INCH STANDARD BLINDS

SPACING BETWEEN SLATS - 12 mm

| BLIND HEIGHT | NO. OF SLATS | BLIND HEIGHT | NO. OF SLATS | BLIND HEIGHT | NO. OF SLATS | BLIND HEIGHT | NO. OF SLATS | BLIND HEIGHT | NO. OF SLATS |
|--------------|--------------|--------------|--------------|--------------|--------------|--------------|--------------|--------------|--------------|
| 13 1/8" | 25 | 34 3/4" | 71 | 56 3/8" | 117 | 78" | 163 | 99 7/8" | 209 |
| 13 1/2" | 26 | 35 1/4" | 72 | 56 7/8" | 118 | 78 1/2" | 164 | 100 3/8" | 210 |
| 14" | 27 | 35 5/8" | 73 | 57 3/8" | 119 | 79" | 165 | 100 7/8" | 211 |
| 14 1/2" | 28 | 36 1/8" | 74 | 57 3/4" | 120 | 79 3/8" | 166 | 101 3/8" | 212 |
| 15" | 29 | 36 5/8" | 75 | 58 1/4" | 121 | 80 1/8" | 167 | 101 3/4" | 213 |
| 15 3/8" | 30 | 37 1/8" | 76 | 58 3/4" | 122 | 80 5/8" | 168 | 102 1/4" | 214 |
| 15 7/8" | 31 | 37 5/8" | 77 | 59 1/8" | 123 | 81 1/8" | 169 | 102 3/4" | 215 |
| 16 3/8" | 32 | 38" | 78 | 59 5/8" | 124 | 81 1/2" | 170 | 103 1/4" | 216 |
| 16 3/4" | 33 | 38 1/2" | 79 | 60 1/8" | 125 | 82" | 171 | 103 5/8" | 217 |
| 17 1/4" | 34 | 39" | 80 | 60 5/8" | 126 | 82 1/2" | 172 | 104 1/8" | 218 |
| 17 3/4" | 35 | 39 1/2" | 81 | 61 1/8" | 127 | 82 7/8" | 173 | 104 5/8" | 219 |
| 18 1/4" | 36 | 39 7/8" | 82 | 61 5/8" | 128 | 83 3/8" | 174 | 105 1/8" | 220 |
| 18 3/4" | 37 | 40 3/8" | 83 | 62" | 129 | 83 7/8" | 175 | 105 1/2" | 221 |
| 19 1/8" | 38 | 40 7/8" | 84 | 62 1/2" | 130 | 84 3/8" | 176 | 106" | 222 |
| 19 5/8" | 39 | 41 3/8" | 85 | 63" | 131 | 84 3/4" | 177 | 106 1/2" | 223 |
| 20 1/8" | 40 | 41 3/4" | 86 | 63 1/2" | 132 | 85 1/4" | 178 | 107" | 224 |
| 20 5/8" | 41 | 42 1/4" | 87 | 63 7/8" | 133 | 85 3/4" | 179 | 107 3/8" | 225 |
| 21" | 42 | 42 3/4" | 88 | 64 3/8" | 134 | 86 1/4" | 180 | 107 7/8" | 226 |
| 21 1/2" | 43 | 43 1/4" | 89 | 64 7/8" | 135 | 86 3/4" | 181 | 108 3/8" | 227 |
| 22" | 44 | 43 5/8" | 90 | 65 3/8" | 136 | 87 1/8" | 182 | 108 3/4" | 228 |
| 22 1/2" | 45 | 44 1/8" | 91 | 65 7/8" | 137 | 87 5/8" | 183 | 109 1/4" | 229 |
| 23" | 46 | 44 5/8" | 92 | 66 1/4" | 138 | 88 1/8" | 184 | 109 3/4" | 230 |
| 23 3/8" | 47 | 45 1/8" | 93 | 66 3/4" | 139 | 88 5/8" | 185 | 110 1/4" | 231 |
| 23 7/8" | 48 | 45 5/8" | 94 | 67 1/4" | 140 | 89 1/8" | 186 | 110 5/8" | 232 |
| 24 3/8" | 49 | 46" | 95 | 67 3/4" | 141 | 89 5/8" | 187 | 111 1/4" | 233 |
| 24 7/8" | 50 | 46 1/2" | 96 | 68 1/8" | 142 | 90" | 188 | 111 5/8" | 234 |
| 25 1/4" | 51 | 47" | 97 | 68 5/8" | 143 | 90 1/2" | 189 | 112 1/8" | 235 |
| 25 3/4" | 52 | 47 1/2" | 98 | 69 1/8" | 144 | 91" | 190 | 112 5/8" | 236 |
| 26 1/4" | 53 | 47 7/8" | 99 | 69 1/2" | 145 | 91 3/8" | 191 | 113 1/8" | 237 |
| 26 3/4" | 54 | 48 3/8" | 100 | 70" | 146 | 91 7/8" | 192 | 113 1/2" | 238 |
| 27 1/4" | 55 | 48 7/8" | 101 | 70 1/2" | 147 | 92 3/8" | 193 | 114" | 239 |
| 27 5/8" | 56 | 49 1/4" | 102 | 71" | 148 | 92 7/8" | 194 | 114 1/2" | 240 |
| 28 1/8" | 57 | 49 3/4" | 103 | 71 1/2" | 149 | 93 3/8" | 195 | 115" | 241 |
| 28 5/8" | 58 | 50 1/4" | 104 | 71 7/8" | 150 | 93 3/4" | 196 | 115 1/2" | 242 |
| 29 1/8" | 59 | 50 3/4" | 105 | 72 3/8" | 151 | 94 1/4" | 197 | 115 7/8" | 243 |
| 29 1/2" | 60 | 51 1/4" | 106 | 72 7/8" | 152 | 94 3/4" | 198 | 116 3/8" | 244 |
| 30" | 61 | 51 5/8" | 107 | 73 3/8" | 153 | 95 1/4" | 199 | 116 7/8" | 245 |
| 30 1/2" | 62 | 52 1/8" | 108 | 73 3/4" | 154 | 95 5/8" | 200 | 117 1/4" | 246 |
| 31" | 63 | 52 5/8" | 109 | 74 1/4" | 155 | 96 1/8" | 201 | 117 3/4" | 247 |
| 31 3/8" | 64 | 53 1/8" | 110 | 74 3/4" | 156 | 96 5/8" | 202 | 118 1/4" | 248 |
| 31 7/8" | 65 | 53 1/2" | 111 | 75 1/4" | 157 | 97 1/8" | 203 | 118 3/4" | 249 |
| 32 3/8" | 66 | 54" | 112 | 75 3/4" | 158 | 97 1/2" | 204 | 119 1/4" | 250 |
| 32 7/8" | 67 | 54 1/2" | 113 | 76 1/8" | 159 | 98" | 205 | 119 5/8" | 251 |
| 33 1/4" | 68 | 55" | 114 | 76 5/8" | 160 | 98 1/2" | 206 | 120 1/8" | 252 |
| 33 3/4" | 69 | 55 1/2" | 115 | 77 1/8" | 161 | 99" | 207 | | |
| 34 1/4" | 70 | 56" | 116 | 77 5/8" | 162 | 99 3/8" | 208 | | |

STACKING

STANDARD

| BLIND HEIGHT* OPEN | STACKING HEIGHT CLOSED |
|-----------------------|---------------------------|
| 12" | 1 9/16" |
| 18" | 1 11/16" |
| 24" | 1 7/8" |
| 36" | 2 1/8" |
| 48" | 2 3/8" |
| 60" | 2 11/16" |
| 72" | 2 15/16" |
| 84" | 3 1/4" |
| 96" | 3 1/2" |
| 118" | 4 " |
| 120" | 4 1/16" |
| 132" | 4 5/16" |
| 142" | 4 9/16" |

* Blind Heights Include Headrail and Bottom Rail.

ANDOVER 1-INCH BLINDS

PRICE GROUP

D

**ANDOVER
1-INCH BLINDS**

- .006 GAUGE 1-INCH SLATS
- 21.5mm LADDER SPACING
- STANDARD RECTANGULAR
- SOLID COLORS

| Height To: | Width: | 23" | 26" | 29" | 32" | 36" | 40" | 44" | 48" | 52" | 57" | 62" | 67" | 72" | 82" | 92" | 102" | 112" | 122" | 132" | 142" |
|------------|--------|-----|-----|-----|-----|-----|-----|-----|-----|-----|-----|-----|-----|-----|-----|-----|------|------|------|------|------|
| | 42" | 37 | 40 | 44 | 47 | 53 | 57 | 63 | 66 | 70 | 81 | 84 | 90 | 96 | 108 | 118 | 136 | 164 | 177 | 190 | 200 |
| 48" | 40 | 44 | 50 | 51 | 60 | 63 | 69 | 73 | 77 | 88 | 94 | 100 | 107 | 118 | 131 | 148 | 180 | 194 | 206 | 218 | |
| 54" | 44 | 50 | 53 | 56 | 63 | 69 | 74 | 79 | 84 | 96 | 103 | 108 | 116 | 130 | 144 | 160 | 193 | 208 | 221 | 236 | |
| 60" | 49 | 51 | 56 | 61 | 69 | 74 | 80 | 84 | 91 | 103 | 110 | 117 | 124 | 141 | 156 | 176 | 207 | 226 | 240 | 254 | |
| 66" | 51 | 56 | 61 | 66 | 74 | 80 | 84 | 93 | 97 | 110 | 117 | 126 | 134 | 150 | 167 | 187 | 221 | 240 | 256 | 271 | |
| 72" | 54 | 60 | 64 | 70 | 77 | 84 | 91 | 97 | 104 | 118 | 127 | 134 | 144 | 161 | 178 | 201 | 236 | 256 | 275 | 290 | |
| 78" | 57 | 63 | 69 | 74 | 83 | 90 | 97 | 104 | 111 | 126 | 134 | 144 | 153 | 173 | 190 | 214 | 250 | 271 | 297 | 307 | |
| 84" | 61 | 67 | 73 | 79 | 88 | 94 | 103 | 110 | 118 | 134 | 143 | 153 | 161 | 183 | 201 | 227 | 264 | 288 | 307 | 325 | |
| 90" | 64 | 70 | 76 | 83 | 93 | 101 | 108 | 117 | 124 | 141 | 150 | 161 | 171 | 193 | 214 | 240 | 278 | 303 | 323 | 344 | |
| 96" | 69 | 74 | 80 | 87 | 97 | 107 | 116 | 123 | 131 | 148 | 158 | 170 | 181 | 204 | 226 | 253 | 293 | 318 | 338 | 363 | |
| 108" | 71 | 77 | 84 | 91 | 103 | 111 | 120 | 130 | 138 | 156 | 168 | 178 | 190 | 216 | 238 | 265 | 307 | 333 | 357 | 378 | |
| 114" | 74 | 81 | 88 | 96 | 107 | 117 | 127 | 137 | 146 | 163 | 176 | 187 | 200 | 226 | 250 | 278 | 321 | 350 | 374 | 398 | |
| 120" | 77 | 84 | 93 | 100 | 113 | 123 | 133 | 143 | 153 | 171 | 183 | 197 | 208 | 236 | 260 | 293 | 335 | 365 | 390 | 415 | |
| 132" | 80 | 88 | 97 | 104 | 117 | 127 | 138 | 148 | 160 | 178 | 191 | 204 | 217 | 247 | 273 | 307 | 350 | 380 | 407 | 433 | |
| 144" | 84 | 93 | 101 | 108 | 123 | 134 | 144 | 156 | 167 | 186 | 200 | 214 | 228 | 257 | 284 | 318 | 364 | 395 | 424 | 451 | |

Sizes to the right of the heavy line, Two-on-One headrail recommended for easier raising and lowering of blind.

DELUXE GROOVER VALANCE

| WIDTH TO: > | 23" | 26" | 29" | 32" | 36" | 40" | 44" | 48" | 52" | 57" | 62" | 67" | 72" | 82" | 92" | 102" | 112" | 122" | 132" | 142" |
|-------------|-----|-----|-----|-----|-----|-----|-----|-----|-----|-----|-----|-----|-----|-----|-----|------|------|------|------|------|
| ADD: | 13 | 14 | 17 | 18 | 20 | 21 | 24 | 27 | 28 | 30 | 32 | 37 | 39 | 43 | 49 | 53 | 59 | 64 | 70 | 74 |

SURCHARGES:

MULTI-COLOR BLINDS:

First Added Color \$10
 Each Additional Color \$4

MULTIPLE BLINDS

ON ONE HEADRAIL:

Price each blind individually.
 Add together for total price.

UNDERSIZED BLINDS:

Blinds Less Than 12" Wide \$18
 Blinds Less Than 17" Long \$10

CUT-OUTS:

Side Cut-out 6" or Less per side \$4
 Side Cut-out 6-1/8" or More per side \$10
 Center Cut-out \$10

PREMIUM SLAT SURCHARGES:

Metallic Add 15% (base price x 1.15)

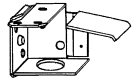
SPECIFICATIONS:

Minimum Width 12 in.
 Maximum Width of a Single Blind 142 in.
 Maximum Width of 2 or 3 Blinds
 on one headrail 190 in.
 Maximum Length 144 in.
 Maximum Square Feet Single Blind 90 sq. ft.
 Blind will Tilt Only 6 - 10 3/8 in.
 Blind must have Split Controls 10 1/2 - 18 in.
 Blind can have Controls
 in any position 18 1/8 in. or more

For Andover 1-inch aluminum blind color availability, see color charts on pages 23 and 24.

ANDOVER 1-INCH BLINDS

INSTALLATION HARDWARE



Box Style Installation Brackets



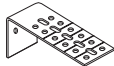
Spacer Blocks to Clear Obstructions



Choice of
 1 2-Slat Clip-on Valance (Standard) or
 2 Optional Deluxe Groover Style 2-Slat Valance



Cam Style Installation Brackets



Extension Brackets to Clear Obstructions



Hold-Down Brackets



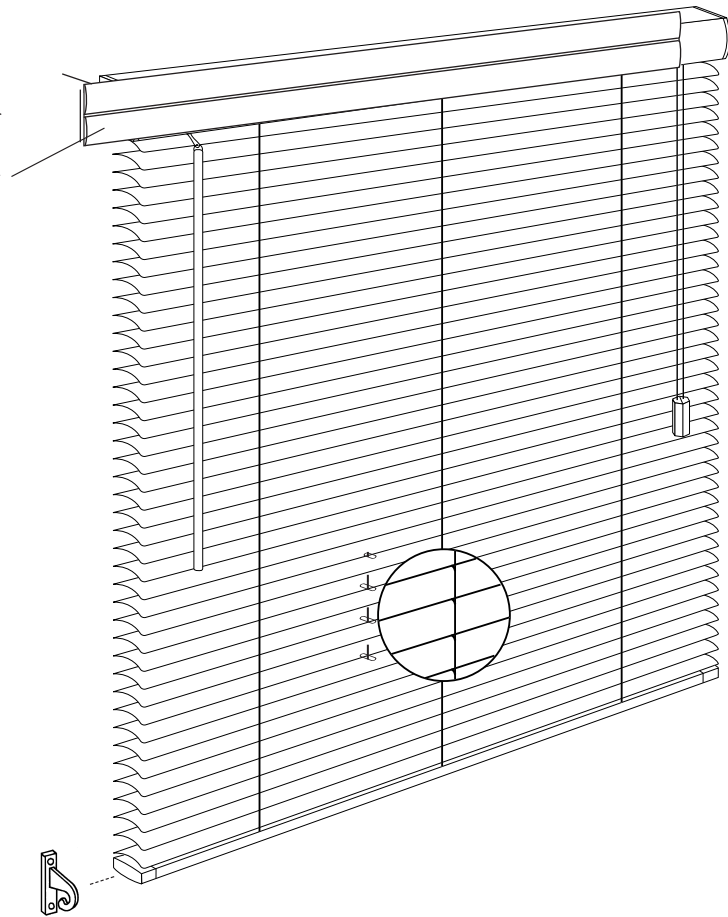
Support Brackets for Large Blinds



Hold-Down Spacer Blocks



Valance Clips for 2-Slat Valance



BRACKET REQUIREMENTS

| BLIND WIDTH | SUPPORT BRACKETS REQUIRED |
|-----------------|---------------------------|
| UP TO 48" | 0 |
| 48 1/8" TO 72" | 1 |
| 72 1/8" TO 96" | 2 |
| 96 1/8" TO 120" | 3 |
| OVER 120" | 4 |

SLAT COUNT • STANDARD BLINDS

SPACING BETWEEN SLATS - 21.5 mm

| BLIND HEIGHT | NO. OF SLATS | BLIND HEIGHT | NO. OF SLATS | BLIND HEIGHT | NO. OF SLATS | BLIND HEIGHT | NO. OF SLATS |
|--------------|--------------|--------------|--------------|--------------|--------------|--------------|--------------|
| 6" | 7 | 38" | 45 | 70" | 82 | 102" | 119 |
| 8" | 10 | 40" | 47 | 72" | 84 | 104" | 121 |
| 10" | 12 | 42" | 49 | 74" | 87 | 106" | 124 |
| 12" | 14 | 44" | 52 | 76" | 89 | 108" | 126 |
| 14" | 17 | 46" | 54 | 78" | 91 | 110" | 128 |
| 16" | 19 | 48" | 56 | 80" | 94 | 112" | 131 |
| 18" | 21 | 50" | 59 | 82" | 96 | 114" | 133 |
| 20" | 24 | 52" | 61 | 84" | 98 | 116" | 135 |
| 22" | 46 | 54" | 63 | 86" | 100 | 118" | 138 |
| 24" | 28 | 56" | 66 | 88" | 103 | 120" | 140 |
| 26" | 31 | 58" | 68 | 90" | 105 | 122" | 142 |
| 28" | 33 | 60" | 70 | 92" | 107 | 124" | 145 |
| 30" | 35 | 62" | 73 | 94" | 110 | 126" | 147 |
| 32" | 38 | 64" | 75 | 96" | 112 | 128" | 149 |
| 34" | 40 | 66" | 77 | 98" | 114 | 130" | 152 |
| 36" | 42 | 68" | 80 | 100" | 117 | | |

STACKING

STANDARD

| BLIND HEIGHT* OPEN | STACKING HEIGHT CLOSED |
|--------------------|------------------------|
| 12" | 1 9/16" |
| 18" | 1 11/16" |
| 24" | 1 7/8" |
| 36" | 2 1/8" |
| 48" | 2 3/8" |
| 60" | 2 11/16" |
| 72" | 2 15/16" |
| 84" | 3 1/4" |
| 96" | 3 1/2" |
| 118" | 4" |
| 120" | 4 1/16" |
| 132" | 4 5/16" |
| 142" | 4 9/16" |

* Blind Heights Include Headrail and Bottom Rail.

ARISTOCRAT 2-INCH BLINDS

PRICE GROUP

E

**ARISTOCRAT
2-INCH BLINDS**

- .010 GAUGE 2-INCH SLATS
- 44mm LADDER SPACING
- STANDARD RECTANGULAR
- SOLID COLORS

| Height To: | Width: | 23" | 26" | 29" | 32" | 36" | 40" | 44" | 48" | 52" | 57" | 62" | 67" | 72" | 82" | 92" | 102" | 112" | 122" | 132" | 142" | |
|------------|--------|-----|-----|-----|-----|-----|-----|-----|-----|-----|-----|-----|-----|-----|-----|-----|------|------|------|------|------|--|
| | 42" | 57 | 63 | 68 | 75 | 83 | 89 | 97 | 103 | 110 | 127 | 132 | 141 | 150 | 169 | 185 | 213 | 257 | 278 | 296 | 313 | |
| 48" | 63 | 68 | 77 | 81 | 92 | 99 | 107 | 114 | 121 | 139 | 147 | 156 | 166 | 185 | 205 | 232 | 280 | 304 | 322 | 341 | | |
| 54" | 68 | 77 | 82 | 87 | 99 | 107 | 116 | 123 | 131 | 148 | 160 | 169 | 181 | 203 | 224 | 253 | 302 | 326 | 348 | 369 | | |
| 60" | 75 | 81 | 87 | 95 | 107 | 116 | 125 | 132 | 143 | 161 | 170 | 184 | 194 | 220 | 242 | 274 | 324 | 352 | 375 | 397 | | |
| 66" | 80 | 87 | 95 | 102 | 115 | 125 | 132 | 145 | 153 | 173 | 184 | 196 | 210 | 234 | 260 | 294 | 345 | 376 | 401 | 424 | | |
| 72" | 86 | 93 | 100 | 108 | 121 | 132 | 143 | 153 | 164 | 184 | 199 | 210 | 224 | 253 | 278 | 314 | 369 | 401 | 426 | 453 | | |
| 78" | 89 | 99 | 107 | 116 | 129 | 141 | 152 | 164 | 174 | 196 | 210 | 224 | 238 | 269 | 297 | 334 | 391 | 424 | 453 | 481 | | |
| 84" | 96 | 104 | 114 | 123 | 138 | 148 | 161 | 172 | 185 | 210 | 224 | 238 | 253 | 286 | 316 | 354 | 414 | 450 | 479 | 509 | | |
| 90" | 100 | 110 | 119 | 128 | 146 | 159 | 170 | 184 | 195 | 220 | 234 | 252 | 268 | 302 | 334 | 376 | 435 | 472 | 505 | 538 | | |
| 96" | 107 | 116 | 127 | 137 | 153 | 167 | 181 | 193 | 205 | 233 | 248 | 266 | 282 | 319 | 353 | 396 | 459 | 497 | 530 | 566 | | |
| 108" | 111 | 121 | 132 | 143 | 160 | 174 | 188 | 203 | 217 | 244 | 262 | 278 | 297 | 336 | 373 | 416 | 480 | 522 | 559 | 593 | | |
| 114" | 117 | 127 | 139 | 150 | 168 | 184 | 199 | 213 | 228 | 255 | 274 | 293 | 312 | 353 | 392 | 436 | 504 | 546 | 584 | 622 | | |
| 120" | 121 | 132 | 146 | 156 | 175 | 192 | 208 | 224 | 238 | 268 | 287 | 307 | 326 | 369 | 408 | 458 | 525 | 570 | 610 | 650 | | |
| 132" | 127 | 139 | 151 | 164 | 184 | 200 | 216 | 233 | 249 | 278 | 299 | 320 | 340 | 386 | 426 | 479 | 548 | 593 | 636 | 677 | | |
| 144" | 131 | 146 | 158 | 170 | 192 | 209 | 226 | 243 | 260 | 291 | 312 | 334 | 356 | 403 | 445 | 498 | 570 | 618 | 663 | 706 | | |

SURCHARGES:

MULTI-COLOR BLINDS:

First Added Color \$10
 Each Additional Color \$4

**MULTIPLE BLINDS
ON ONE HEADRAIL:**

Price each blind individually.
 Add together for total price.

UNDERSIZED BLINDS:

Blinds Less Than 12" Wide \$18
 Blinds Less Than 17" Long \$10

CUT-OUTS:

Side Cut-out 6" or Less *per side* \$4
 Side Cut-out 6-1/8" or More *per side* \$10
 Center Cut-out \$10

PREMIUM SLAT SURCHARGES:

Metallic *Add 15%* (*base price x 1.15*)
 Wood Tone *Add 75%* (*base price x 1.75*)

WITH FASHION TAPE:

Fashion Tape . *Add 15%* (*base price x 1.15*)

SPECIFICATIONS:

Minimum Width 9 in.
 Maximum Width of a Single Blind 142 in.
 Maximum Width of 2 or 3 Blinds
 on one headrail 190 in.
 Maximum Length 144 in.
 Maximum Square Feet Single Blind 90 sq. ft.
 Blind will Tilt Only 9 - 10 3/8 in.
 Blind must have Split Controls . 10 1/2 - 23 7/8 in.
 Blind can have Controls
 in any position 24 in. or more

MOTORIZATION SURCHARGE*

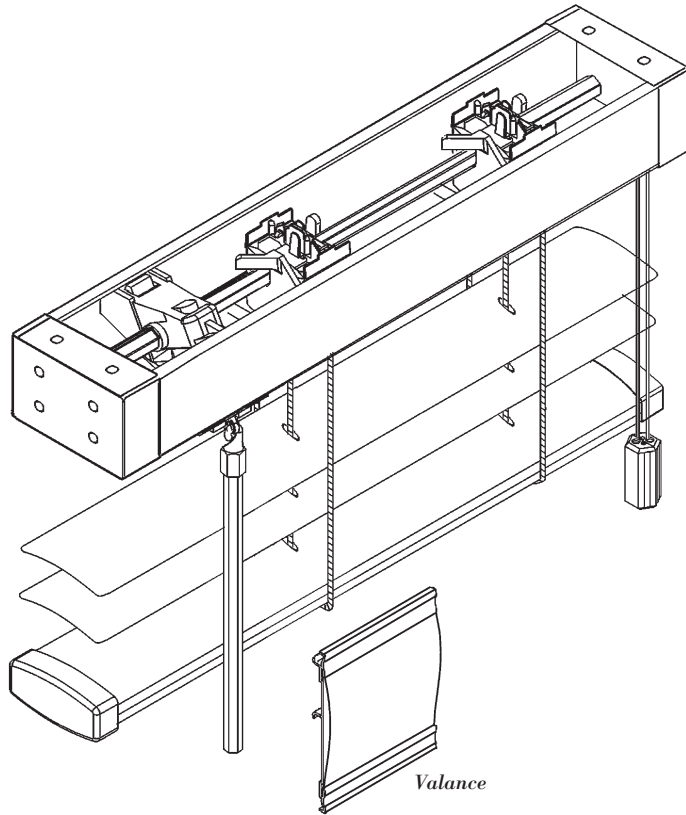
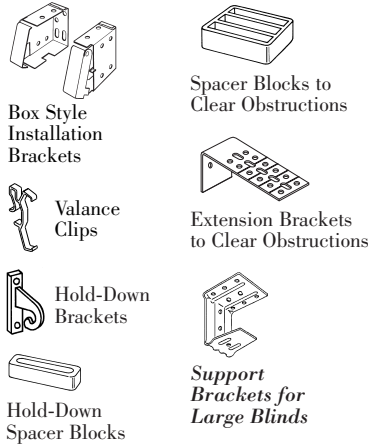
Standard Tilt Motor \$222 (maximum 15lbs)
 Heavy Duty Tilt Motor \$247 (maximum 30lbs)
 Remote Control \$59
 10" Satellite Eye \$32

*See page 26 for specifications and details.

For Aristocrat 2-inch aluminum blind color availability, see color charts on pages 23 and 24.

ARISTOCRAT 2-INCH BLINDS

INSTALLATION HARDWARE



BRACKET REQUIREMENTS

| BLIND WIDTH | SUPPORT BRACKETS REQUIRED |
|-----------------|---------------------------|
| UP TO 48" | 0 |
| 48 1/8" TO 72" | 1 |
| 72 1/8" TO 96" | 2 |
| 96 1/8" TO 120" | 3 |
| OVER 120" | 4 |

SLAT COUNT • ARISTOCRAT 2-INCH BLINDS

SPACING BETWEEN SLATS - 44mm • BRAIDED LADDER

| BLIND HEIGHT | NO. OF SLATS | BLIND HEIGHT | NO. OF SLATS | BLIND HEIGHT | NO. OF SLATS | BLIND HEIGHT | NO. OF SLATS |
|--------------|--------------|--------------|--------------|--------------|--------------|--------------|--------------|
| 13 5/8" | 6 | 46 7/8" | 25 | 80 1/8" | 44 | 113 3/8" | 63 |
| 15 3/8" | 7 | 48 5/8" | 26 | 81 7/8" | 45 | 115 1/8" | 64 |
| 17 1/8" | 8 | 50 3/8" | 27 | 83 5/8" | 46 | 116 7/8" | 65 |
| 18 7/8" | 9 | 52 1/8" | 28 | 85 3/8" | 47 | 118 5/8" | 66 |
| 20 5/8" | 10 | 53 7/8" | 29 | 87 1/8" | 48 | 120 3/8" | 67 |
| 22 3/8" | 11 | 55 5/8" | 30 | 88 7/8" | 49 | 122 1/8" | 68 |
| 24 1/8" | 12 | 58 3/8" | 31 | 90 5/8" | 50 | 123 7/8" | 69 |
| 25 7/8" | 13 | 59 1/8" | 32 | 92 3/8" | 51 | 125 5/8" | 70 |
| 27 5/8" | 14 | 60 7/8" | 33 | 94 1/8" | 52 | 127 3/8" | 71 |
| 29 3/8" | 15 | 62 5/8" | 34 | 95 7/8" | 53 | 129 1/8" | 72 |
| 31 1/8" | 16 | 64 3/8" | 35 | 97 5/8" | 54 | 130 7/8" | 73 |
| 32 7/8" | 17 | 66 1/8" | 36 | 99 3/8" | 55 | 132 5/8" | 74 |
| 34 5/8" | 18 | 67 7/8" | 37 | 101 1/8" | 56 | 134 3/8" | 75 |
| 36 3/8" | 19 | 69 5/8" | 38 | 102 7/8" | 57 | 135 1/8" | 76 |
| 38 1/8" | 20 | 71 3/8" | 39 | 104 5/8" | 58 | 136 7/8" | 77 |
| 39 7/8" | 21 | 73 1/8" | 40 | 106 3/8" | 59 | 138 5/8" | 78 |
| 41 5/8" | 22 | 74 7/8" | 41 | 108 1/8" | 60 | 140 3/8" | 79 |
| 43 3/8" | 23 | 76 5/8" | 42 | 109 7/8" | 61 | 142 1/8" | 80 |
| 45 1/8" | 24 | 78 3/8" | 43 | 111 5/8" | 62 | 143 7/8" | 81 |

STACKING

BRAIDED LADDER

| BLIND HEIGHT* OPEN | STACKING HEIGHT CLOSED |
|--------------------|------------------------|
| 12" | 4" |
| 25 3/8" | 4 5/16" |
| 37 5/8" | 4 7/16" |
| 51 5/8" | 4 11/16" |
| 63 7/8" | 4 15/16" |
| 76 1/8" | 5 1/8" |
| 90 1/4" | 5 3/8" |
| 99" | 5 9/16" |
| 120" | 6" |

* Blind Heights Include Headrail and Bottom Rail.

ARISTOCRAT 2-INCH BLINDS - FASHION TAPES

FASHION TAPE COLORS

AVAILABLE FOR ARISTOCRAT 2-INCH BLINDS ONLY

| 1.5-INCH CLOTH TAPE | | | |
|---------------------|------------------|-----|---------------|
| 100 | White/Natural | 526 | Rust |
| 113 | Duck | 572 | Forest |
| 150 | Bone White | 627 | Province Blue |
| 268 | Real Red | 685 | Midnight Blue |
| 293 | Bordeaux | 823 | Silver |
| 293 | Mulberry | 302 | Taupe |
| 446 | Butterscotch | 334 | Pecan |
| 430 | Wheat/Desert Tan | 378 | Cocoa |
| 503 | Celadon | 323 | Dark Beige |
| 523 | Chocolate | 322 | Light Beige |
| 524 | Black | 336 | Toffee |

| PLASTIC TAPE | |
|----------------------|----------|
| TWINITE TAPE | |
| 885 | White |
| 173 | Eggshell |
| SUNFLEX TAPE | |
| 885 | White |
| 173 | Eggshell |
| VALULINE TAPE | |
| 885 | White |
| 173 | Eggshell |

SLAT COUNT • ARISTOCRAT 2-INCH BLINDS

SPACING BETWEEN SLATS - 1.5" CLOTH TAPE

| BLIND HEIGHT | NO. OF SLATS | BLIND HEIGHT | NO. OF SLATS | BLIND HEIGHT | NO. OF SLATS | BLIND HEIGHT | NO. OF SLATS |
|--------------|--------------|--------------|--------------|--------------|--------------|--------------|--------------|
| 12 7/8" | 6 | 47" | 27 | 81 1/8" | 48 | 115 1/4" | 69 |
| 14 1/2" | 7 | 48 5/8" | 28 | 82 3/4" | 49 | 116 7/8" | 70 |
| 16 1/8" | 8 | 50 1/4" | 29 | 84 3/8" | 50 | 118 1/2" | 71 |
| 17 3/4" | 9 | 51 7/8" | 30 | 86" | 51 | 120 1/8" | 72 |
| 19 3/8" | 10 | 53 1/2" | 31 | 87 5/8" | 52 | 121 3/4" | 73 |
| 21" | 11 | 55 1/8" | 32 | 89 1/4" | 53 | 123 3/8" | 74 |
| 22 5/8" | 12 | 56 3/4" | 33 | 90 7/8" | 54 | 125" | 75 |
| 24 1/4" | 13 | 58 3/8" | 34 | 92 1/2" | 55 | 126 5/8" | 76 |
| 25 7/8" | 14 | 60" | 35 | 94 1/8" | 56 | 128 1/4" | 77 |
| 27 1/2" | 15 | 61 5/8" | 36 | 95 3/4" | 57 | 129 7/8" | 78 |
| 29 1/8" | 16 | 63 1/4" | 37 | 97 3/8" | 58 | 131 1/2" | 79 |
| 30 1/2" | 17 | 64 7/8" | 38 | 99" | 59 | 133 1/8" | 80 |
| 32 3/8" | 18 | 66 1/2" | 39 | 100 5/8" | 60 | 134 3/4" | 81 |
| 34" | 19 | 68 1/8" | 40 | 102 1/4" | 61 | 136 3/8" | 82 |
| 35 5/8" | 20 | 69 3/4" | 41 | 103 7/8" | 62 | 138" | 83 |
| 37 1/4" | 21 | 71 3/8" | 42 | 105 1/2" | 63 | 139 5/8" | 84 |
| 38 7/8" | 22 | 73" | 43 | 107 1/8" | 64 | 141 1/4" | 85 |
| 40 1/2" | 23 | 75 5/8" | 44 | 108 3/4" | 65 | 142 7/8" | 86 |
| 42 1/8" | 24 | 76 1/4" | 45 | 110 3/8" | 66 | 144 1/2" | 87 |
| 43 3/4" | 25 | 77 7/8" | 46 | 112" | 67 | | |
| 45 3/8" | 26 | 79 1/2" | 47 | 113 5/8" | 68 | | |

STACKING

CLOTH TAPE

| BLIND HEIGHT* OPEN | STACKING HEIGHT CLOSED |
|--------------------|------------------------|
| 12" | 4" |
| 25" | 4 1/2" |
| 38" | 5" |
| 51" | 5 3/8" |
| 64" | 5 7/8" |
| 77" | 6 1/4" |
| 90" | 6 3/4" |
| 103" | 7 1/8" |
| 116" | 7 5/8" |
| 129" | 8 1/32" |

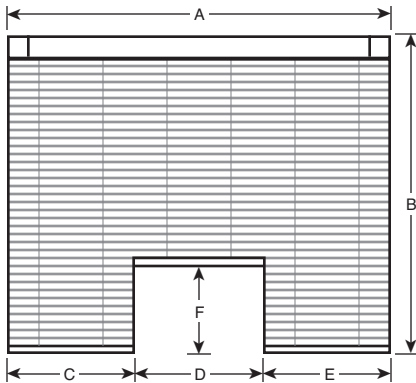
* Blind Heights Include Headrail and Bottom Rail.

CUT-OUTS

KENSINGTON CUT-OUT BLINDS have rectangular areas removed from the blind to avoid obstructions (such as an air-conditioner). Cut-outs may be either from one of the bottom corners or from the bottom middle of the blind. While a template is not required, when ordering a cut-out blind, a diagram of the blind with all dimensions noted must be included.

BOTTOM CENTER CUT-OUT

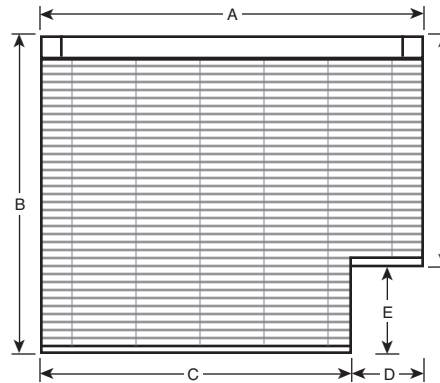
- Minimum Width of **A**: 18"
- Minimum Measurement of **C** and **E**: 7"
- Maximum Width of **A**: 142"
- Maximum Height of **B**: 144"
- Maximum Area of Single Blind: 90 Sq. Ft.
- Top of Cut-out raises to Headrail
- Blind may have 3 Bottomrails
- **PRICING:** See Surcharges for Standard Rectangular Price Charts on pages 4, 8, 10, 12, and 14.



- **DIAGRAM:** When ordering, include a diagram showing all dimensions:
A Overall Width of Blind
B Overall Height of Blind
C Bottom Left Side
D Width of Cut-Out
E Bottom Right Side
F Height of Cut-Out

BOTTOM SIDE CUT-OUT

- Minimum Width of **A**: 18"
- Maximum Measurement of **D**: 6"
- Maximum Width of **A**: 142"
- Maximum Height of **B**: 144"
- Maximum Area of Single Blind: 90 Sq. Ft.
- Top of Cut-out raises to Headrail
- Blind may have 2 Bottomrails
- **PRICING:** See Surcharges for Standard Rectangular Price Charts on pages 4, 8, 10, 12, and 14.



- **DIAGRAM:** When ordering, include a diagram showing all dimensions:
A Overall Width of Blind
B Overall Height of Blind
C Bottom Width of Blind
D Width of Cut-Out
E Height of Cut-Out
F Length of Shorter Side

ANDOVER SPECIALTY SHAPES

PRICE GROUP

F

**ANDOVER - ANGLED TOP/
ANGLED BOTTOM**

- .006 GAUGE 1-INCH SLATS
- 21.5mm LADDER SPACING

- SOLID COLORS

| Height To: | Width: | 23" | 26" | 29" | 32" | 36" | 40" | 44" | 48" | 52" | 57" | 62" | 67" | 72" | 82" | 92" | 100" |
|------------|--------|-----|-----|-----|-----|-----|-----|-----|-----|-----|-----|-----|-----|-----|-----|-----|------|
| | 42" | 113 | 117 | 121 | 126 | 133 | 137 | 143 | 147 | 151 | 164 | 168 | 176 | 181 | 196 | 207 | 227 |
| 48" | 117 | 121 | 128 | 131 | 140 | 144 | 148 | 163 | 160 | 173 | 178 | 186 | 193 | 207 | 221 | 243 | |
| 54" | 121 | 128 | 131 | 136 | 144 | 150 | 157 | 166 | 167 | 180 | 188 | 196 | 204 | 220 | 236 | 257 | |
| 60" | 127 | 131 | 136 | 141 | 148 | 157 | 163 | 168 | 177 | 190 | 197 | 206 | 214 | 233 | 250 | 273 | |
| 66" | 130 | 136 | 141 | 147 | 156 | 163 | 168 | 177 | 183 | 198 | 206 | 216 | 226 | 244 | 263 | 287 | |
| 72" | 134 | 140 | 146 | 151 | 160 | 168 | 177 | 183 | 191 | 207 | 217 | 226 | 236 | 257 | 275 | 301 | |
| 78" | 137 | 144 | 150 | 157 | 167 | 174 | 183 | 191 | 200 | 216 | 226 | 236 | 246 | 268 | 290 | 317 | |
| 84" | 143 | 148 | 156 | 163 | 173 | 180 | 190 | 197 | 207 | 226 | 236 | 246 | 257 | 281 | 303 | 331 | |
| 90" | 146 | 151 | 158 | 166 | 178 | 188 | 197 | 206 | 214 | 233 | 244 | 257 | 267 | 293 | 315 | 347 | |
| 96" | 150 | 157 | 164 | 171 | 183 | 194 | 204 | 213 | 221 | 243 | 254 | 265 | 278 | 305 | 330 | 361 | |
| 100" | 153 | 160 | 168 | 177 | 190 | 200 | 210 | 220 | 231 | 250 | 264 | 275 | 288 | 318 | 344 | 377 | |

SURCHARGES:

PREMIUM SLAT SURCHARGES:

- Metallic Add 25% (base price x 1.25)
- Soft-Tone Add 50% (base price x 1.50)
- Patterns Add 50% (base price x 1.50)
- Pearls Add 75% (base price x 1.75)
- Perforated Add 110% (base price x 2.10)

SPECIFICATIONS:

- Minimum Headrail Width (C) 7 in.
 - Maximum Overall Width (A) 100 in.
 - Minimum Overall Height (B) 12 in.
 - Maximum Overall Height (B) 100 in.
 - Maximum Square Feet 70 sq. ft.
- Template required. See page 22.

PRICE GROUP

G

**ANDOVER - HEXAGON/
OCTAGON**

- .006 GAUGE 1-INCH SLATS
- 21.5mm LADDER SPACING

- SOLID COLORS

| Height To: | Width: | 23" | 26" | 29" | 32" | 36" | 40" | 44" | 48" | 52" | 57" | 62" | 67" | 72" | 82" | 92" | 100" |
|------------|--------|-----|-----|-----|-----|-----|-----|-----|-----|-----|-----|-----|-----|-----|-----|-----|------|
| | 42" | 148 | 153 | 157 | 161 | 168 | 173 | 178 | 183 | 187 | 200 | 204 | 211 | 217 | 231 | 243 | 263 |
| 48" | 153 | 157 | 164 | 167 | 176 | 180 | 184 | 187 | 196 | 208 | 214 | 221 | 228 | 243 | 257 | 278 | |
| 54" | 157 | 164 | 167 | 171 | 180 | 186 | 193 | 198 | 203 | 216 | 224 | 231 | 240 | 256 | 271 | 293 | |
| 60" | 163 | 167 | 171 | 177 | 184 | 193 | 198 | 204 | 213 | 226 | 233 | 241 | 250 | 268 | 285 | 308 | |
| 66" | 166 | 171 | 177 | 183 | 191 | 198 | 204 | 213 | 218 | 234 | 241 | 251 | 261 | 280 | 298 | 323 | |
| 72" | 170 | 176 | 181 | 187 | 196 | 204 | 213 | 218 | 227 | 243 | 253 | 261 | 271 | 293 | 311 | 337 | |
| 78" | 173 | 180 | 186 | 193 | 203 | 210 | 218 | 227 | 236 | 251 | 261 | 271 | 281 | 304 | 325 | 353 | |
| 84" | 178 | 184 | 191 | 198 | 208 | 216 | 226 | 233 | 243 | 261 | 271 | 281 | 293 | 317 | 338 | 367 | |
| 90" | 181 | 187 | 194 | 201 | 214 | 224 | 233 | 241 | 250 | 268 | 280 | 293 | 303 | 328 | 351 | 383 | |
| 96" | 186 | 193 | 200 | 207 | 218 | 230 | 240 | 248 | 257 | 278 | 290 | 301 | 314 | 341 | 365 | 397 | |
| 100" | 188 | 196 | 204 | 213 | 226 | 236 | 246 | 256 | 267 | 285 | 300 | 311 | 324 | 354 | 380 | 413 | |

SURCHARGES:

PREMIUM SLAT SURCHARGES:

- Metallic Add 15% (base price x 1.15)
- Soft-Tone Add 30% (base price x 1.30)
- Patterns Add 30% (base price x 1.30)
- Pearls Add 50% (base price x 1.50)
- Perforated Add 100% (base price x 2.00)

SPECIFICATIONS:

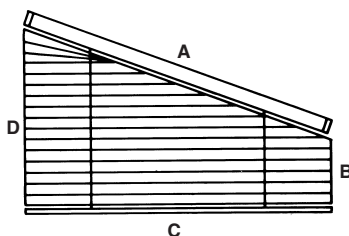
- Minimum Headrail Width (C) 7 in.
 - Maximum Overall Width (A) 100 in.
 - Minimum Overall Height (B) 12 in.
 - Maximum Overall Height (B) 100 in.
 - Maximum Square Feet 70 sq. ft.
- Template required. See page 22.

ANDOVER SPECIALTY SHAPES

ANDOVER ALUMINUM HORIZONTAL BLINDS are available in the following special shapes. All have: • Standard Rout Holes • .006 Gauge Slats ONLY • 21.5mm ladder spacing. Note that each has certain operating limitations.

ANGLED TOP

Angled Top Specialty Shapes are available for windows with a maximum height and width of 100". The minimum width is 19" and the minimum height is 12". The Angled Top Blind will tilt and lift to the lowest point of the head-rail (A). The slats will "fan" at the highest point to assure privacy. The Angled Top Blind can be mounted inside or outside the casing, and comes with wand tilt left and cord tilt lift on the right side of the headrail. Provide accurate dimensions for B, C & D. Maximum Angle: C must be greater than D minus B.

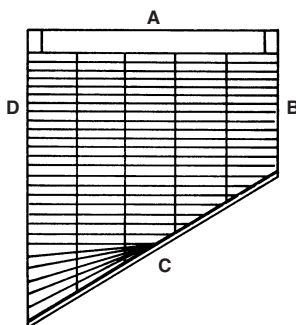


TEMPLATE REQUIRED.

ANGLED BOTTOM

The maximum size of Angled Bottom Blinds is 100" for A or D. The minimum for D is 12" and the minimum for A is 19". The Angled Bottom Blind will tilt, but will only lift to the high point of C. The slats will fan at lowest corner for privacy. Standard controls, wand tilt left, cord tilt right. The Angled Bottom Blind can be mounted either inside or outside the casing. Provide accurate dimensions for A, B & D.

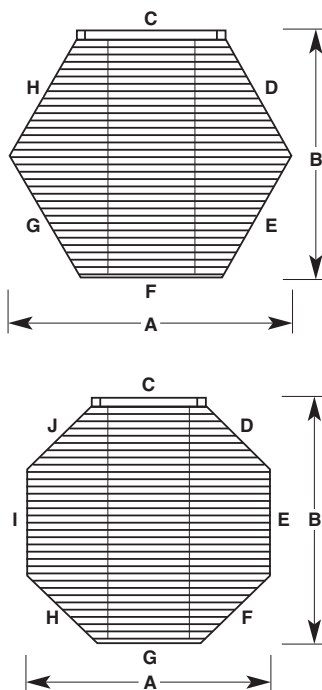
TEMPLATE REQUIRED.



HEXAGON & OCTAGON

For windows with maximum width of 60". Hexagon and Octagon Blinds can be mounted either inside or outside the casing. For inside mounts, the slats can only be raised to the widest part of the blind. For outside mounts, the slats can be raised to the headrail. Standard controls, wand tilt left, cord tilt right. Provide accurate dimensions for overall width (A) and height (B), as well as for all sides (C-H for Hexagon, C-J for Octagon).

TEMPLATE REQUIRED.

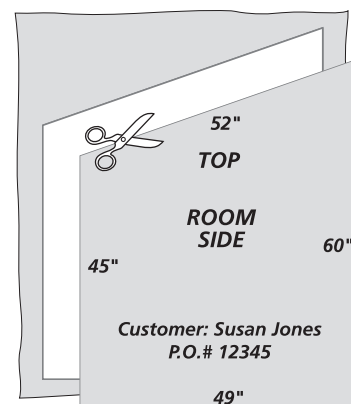


FIVE STEPS TO AN ACCURATE TEMPLATE

1. Tape butcher paper or heavy wrapping paper over the window opening, allowing plenty of overlap. Do not use paper that has ever been folded; a template can have no folds or creases.
2. Draw an exact outline of the window opening. Do this by carefully tracing over the inside edge of the window frame.
3. Remove the paper from the window opening. If the blind is an outside mount, add the desired amount of overlap to the window outline and draw a second outline around it to match the shape of the finished blind.
4. Mark the blind dimensions on the template. Check that the template dimensions match your measurements of the actual window opening.
5. Identify the template and its orientation. Write the customer's name and PO# on the template, and mark the ROOM SIDE and TOP. Roll up the template and place it in a mailing tube.

Do not fold the template.

IMPORTANT: Template must be cut out in the exact shape of the window opening and tested in window for correct fit.



SLAT COLOR AVAILABILITY

ARRANGED BY SLAT COLOR NUMBER

| COLOR NUMBER | COLOR NAME | ARISTOCRAT 1-INCH | ABBEY COURT 1-INCH | ABBEY COURT 1/2-INCH | ANDOVER 1-INCH | ARISTOCRAT 2-INCH |
|--------------|------------------|-------------------|--------------------|----------------------|----------------|-------------------|
| 0001 | White Gloss | • | • | • | • | • |
| 0009 | Slate Blue | • | • | | | |
| 0010 | Shadow Grey | • | • | • | | • |
| 0011 | Sandstone | • | • | | • | |
| 0012 | Smoke | • | • | | • | |
| 0017 | Aluminum Texture | • | • | • | | |
| 0023 | Linen | • | • | • | • | • |
| 0035 | Sierra | • | • | | | |
| 0049 | Matte Black | • | • | • | • | • |
| 0056 | Nocturne Blue | • | • | • | | |
| 0058 | Brushed Aluminum | • | • | • | • | • |
| 0060 | Char Brown | • | • | • | • | • |
| 0061 | Fawn | • | • | | • | |
| 0065 | Snow | • | • | • | • | • |
| 0075 | Clay | • | • | • | • | |
| 0103 | Silver Grey | • | • | • | | |
| 0104 | Mercury | • | • | | | • |
| 0110 | Cloud | • | • | | • | |
| 0245 | Hunter Green | • | • | • | • | • |
| 0255 | Burgundy | • | • | • | • | |
| 0258 | Midnight Blue | • | • | • | • | |
| 0260 | Porcelain | • | • | | • | |
| 0266 | Oyster | • | • | • | • | • |
| 0285 | Alabaster | • | • | • | • | • |
| 0289 | Gloss Black | • | • | | | |
| 0547 | Ice | • | • | | | |
| 0570 | China Red | • | • | | | |
| 0688 | Orchard | • | • | | | |

| COLOR NUMBER | COLOR NAME | ARISTOCRAT 1-INCH | ABBEY COURT 1-INCH | ABBEY COURT 1/2-INCH | ANDOVER 1-INCH | ARISTOCRAT 2-INCH |
|--------------|------------------------|-------------------|--------------------|----------------------|----------------|-------------------|
| 0696 | Dove Grey | • | • | | | |
| 0700 | Copper | • | • | | | |
| 0713 | Aluminum | • | • | • | | |
| 0714 | Brushed Gold | • | • | • | | |
| 0716 | Bronze | • | • | | | |
| 0717 | Polished Slate | • | • | | | |
| 0722 | Brass | • | • | | | |
| 0750 | Pearlized White | • | • | | | |
| 0751 | Pearlized Charcoal | • | • | | | |
| 0757 | Pearlized Alabaster | • | • | | | |
| 0811 | Jade | • | • | | • | |
| 0848 | Almond | • | • | | • | |
| 0896 | Off White | • | • | | • | • |
| 1004 | Eggshell | • | • | • | | |
| 1005 | Cobblestone | • | • | | | |
| 1007 | Cameo | • | • | | | |
| 1011 | Chocolate | • | • | • | | |
| 1012 | Parchment | • | • | • | | |
| 1028 | Beige | • | • | | | |
| 5027 | Gulf Blue | • | • | | | |
| 8000 | Powder White | • | | | | |
| 8101 | Powder Fawn | • | | | | |
| 8102 | Powder Alabaster | • | | | | |
| 8104 | Powder Off-White | • | | | | |
| P0049 | Perforated Matte Black | • | | | | |
| P0058 | Perf. Brushed Alum. | • | | | | |
| P0065 | Perforated Snow | • | | | | |
| P0285 | Perforated Alabaster | • | | | | |



SLAT COLOR AVAILABILITY

ARRANGED ALPHABETICALLY BY FINISH

| COLOR NAME | COLOR NUMBER | ARISTOCRAT 1-INCH | ABBEY COURT 1-INCH | ABBEY COURT 1/2-INCH | ANDOVER 1-INCH | ARISTOCRAT 2-INCH |
|----------------------|--------------|-------------------|--------------------|----------------------|----------------|-------------------|
| SOLID COLORS: | | | | | | |
| Alabaster | 0285 | • | • | • | • | • |
| Almond | 0848 | • | • | | | |
| Beige | 1028 | • | • | | • | |
| Burgundy | 0255 | • | • | • | | |
| Cameo | 1007 | • | • | • | • | • |
| Char Brown | 0060 | • | • | • | • | • |
| China Red | 0570 | • | • | | • | |
| Chocolate | 1011 | • | • | • | • | • |
| Clay | 0075 | • | • | • | • | |
| Cloud | 0110 | • | • | • | | |
| Cobblestone | 1005 | • | • | | | • |
| Copper | 0700 | • | • | | • | |
| Dove Grey | 0696 | • | • | • | • | • |
| Eggshell | 1004 | • | • | • | • | |
| Fawn | 0061 | • | • | • | • | |
| Gloss Black | 0502 | • | • | | • | |
| Gulf Blue | 5027 | • | • | • | • | • |
| Hunter Green | 0245 | • | • | • | • | • |
| Ice | 0547 | • | • | | | |
| Jade | 0811 | • | • | | | |
| Linen | 0023 | • | • | | | |
| Matte Black | 0049 | • | • | | | |
| Mercury | 0104 | • | • | | | |
| Midnight Blue | 0258 | • | • | | | |
| Nocturne Blue | 0056 | • | • | • | | |
| Off White | 0896 | • | • | • | | |
| Orchard | 0688 | • | • | | | |
| Oyster | 0266 | • | • | | | |

| COLOR NAME | COLOR NUMBER | ARISTOCRAT 1-INCH | ABBEY COURT 1-INCH | ABBEY COURT 1/2-INCH | ANDOVER 1-INCH | ARISTOCRAT 2-INCH |
|--------------------|--------------|-------------------|--------------------|----------------------|----------------|-------------------|
| Parchment | 1012 | • | • | | | |
| Porcelain | 0260 | • | • | | | |
| Powder White | 8000 | • | | | | |
| Sandstone | 0011 | • | • | | | |
| Shadow Grey | 0010 | • | • | | | |
| Sierra | 0035 | • | • | | | |
| Silver Grey | 0103 | • | • | | | |
| Slate Blue | 0009 | • | • | | | |
| Smoke | 0012 | • | • | | | |
| Snow | 0065 | • | • | | | |
| White Gloss | 0001 | • | • | | | |
| METALLICS: | | | | | | |
| Aluminum | 0713 | • | • | • | | • |
| Aluminum Texture | 0017 | • | • | | • | |
| Brass | 0722 | • | • | • | | |
| Bronze | 0716 | • | • | • | • | • |
| Brushed Aluminum | 0058 | • | • | | | |
| Brushed Gold | 0714 | • | • | • | • | • |
| Polished Slate | 0717 | • | • | | | |
| SOFT TONES: | | | | | | |
| Powder Alabaster | 8102 | • | | • | | |
| Powder Fawn | 8101 | • | | • | | |
| Powder Off-White | 8104 | • | | | | |
| PERFORATED: | | | | | | |
| Perf. Brushed Alum | P0058 | • | | | • | |
| Perf. Alabaster | P0285 | • | | | • | |
| Perf. Matte Black | P0049 | • | | | • | • |
| Perforated Snow | P0065 | • | | • | | |

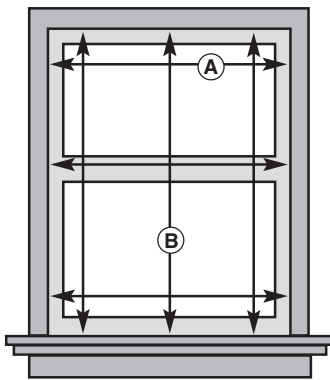


MEASURING GUIDELINES

Accurate measurements are essential, for both correct pricing and proper fit. Use only a hard-edged ruler or steel tape, never a cloth tape. For inside mounts, width measurements should be rounded down to the nearest 1/8" to prevent blind from binding against the window casing.

INSIDE MOUNTING (IB)

- For **WIDTH (A)**, measure across the window casing from one inside edge to the other in three places, top, middle, and bottom. Record the **smallest** width rounded **down** to the nearest 1/8".
- For **LENGTH (B)**, measure the inside area from the top inside edge down to the top of the sill in three places, left, middle and right. Record the **longest** length rounded **up** to the nearest 1/8".
- The factory will make all the necessary deductions for inside mount.

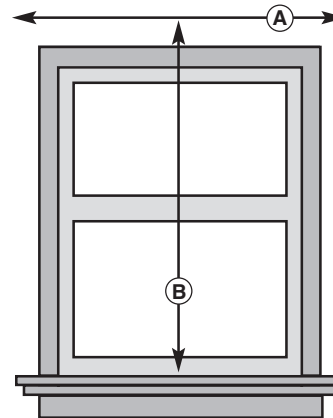


INSIDE BRACKET MOUNTING REQUIREMENTS:

- Minimum Depth of Mounting Surface Required: 1/2"
- Minimum Depth Required for Flush Mount: 2 1/8"

OUTSIDE MOUNTING (OB)

- For **WIDTH (A)**, measure from one edge of the casing to the other, then add a minimum of 4" (2" each side), for blind overlap. Record the measurement rounded **up** to the nearest 1/8".
- For **LENGTH (B)**, measure from the top of the window sill up to the desired top of the blind. Again, record the measurements rounded **up** to the nearest 1/8".
- Outside mounted blinds are fabricated to order dimensions.



OUTSIDE BRACKET MOUNTING REQUIREMENTS:

- Minimum Mounting Surface Required: 3/4" x 1"
- Minimum Mounting Surface Required when using a Spacer Block or Extension Bracket: 1 1/8" x 15/16"
- Rail to Mount Surface Clearance: 1 1/16"
- Slat End to Mount Surface Clearance: 5/16"

ORDERING GUIDELINES

When ordering Kensington aluminum horizontal blinds, make sure to provide all the necessary information on your order including:

- Desired Blind Style Name plus: Privacy, Standard Rout Holes, Slat Size, etc.
- Correct Size: Width x Length
- Color Name and Color Number
- Surcharges for:
 - Multi-color blinds
 - Cut-outs
 - Multiple Blinds on one Headrail
 - Premium Slats
 - Deluxe Groover Type Valance
 - Blinds less than 12" wide or 17" long
 - Motorization (2" Macro only)

- Base Price - Determined by Price Chart
- Type of Mounting the blind requires: Inside (IB) Outside (OB)
- Control Position (Left or Right)
- Extension Brackets or Spacer Blocks for desired window/wall clearance
- Optional Cam Brackets if desired
- Specifications for:
 - Multi-Colored blinds (*include sketch*)
 - Cut-Outs (*include diagram*)
 - Multiple Blinds on One Headrail (*width and position of each blind*)
- Template for Specialty Shaped Blinds

SPECIFICATIONS ~ MOTORIZATION

FEATURES AND BENEFITS

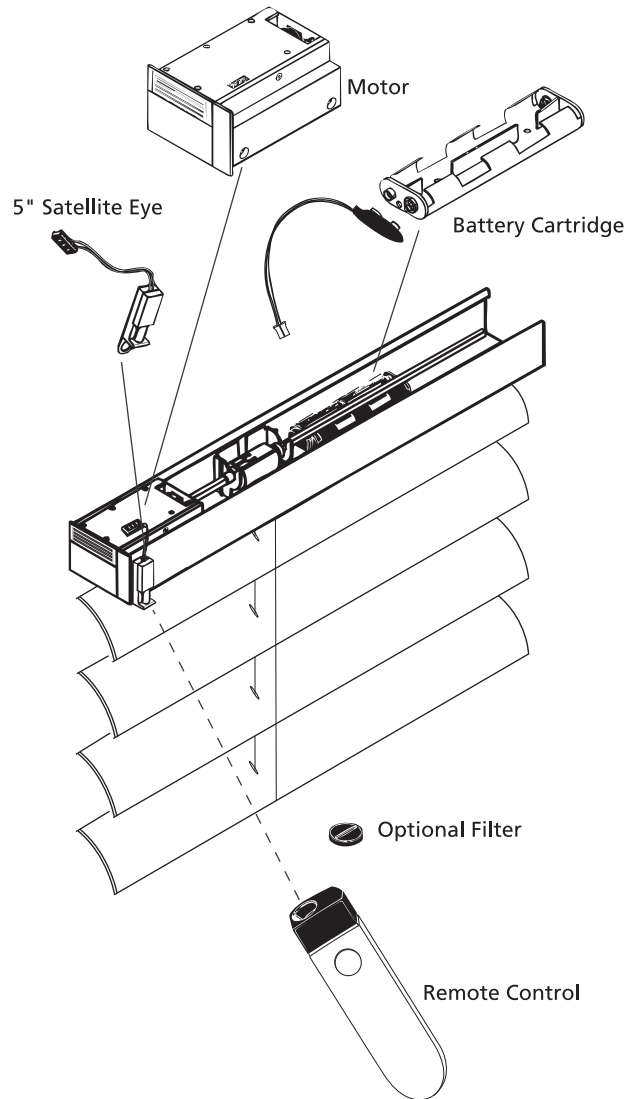
- Top of the line battery powered standard motor, capable of tilting blinds up to 15 pounds.
- Top of the line battery powered heavy duty motor, capable of tilting blinds up to 30 pounds.
- Internal brake holds blind in place.
- Provides tight slat closure to eliminate light gap, with no roll back.
- Limit switches allow blind to stop when completely closed.
- Limit switches prevent the blind and motor from potential damage.
- 5" Satellite Eye standard, optional 10" Satellite Eye extends receiving eye for cornice applications.
- Motor is fully enclosed in the headrail.
- No unsightly battery packs or controls.
- Minimum of 4 1/2" end routes necessary.
- No tilt wand or cord punch necessary.
- Installs with standard installation hardware.

BATTERY CARTRIDGE (Batteries Included)

- (4) AA lithium or alkaline batteries.
- Lithium battery life expectancy 3 - 5 years.
- Cartridge enclosed in the headrail with no unsightly cables.

REMOTE CONTROL (Batteries Included)

- One button remote that operates up to 50' away.
- Signal not affected by florescent or halogen lighting.
- Operational distance may be affected by bright sunlight.
- Operates an unlimited number of blinds without changing channels.
- Remote filter available for bay window applications or side by side blinds.
- Operates with (3) AA alkaline batteries (lithium not recommended for remote).

**WARRANTY**

- 5 year Warranty.

Note: Motorization available only on 2" products. Motorization is not available on 1/2" or 1" Aluminum Mini Blinds.

BLIND SIZE CHART

| Product Type | Max. Sq. Ft. Standard Motor | Max. Sq. Ft. Heavy Duty Motor |
|--------------|-----------------------------|-------------------------------|
| 2" Aluminum | 96' | N/A |

Minimum Blind width: 18 3/4"

Note: To calculate square footage of a blind, multiply blind height (in inches) times the blind width (in inches) then divide by 144.

KENSINGTON™

WINDOW EXPRESSIONS™

ALUMINUM BLIND ORDER FORM

CHARGE TO: CUST OMER: _____

SHIP TO: _____

DATE: _____ NAME: _____

P.O. NO.: _____ ADDRESS: _____

SIDEMARK: _____ CITY: _____

STATE: _____ ZIP: _____

STATE: _____ ZIP: _____

PHONE: _____

KENSINGT ON ORDER#

SPECIAL INSTRUCTIONS

CUST OMER P. O. #

PAGE OF

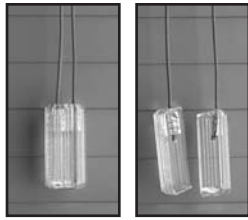
| LINE | QTY | IB/OB | WIDTH | LENGTH | COLOR | NAME | NUMBER | CORD TILT (ONL Y) | CONTROL POSITION | WAND | LIFT CORD | SIZE | STYLE | COLOR | CLOTH APPE(2" ONL Y) | HOLD/DOWNS | ADDITIONAL OPTIONS | PLEASE CHECK |
|------|-----|-------|-------|--------|-------|------|--------|-------------------|------------------|------|-----------|------|-------|-------|----------------------|------------|--------------------|---|
| 1 | | | | | | | | | | | | | | | | | | <input type="checkbox"/> ARIST OCRA T MINI |
| 2 | | | | | | | | | | | | | | | | | | <input type="checkbox"/> ARIST OCRA T PRIV ACY |
| 3 | | | | | | | | | | | | | | | | | | <input type="checkbox"/> ABBY COUR T MINI |
| 4 | | | | | | | | | | | | | | | | | | <input type="checkbox"/> ABBY COUR T MICH |
| 5 | | | | | | | | | | | | | | | | | | <input type="checkbox"/> ANDOVER MINI |
| 6 | | | | | | | | | | | | | | | | | | <input type="checkbox"/> ARIST OCRA T 2" BLINDS |
| 7 | | | | | | | | | | | | | | | | | | |
| 8 | | | | | | | | | | | | | | | | | | |
| 9 | | | | | | | | | | | | | | | | | | |
| 10 | | | | | | | | | | | | | | | | | | |

ORDERED BY

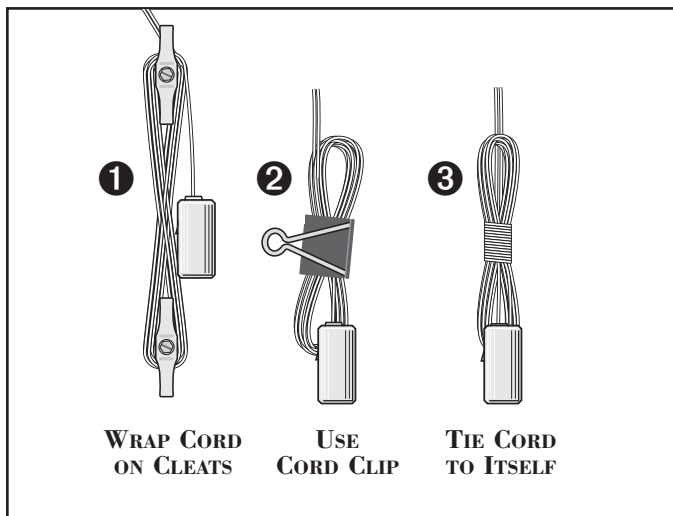
FOR ORDERS PLACED BY PHONE DEALERS WILL ASSUME ALL RESPONSIBILITY
 CUSTOM ORDERS CANNOT BE CANCELED ONCE THEY ARE IN PRODUCTION

CHILD SAFETY

To help protect children and pets from becoming tangled in lift cords, your blind comes with a Break-Thru® Safety Tassel, which breaks in two when pressure is applied. Simply snap the two halves back together.



An important consideration in any blind installation is child safety. To prevent serious injuries or strangulation, all cords must be kept out of the reach of children. Cord cleats or another method of keeping the lift cords from hanging within reach of a child should be utilized.



CARE AND CLEANING

ROUTINE CLEANING

Kensington Aluminum Horizontal Blinds are easy to care for. Occasional dusting with a feather duster or low suction vacuuming with a brush attachment is all that is needed to keep the blind looking new. They may also be gently cleaned with a soft cloth using an over-the-counter blind cleaner.

MORE THOROUGH CLEANING

Kensington Aluminum Horizontal Blinds may be taken down and dipped in the bathtub using a mild detergent.

PROFESSIONAL CLEANING

Kensington Aluminum Horizontal Blinds may be ultrasonically cleaned for superior results.

LIMITED LIFETIME WARRANTY

KENSINGTON ALUMINUM HORIZONTAL BLINDS

carry a limited lifetime warranty that covers the blinds for as long as the original retail purchaser owns them, provided that the blinds were properly installed. It's your customer's assurance of satisfaction and quality.



NOTES:

A series of horizontal lines provided for the user to write notes.