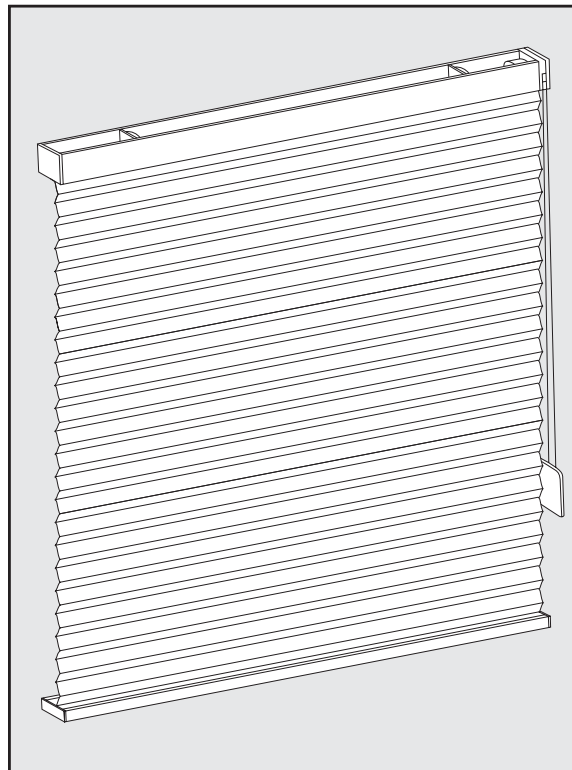


# KENSINGTON WINDOW EXPRESSIONS™

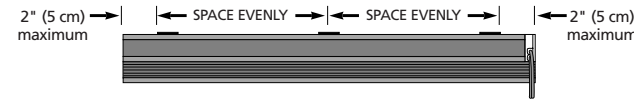
## PLEATED CONTINUOUS CORD SYSTEM

## INSTALLATION INSTRUCTIONS

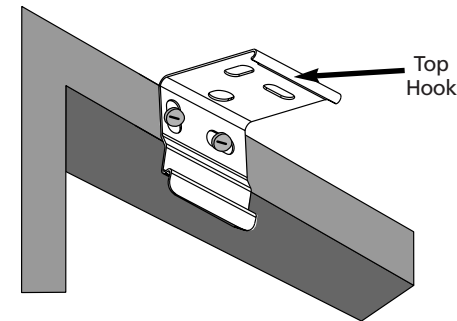


### MOUNT THE BRACKETS

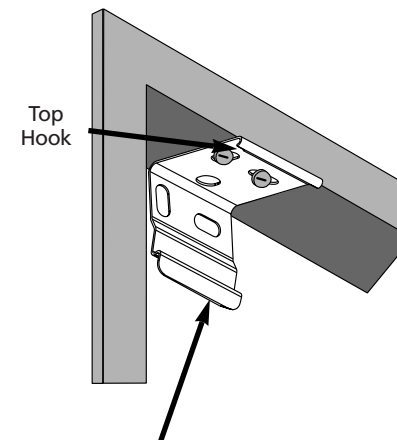
Mount the brackets to the wall or window frame, with the outside brackets no further than 2 inches (5 cm) from the ends of the headrail. On wide shades, space the additional bracket(s) at equal intervals.



For **wall or outside mounts**, use the rear bracket holes.



For **inside or ceiling mounts**, use the top bracket holes.



**Note:** Release tab is always the bottom of the bracket

### SIDE MOUNT BRACKET INSTALLATION

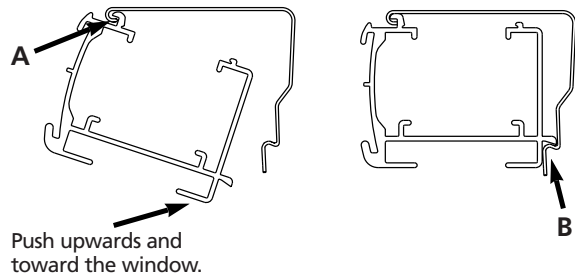
1. Line up the bracket top with the desired height of the top of the headrail.
2. Mark holes for screws. Brackets must be level. Remove brackets and drill holes.
3. Insert bugle head screws for keyhole slots only. Approximately 1/8" of the screw should be left protruding.
4. Pull the cord lock assembly partially out of the headrail and slide the bracket on as shown. Push the cord lock assembly and bracket back all the way into the rail.
5. Remove the endcap from the opposite end of the headrail. Slide the remaining side mount bracket on the headrail. Replace the end cap before sliding the bracket all the way into the headrail.
6. Hook one bracket onto the screw in the window frame, using the keyhole slot. Bring the other end bracket over the screw at the other side of the frame. Slide down, flexing bracket inward until the screw engages in the keyhole slot.
7. Make sure both brackets are slipped down all the way in the keyhole slot so that the screw is in the top portion of the keyhole slot. Install a screw in the bottom hole of each bracket. Tighten all screws.

## MOUNT THE HEADRAIL

First lower the shade to about an inch (2/3 cm) below the headrail. This will help keep the fabric from getting caught between the brackets and the headrail.

Position the headrail with the front lip (A) resting on the top hooks of all brackets. Make sure no fabric is pinched between the brackets and headrail.

Push the bottom of the headrail firmly upwards and toward the window until the groove at the bottom of the headrail snaps into place, (B) as shown.



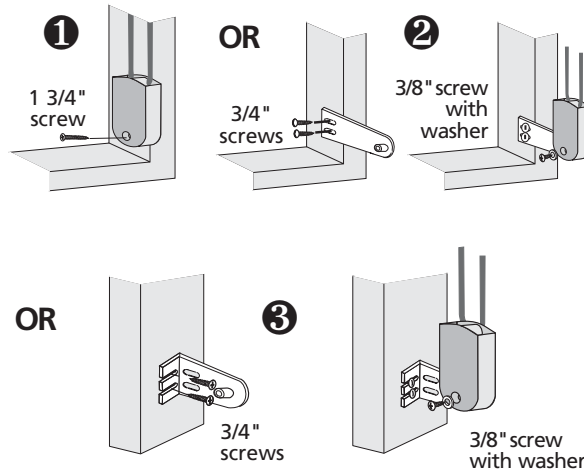
## INSTALL THE TENSION DEVICE

The Tension Device reduces the hazards of strangulation and entanglement of young children by limiting access to the control cord. Anchor the Tension Device that is attached to the blind's control cord, to the window frame or wall, so that young children cannot pull the cord around their necks.

A. Lower the blind

B. Hold the Tension Device upright and position the Tension Device using one of the three methods shown.

C. Position the Tension Device so that the Tension Device and the control cord do not interfere with raising or lowering the blind. The Tension Device should be installed without stretching or pulling down on the control cord. Stretching the cord will cause excessive wear. Do not twist or cross the control cord.



## OPERATING THE SHADE

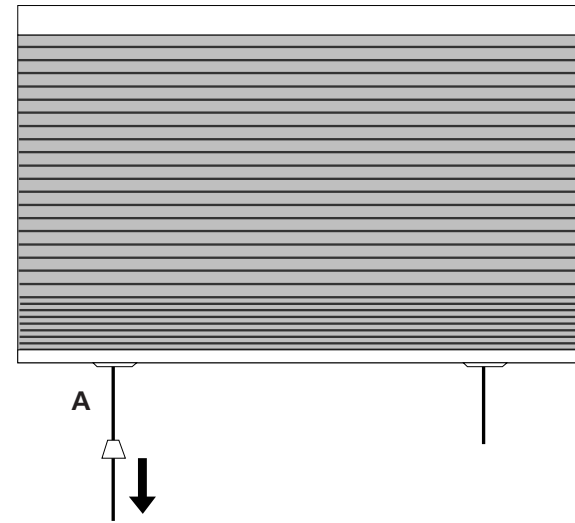
Operate the shade by pulling down on one side of the cord. One side of the cord raises the shade, the other side lowers the shade. Do not lift the bottom rail with your hands. Also, be careful not to place objects on the window sill that will interfere with operating the shade or cause it to hang unevenly.

If the shade does become crooked, simply lower it as far as it will go and then raise it again. This will ensure that all the lift lines inside the shade are pulling up evenly.

## ADJUST LENGTH OR EQUALIZATION

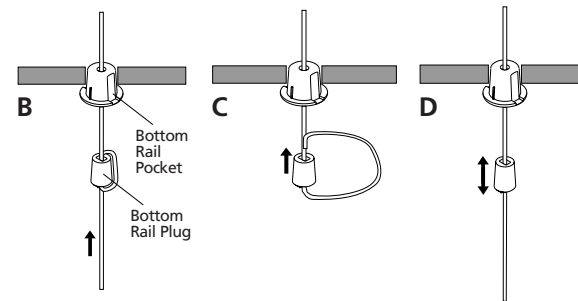
If the shade length and equalization is satisfactory, simply trim the excess cord hanging below the bottom rail.

If adjustments are necessary, pull the excess cord at the bottom of the shade down until the bottom rail plug is released (Figure A).



Push the cord up through the bottom rail plug (Figures B & C).

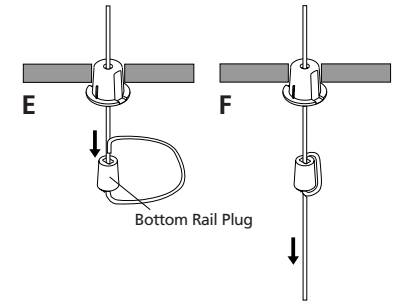
Adjust the position of the plug as necessary (Figure D)



Feed the cord back through the bottom rail plug (Figures E & F).

Push the bottom rail plug back into the bottom rail pocket.

When bottom rail adjustments have been made, trim the excess cord hanging below the bottom rail.



## REMOVING A SHADE

To remove a shade, insert a screwdriver between the headrail and bottom back of the bracket (tab which extends out slightly from each bracket).

Gently pry the screwdriver to release the bracket from the headrail.

Take care not to damage the painted finish of the headrail.

As you release the brackets, support the headrail to keep it from falling.

