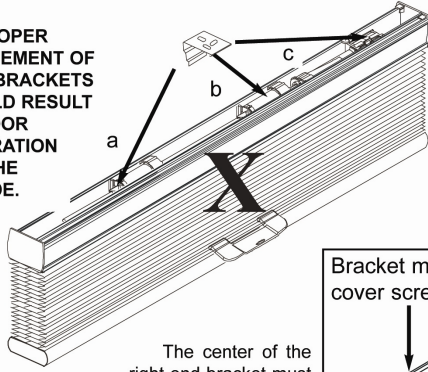
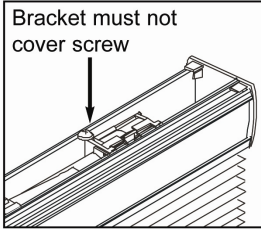


**Do Not place installation brackets over clear plastic spool covers (a & b) or over the transmission screw (c).**

**IMPROPER PLACEMENT OF THE BRACKETS COULD RESULT IN POOR OPERATION OF THE SHADE.**



The center of the right end bracket must be placed 1" to 2" from the end, so that it does not interfere with the transmission screw.



# ATTENTION

**DO NOT PLACE INSTALLATION BRACKETS OVER THE CLEAR PLASTIC SPOOL COVERS OR OVER THE TRANSMISSION SCREW.**

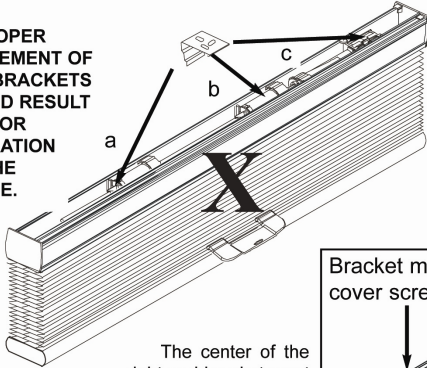
**IMPROPER PLACEMENT OF THE BRACKETS WILL RESULT IN POOR OPERATION OF THE SHADE.**

Thank you!

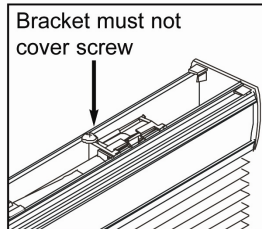
Honeycomb DO NOT.pub

**Do Not place installation brackets over clear plastic spool covers (a & b) or over the transmission screw (c).**

**IMPROPER PLACEMENT OF THE BRACKETS COULD RESULT IN POOR OPERATION OF THE SHADE.**



The center of the right end bracket must be placed 1" to 2" from the end, so that it does not interfere with the transmission screw.



# ATTENTION

**DO NOT PLACE INSTALLATION BRACKETS OVER THE CLEAR PLASTIC SPOOL COVERS OR OVER THE TRANSMISSION SCREW.**

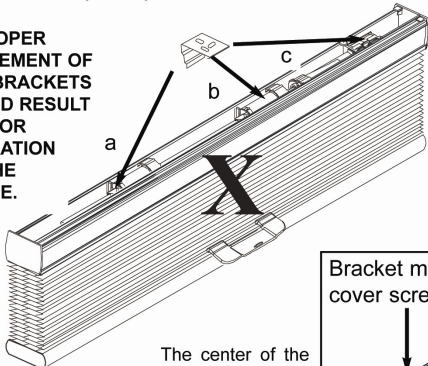
**IMPROPER PLACEMENT OF THE BRACKETS WILL RESULT IN POOR OPERATION OF THE SHADE.**

Thank you!

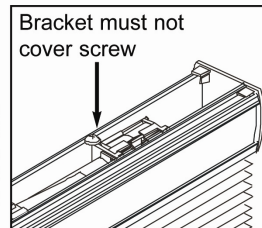
Honeycomb DO NOT.pub

**Do Not place installation brackets over clear plastic spool covers (a & b) or over the transmission screw (c).**

**IMPROPER PLACEMENT OF THE BRACKETS COULD RESULT IN POOR OPERATION OF THE SHADE.**



The center of the right end bracket must be placed 1" to 2" from the end, so that it does not interfere with the transmission screw.



# ATTENTION

**DO NOT PLACE INSTALLATION BRACKETS OVER THE CLEAR PLASTIC SPOOL COVERS OR OVER THE TRANSMISSION SCREW.**

**IMPROPER PLACEMENT OF THE BRACKETS WILL RESULT IN POOR OPERATION OF THE SHADE.**

Thank you!

Honeycomb DO NOT.pub