

## CARE AND MAINTENANCE

### HEADRAIL

The headrail mechanism is self-lubricating. Occasional spraying with silicone based fluid such as a proprietary brand of furniture polish will maintain easy operation. Vertical blinds are easy to clean and maintain.

### FABRIC

Vertical blinds require only periodic dusting or vacuuming to keep them looking new. Do not wash or dry clean fabric vertical blinds. Ammonia cleaners should not be used on or near fabrics.

### VINYL AND ALUMINUM

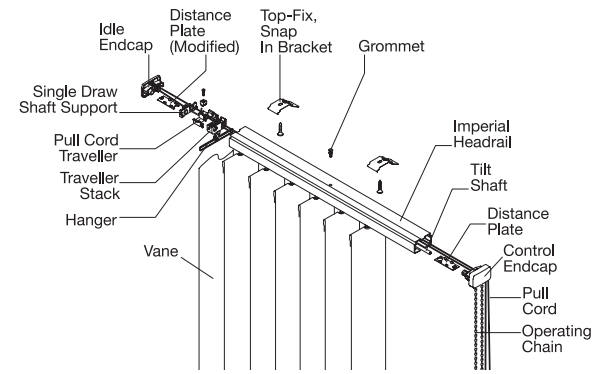
Vertical blinds can be wiped clean with a damp cloth or sponge. Leaving a very thin film of detergent on each vertical vane will reduce buildup of static electricity.

# VERTICAL BLINDS

# INSTALLATION INSTRUCTIONS

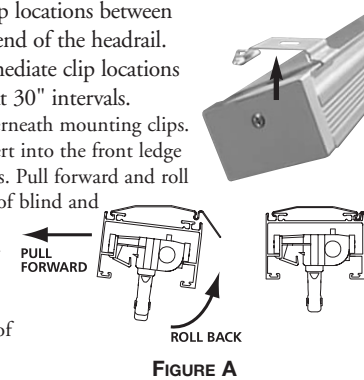


## THE IMPERIAL HEADRAIL SYSTEM



### INSIDE MOUNT

1. Mark mounting clip locations between 2" to 3" from each end of the headrail. Evenly space intermediate clip locations between end clips at 30" intervals.
2. Center headrail underneath mounting clips.
3. Tilt headrail and insert into the front ledge of the mounting clips. Pull forward and roll headrail toward rear of blind and snap into place.
4. To remove, locate rear tab on mounting clip. (See Figure A)
5. Push up on rear tab of mounting clip to release headrail.



### OUTSIDE MOUNT

1. Mount "L" brackets 2" to 4" from each end of headrail. Evenly space intermediate brackets between end brackets at 30" intervals. (See Figure B)
2. Adjust mounting brackets to allow 1/2" clearance between louver and wall. (i.e. 2 1/4" for 3 1/2" louvers)
3. Center headrail underneath mounting clips.
4. Tilt headrail and insert into the front ledge of the mounting clips. Pull forward and roll headrail toward rear of blind and snap into place. (See Figure C)

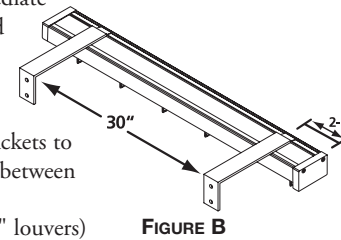


FIGURE C

## ATTACHING LOUVERS

1. Determine desired light/view direction from the customer. (See Figure D)
2. Rotate louver hooks so the slot between the long and the short prong is facing you.
3. Push louver into hook until it "snaps" into place.

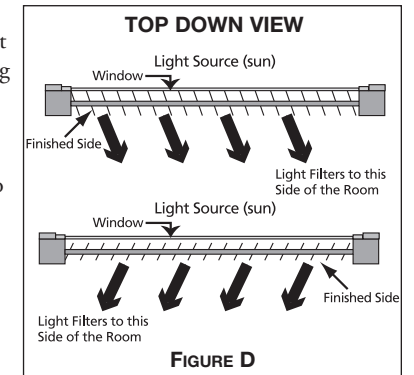


FIGURE D

If fabric free hanging vanes are slightly too long or too short, the adjustable fabric hanger can easily be altered to account for this.

### STANDARD HOLE



## REMOVING LOUVERS

1. Gently open louver hook by inserting a credit card size piece of rigid plastic between vane and the long prong of the louver hook. (See Figure E)
2. Gently remove louver.

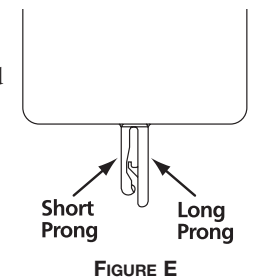


FIGURE E

## CROWNING IMPRESSIONS VALANCE INSTALLATION

1. Insert the front edge of the valance mounting bracket under the lip of the lower edge of the valance.
2. Using your thumb, press down and rotate the swivel lock mechanism. Ensure that the lower tab on the bracket slips under the lip of the upper valance trim edge.
3. Slide the top of the valance mounting bracket into the valance hanger opening.

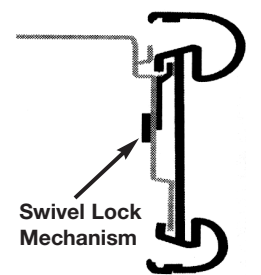


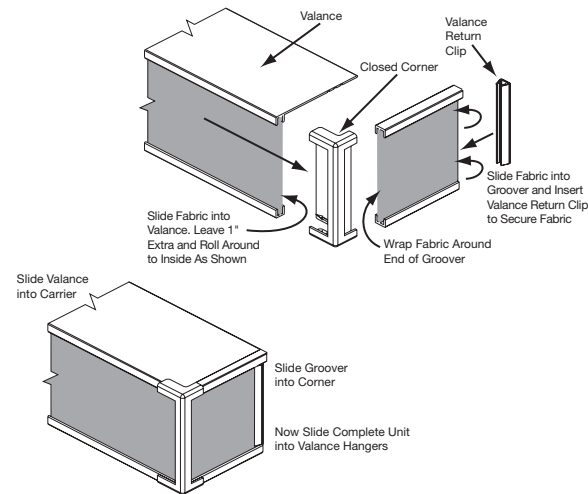
FIGURE J

## DUST COVER VALANCE ASSEMBLY

### CLOSED SQUARE CORNER

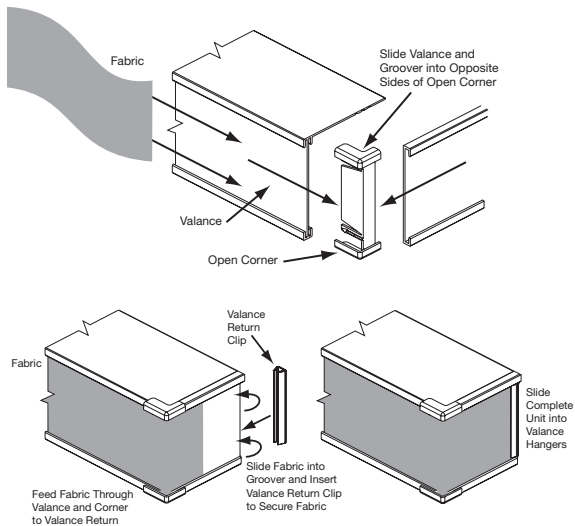
- Cut fabric insert 1" longer than valance at each end.
- Position fabric and wrap excess around ends.
- Hold fabric into place with closed corner.
- Cut fabric flush with end of return groove.
- Repeat on returns and insert a valance return clip.

**Note:** Cut PVC flush with end of return and secure with valance return clip. For fabric, wrap around back of return and secure with valance return clip.



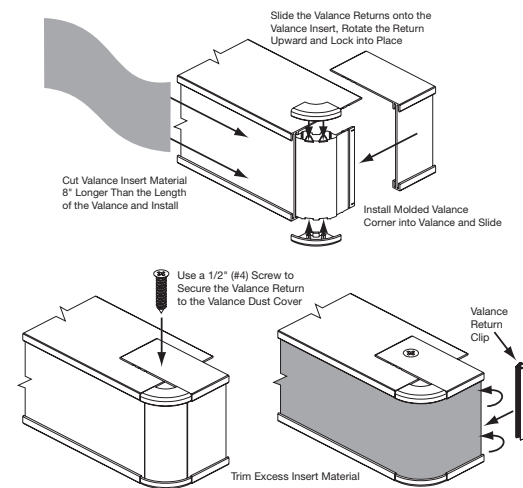
### OPEN SQUARE CORNER

- Cut fabric long enough to wrap around corner and cover the entire return plus at least 1" excess.
- Position open corner and valance returns.
- Position fabric, wrap over open corner and return.
- Trim excess fabric at wall end of valance return.



### ROUND CORNER

**Note:** Cut PVC flush with end of return and secure with valance return clip. For fabric, wrap around back of return and secure with valance return clip.



## DUST COVER VALANCE INSTALLATION

### A. CEILING MOUNT OPTION

1. Follow Inside Mount directions
2. Mark drill holes 3" from each end of valance and evenly space intermediate drill holes between the end holes at 30" intervals. Note: Inside surface of the valance has three parallel lines; align drill holes with center line.
3. Hold valance in position and drill through valance and into ceiling.
4. Insert screw through mounting clip and tighten valance against ceiling into finished mounting position. (See Figure F)
5. Center headrail underneath mounting clips.
6. Tilt headrail and insert into the front ledge of the mounting clips. Pull forward and roll headrail toward rear of blind and snap into place.

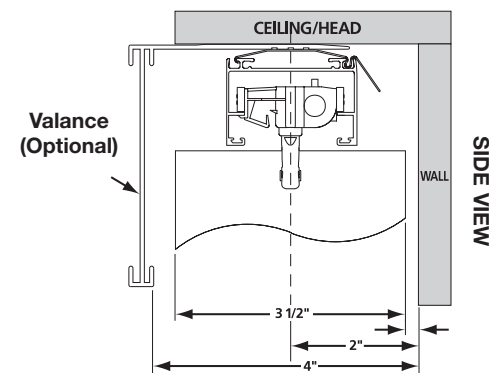


FIGURE F

### B. WALL MOUNT OPTION

1. Follow Outside Mount directions
2. Snap on a valance hanger next to each "L" bracket. (See Figure G)
3. Center valance in relation to the headrail and slide into valance hanger.

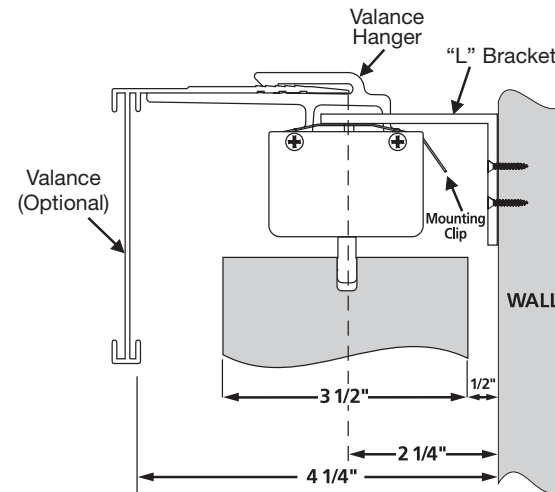
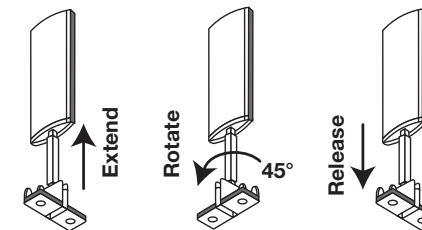


FIGURE G

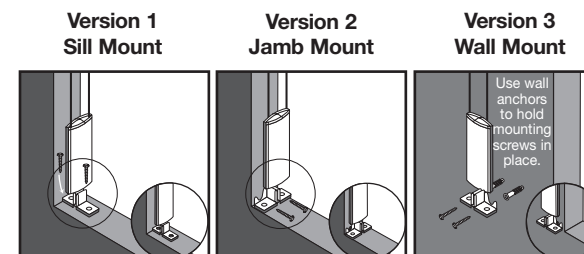
## CORD TENSIONER AND CORD LENGTH

### CORD TENSIONING

1. Establish preferred mounting location. If cord adjustment is required see instructions below.
2. Fully extend tensioning device, rotate post 45° and lock into extended position.



3. Locate mounting position.

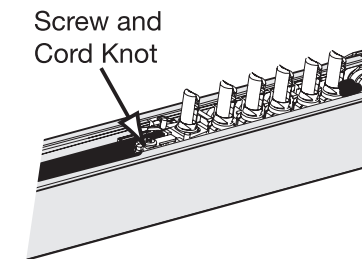


4. Hold cord taut with cord tensioning device in extended position and insert screws.
5. Rotate and release cord tensioning post.

### CORD ADJUSTMENT

#### To reduce cord length on Side Draw:

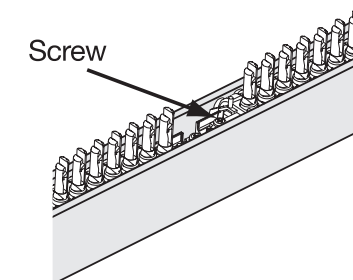
1. Place blind in open position.
2. Locate cord knot in front of lead carrier.
3. Loosen adjusting screw.
4. Pull cord to desired length.
5. Tie knot and then cut excess cord.
6. Tighten adjusting screw.



Side Draw Carriers in Open Position

#### To reduce cord length on Center Draw:

1. Place blind in closed position.
2. Locate cord ends in front of lead carrier.
3. Loosen adjusting screw.
4. Select cord knot that adjust cord length only; If carrier movement is observed select other cord. *Caution—cutting wrong cord will cause irreparable damage.*
5. Pull cord to desired length.
6. Tie knot and then cut excess cord.
7. Tighten adjusting screw.



Center Draw Carriers in Closed Position