

that position at the same level as the first mark. Be sure the two marks intersect.

- Place the “Start Point” arrow at the previously marked intersection.
- Measure and mark the placement of the top and bottom (or front and back) screws starting 2” in on each end.

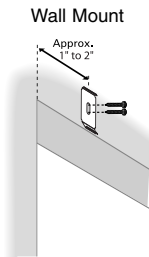


Diagram B

ALL BRACKETS MUST BE LEVEL AND ALIGNED OR THE SHADE WILL NOT FUNCTION PROPERLY.

- For wall mount shades, the tab of the clip-in bracket should be facing down.
- For inside/ceiling mount shades, the tab of the clip-in bracket should face towards the window.
- Install the clip-in bracket with the proper fasteners (screws).
- If additional clip-in brackets are required (for large or wide shades), space brackets evenly between the end brackets, adjusting for obstructions.

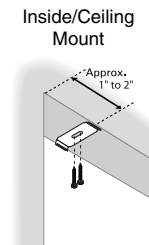


Diagram C

- For a wall mount shade: With the clip-in brackets mounted, take the shade, place the top groove of the profile into the lip of the clip-in bracket and snap into the tab (See diagram D). Check to make sure that all clip-in brackets are aligned correctly with the profile.

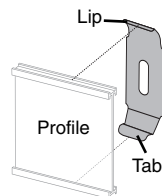


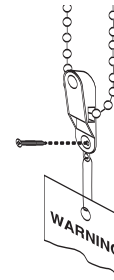
Diagram D

- For an inside/ceiling mount shade: With the clip-in brackets mounted, take the Cassette shade, place the front groove of the profile into the lip of the clip-in bracket and snap into the tab (See diagram D). Check to make sure that all clip-in brackets are aligned correctly with the profile.
- Test your shade for level. If the shade is not level, remove the profile from the brackets by pressing on the bracket tab (using a flat-end screwdriver if necessary). Place a shim under one or more of the brackets and remount the shade.

## CHILD SAFETY TENSIONER INSTALLATION

Warning for Parents: Children could accidentally strangle in the window covering cords. Keep the beaded cord out of reach for children with the Tension device. The Tension Device reduces the hazards of strangulation and entanglement of young children by limiting access to the control cord. Anchor the Tension Device bead chain, to the window frame or wall preventing children from wrapping the cord around their necks.

1. Lower the shade.
2. Hold the Tension Device upright so the Warning Tag hangs straight down.
3. Position the Tension Device on the window frame or the wall so that the Tension Device and the bead chain do not interfere with raising or lowering the shade or blind.
  - a. The bead chain must be taut, but still operable; do not allow for any slack.
  - b. Do not twist or cross the bead chain.
4. Holding the Tension Device upright, taugth, and in position, as shown, insert and secure the screw into the hole.



**Note:** The mounting screw must be secured on a solid surface.

## OPERATION AND CARE

### OPERATION

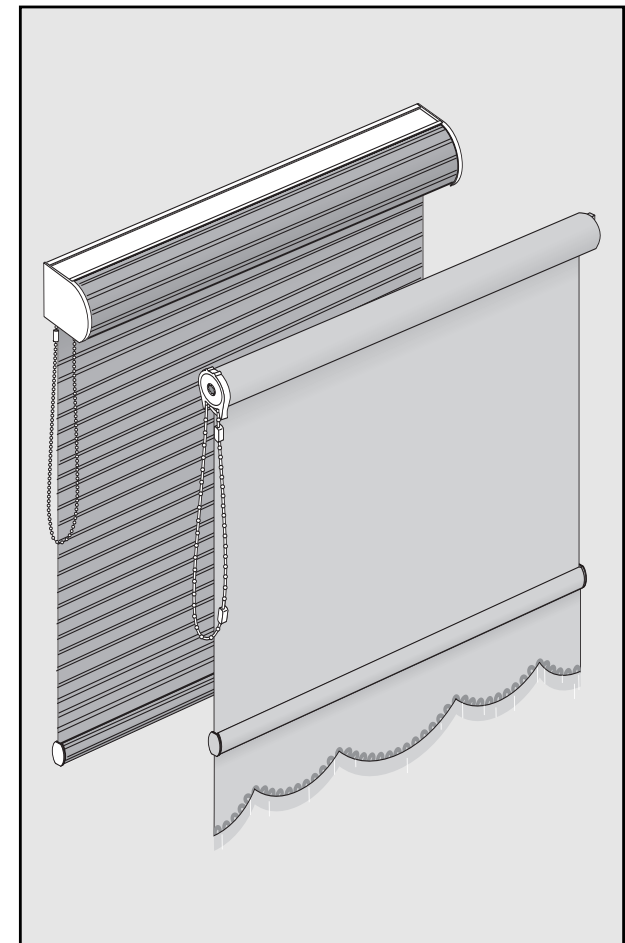
Pull on the beaded cord to raise or lower the shade. “Stops” on the cord set the upper and lower limits of shade travel. With the stop for the upper limit against the clutch, the bottom rod should be approximately even with the bottom of the clutch.

### CARE & CLEANING

- Shade fabrics are specially treated to repel dust and dirt.
- **Dusting.** Regular dusting maintains a like-new appearance.
- **Vacuuming.** For deeper cleaning, vacuum gently with brush attachment of any vacuum cleaner.
- **Spot-Cleaning.** Spot-clean shades with soft cloth or sponge moistened with lukewarm water. Add mild detergent if needed. Blot gently and dry shade in fully lowered position.

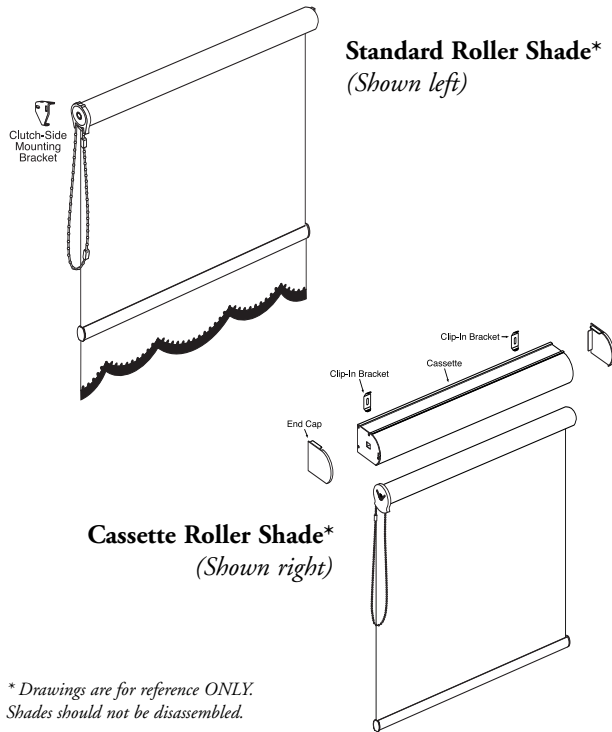
# ROLLER SHADES

# INSTALLATION INSTRUCTIONS



## GETTING STARTED

- Remove the shade from the package. Do not remove the shade from the mounting profile brackets. Keep the packaging until the shade operates to your satisfaction.
- Check the diagram to make sure you have the necessary parts.

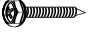




\* Drawings are for reference ONLY. Shades should not be disassembled.

Tools needed for installing our shade:

- Carpenter's Level
- Phillips Screwdriver
- Power Drill and Drill Bits
- Flat Blade Screwdriver
- Measuring Tape

In addition, you will need fasteners designed to work with your specific mounting surfaces:

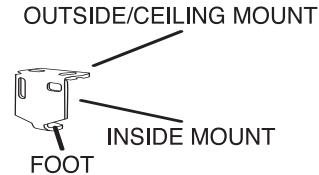
Mounting Surface	Fastener
Wood	No. 6 Hex Head Screws (Provided) 
Drywall, Plaster	Wall Anchors, Expansion Bolts (Not Provided) 
Metal	Sheet Metal Screws (Not Provided) 

Contents of your hardware package may vary depending upon how the shade was ordered and whether the shade will be mounted inside or outside the window opening.

## STANDARD SHADE INSTALLATION

The roller shade can be mounted inside or outside the window casement, or mounted to the ceiling. The part labeled "foot" holds the shade in place.

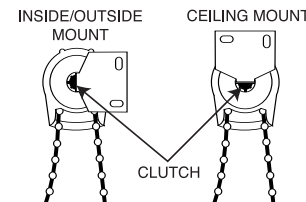
The installation brackets are always mounted so that the inner surfaces face each other. It is very important that the brackets are mounted so that the shade is level when installed.



The brackets are attached to the inside of the window casement for an inside mount, or to a wall or window frame for an outside mount. The brackets are attached to the ceiling for a ceiling mount.

### INSTALLATION BRACKETS

Place the foot of the control-side bracket into the slotted center hole of the clutch. If the shade is inside or outside mounted, the bracket should be mounted so that the foot is pointing away from the window. If the shade is ceiling mounted, the bracket should be mounted so that the foot is pointing down to the floor.



Hold the shade in the desired position at the window and mark the bracket location on the mounting surface. Remove the shade from the window and drill the bracket mounting holes. Use two screws (and anchors, if needed) to attach the mounting bracket to the mounting surface.

### INSTALL THE SHADE ASSEMBLY

Hold the shade with the bottom of the clutch facing the floor, and the beaded cord hanging straight down.

First, install the clutch end of the shade; once installed properly, install the rotator side.

**Important:** After installing the shade assembly, remove the paper banding to prevent shade from unrolling prematurely.

## SHADE ADJUSTMENT

Using the beaded cord, lower the window shade to the full drop. Raise the shade slowly and observe how the fabric winds on the roll. Level mounting is essential for proper operation.

If the fabric winds unevenly and begins to telescope to one side, check to ensure the shade is level. If the shade is not level, remove it from the installation brackets and shim or re-install the brackets, as necessary.

**Important:** If the shade was unrolled before being installed, it may not raise and lower to the right points. To correct this: 1) remove the shade from the mounting brackets; 2) roll up the shade until the bottom rod is even with the bottom of the clutch; 3) re-install the shade.

### STANDARD SHADE LENGTH ADJUSTMENT

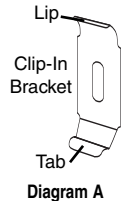
If your shade is slightly long or short for your window opening, the "drop" can be adjusted in the following manner:

1. Raise the shade completely (until the connector touches the back of the clutch).
2. Pry the second connector open with a small thin screwdriver. Do not let the blade slip!
3. Move connector two to four beads up for a shorter drop or two to four beads down for a longer drop. Maximum adjustment is 13/4" or four to five beads.

## CASSETTE SHADE INSTALLATION

CLIP-IN BRACKET CHART	
Up to 36" shade	2 brackets
36-1/8" to 60"	3 brackets
60-1/8" to 72"	4 brackets

• For Cassette shades, place the shade in the desired mounting position, and mark the top/back of the cassette or the mounting profile.



- Set the shade aside.
- Using the template, measure 1" to 2" in from the left and right edge of the window and mark

Continued on next page