

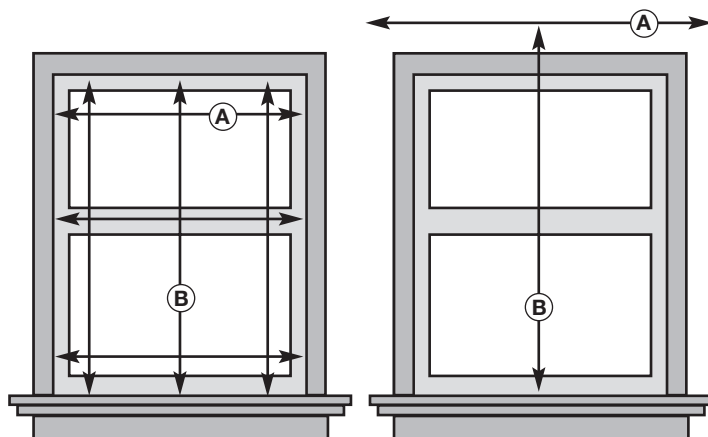
KENSINGTON PLEATED SHADES

MEASURING INSTRUCTIONS

Accurate measurements are essential, for both correct pricing and proper fit. Use only a hard-edged ruler or steel tape, never a cloth tape. For inside mounts, width measurements ① should be rounded **down** to the nearest 1/8" to prevent blind from binding against the window casing.

INSIDE MOUNT

Use a steel tape to measure the opening width ① at three different places, and use the narrowest dimension when ordering. Be exact! The factory will make the shade 3/8" narrower so it will not rub against the window casing. Measure the height ② of the window from the top (Soffit) down to the sill.



OUTSIDE OR CEILING MOUNT

Use a steel tape to measure the exact width ① and height ② of the area to be covered. It is recommended that the shades overlap the window by at least 1 1/2" on each side. When installation has no sill, allow the shade to overlap the bottom of the window casing by at least 1 1/2". Shade fabric will measure width indicated on the order form.

