

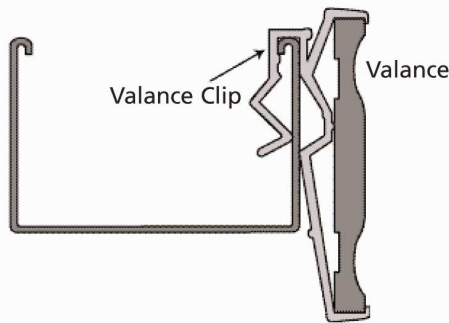
VALANCE ATTACHMENT

Your blinds will be shipped with either valance clips or Dual-Lock fasteners for attaching the valance.

IF USING VALANCE CLIPS:

Install one clip on each end and space any others evenly in between, no more than 48" apart. **Important:** Install the valance clips *before* mounting the headrail.

Then, after mounting the headrail, attach the valance. Simply snap the valance into the valance clips.

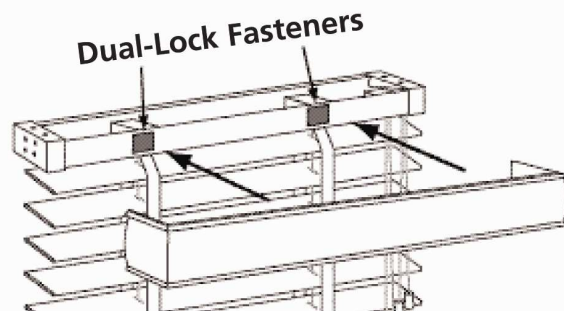


IF USING DUAL-LOCK FASTENERS:

One side of a Dual-Lock set is already installed on the headrail.

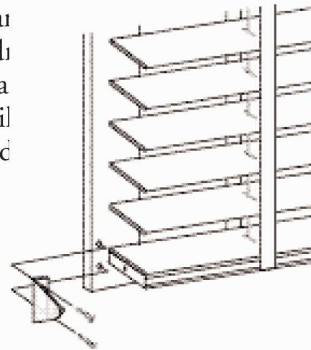
Peel the release liner off the remaining side of the Dual-Lock set and position the valance over the headrail. Press the valance firmly against the Dual-Lock and hold for 10 seconds.

If repositioning of the valance is necessary, wait 24 hours if possible. The Dual-lock adhesive reaches 90% bond strength after 1 hour and 100% after 24 hours.



HOLD DOWN BRACKETS

Made of molded clear plastic. Fits into predrilled hole in the bottom rail to secure the bottom rail in place. (Generally used on door shades.)



CARE AND CLEANING

DUSTING

Like all wood furnishings, wood blinds should be dusted regularly to keep them looking new. Use a soft, clean cloth, dusting mitt, or chemically treated dust cloth.

Lower the blind to its full length, tilt the slats almost all the way down and dust. Then tilt the slats almost all the way up and dust. (Not fully closing the slats allows dusting where the slats overlap.)

VACUUMING

Blinds may also be cleaned by vacuuming them with the brush attachment of a vacuum cleaner, tilting the blinds open and closed as just described.

DAMP CLEANING

Another way to clean blinds is simply by wiping them with a soft, damp rag.

TREATING STAINED BLINDS

Like wood furniture, stained blinds should be treated periodically, with lemon oil or other wood preservative to protect their finish and enhance their luster.

Important: Kensington does not recommend ultrasonic cleaning of wood blinds.

CHILD SAFETY

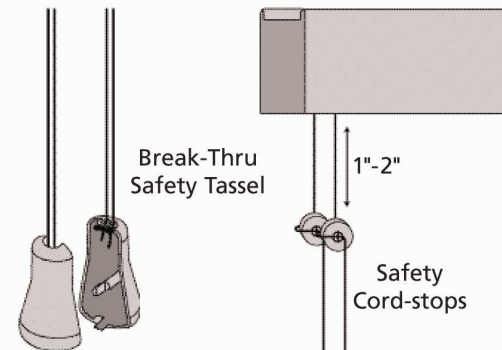
An important consideration in any blind installation is child safety. To prevent serious injuries or strangulations, all cords must be kept out of the reach of children. Cord-stops or other methods of keeping the cords from hanging within reach of a child should be utilized.

SAFETY TASSEL

To further help prevent injury, all Kensington blinds are available with optional patented Break-Thru® Safety Tassels. The Break-Thru Safety Tassel is designed to break apart to protect children and pets.

SAFETY CORD-STOPS

To reduce the chance of children forming a hazardous loop by pulling out the inner cords (lift cords) of wood blinds, all Kensington blinds include safety cord-stops. The cord-stops are knotted to each lift cord 1" to 2" below the headrail cordlock. Some blinds may come with a decorative tassel placed where you see the safety cord-stops. This serves the same purpose.

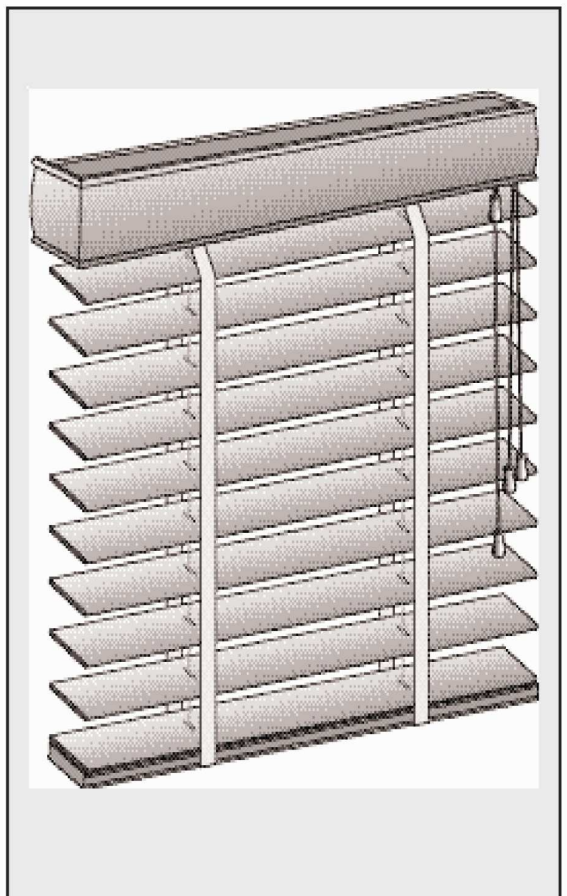


! WARNING:

Young children can become entangled and strangle in cords. Keep all cords out of the reach of children.

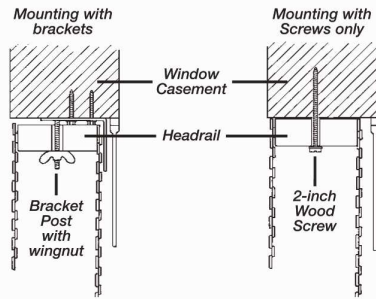
HORIZONTAL BLINDS

INSTALLATION INSTRUCTIONS



MOUNTING THE SHADE

— TWO MOUNTING OPTIONS —



INSIDE WINDOW INSTALLATION

Note: If installation brackets (included) are used for inside mount, refer to "Ceiling Installation". Otherwise, see below for mounting instructions.

- Shade is fabricated to fit inside the window casement.
- Hold headrail level against the top of the casement, lower the shade to make sure it is the correct height, and that shade clears any obstructions. (*Shimming may be required to level shade.*)
- While holding the headrail firmly against the casement, drill 1/16" pilot holes into the casement through the small round holes in the headrail. (*Do not drill pilot holes through the slots in the headrail.*)
- Use the 2-inch wood screws to attach the shade to the window casement. If shim is used to level headrail, make sure that it is in place before tightening screws.

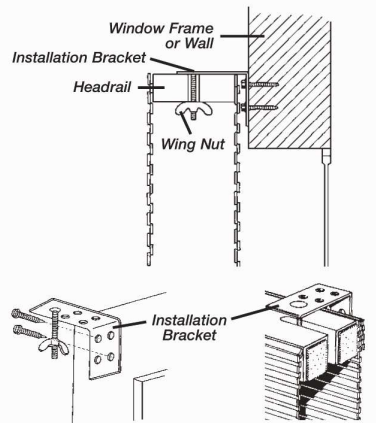


FIG. 5

FIG. 6

FRAME OR WALL INSTALLATION

- Shade is fabricated to overlap the window opening. The installation brackets are mounted to window frame or wall.
- Hold headrail **level**. Lower shade, check for correct length, and that shade clears any obstructions. (*Spacers or extension brackets may be required to clear any obstructions.*)
- While holding the headrail **level** against the window frame or wall, lightly mark on the mounting surface the positions of the headrail slots.
- Hold each installation bracket against the mounting surface and mark for two diagonal screw holes. (*Fig. 5.*) Position brackets to line up with **centers** of slots in headrail. Drill pilot holes and use appropriate fastener screws, wall anchors or toggle bolts to mount brackets.
- Push the headrail up onto the brackets so that the threaded posts on the brackets fit through the slots in the headrail. (*See Fig. 6.*)
- Secure the headrail to installation brackets by tightening wing nuts.

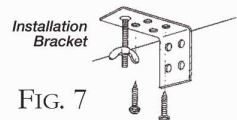
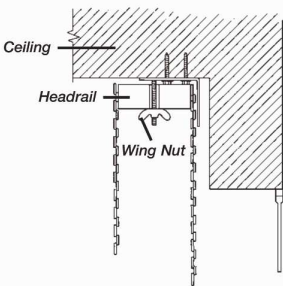


FIG. 7

CEILING INSTALLATION

- Shade is fabricated to overlap the window opening. The installation brackets are mounted to the ceiling.
- Hold headrail against the ceiling. Lower shade, check for correct length. Position shade so that it clears any obstructions.
- While holding the headrail against the ceiling, lightly mark on the ceiling surface the positions of the headrail slots.
- Hold each installation bracket against the ceiling and mark for two diagonal screw holes. (*Fig. 7.*) Position brackets to line up with **centers** of slots in headrail. Drill pilot holes and use appropriate fastener screws, wall anchors or toggle bolts to mount brackets.
- Push the headrail up onto the brackets so that the threaded posts on the brackets fit through the slots in the headrail. (*See Fig. 6.*)
- Secure the headrail to installation brackets by tightening wing nuts.

SHADE ADJUSTMENT

Your shade has been carefully inspected and adjusted to operate properly. Once installed however, minor adjustments may be necessary.

- The yarn in your Woven Wood shade is flexible enough to straighten to window opening by stretching the yarn. Pull down on the short side to eliminate unevenness and align the shade.
- If the shade is not flat when lowered, roll the shade tightly from the bottom and then twist the roll from the ends (one end clockwise and the other counter-clockwise) to align yarn and slats. (*Fig. 8*)

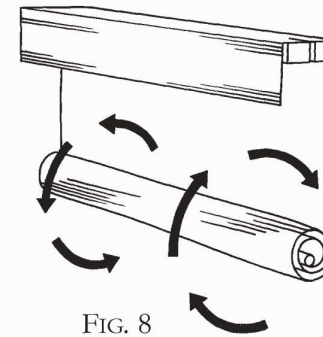


FIG. 8

- Should a strand of yarn slip out from the edge of the woven wood fabric, it may be removed with scissors (from top to bottom of shade) without affecting the strength of the shade.

TO OPERATE YOUR SHADE

Your shade is equipped with a locking mechanism that holds the shade at the desired height.

- To raise or lower the shade, pull and angle the lift cords toward the middle of the shade. (*Fig. 9*) A slight tug will release the cord lock allowing shade to be moved up or down.

- To lock the shade at the desired height, angle the lift cord outward to the side to engage the cord lock. (*Fig. 10*)
- If the shade should bind during raising or lowering, check the lift cords for proper alignment on the pulleys (under valance).

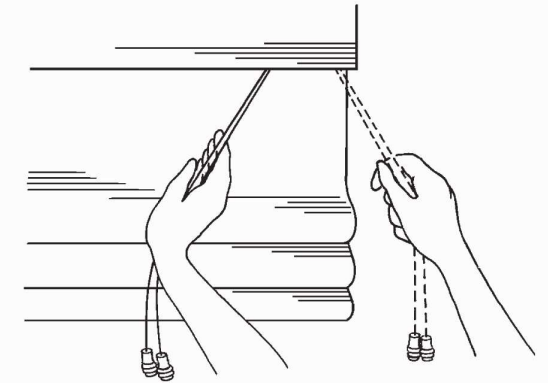


FIG. 9

FIG. 10

CARE AND CLEANING

Occasional dusting or vacuuming with a brush attachment is all that is necessary to keep your shade looking new.

CHILD SAFETY

To protect children and pets from becoming tangled in lift cords, use one of the following methods to keep the lift cords out of reach:

- Clamp on with pin
- Cleat
- Tie the cord to itself
- Tie-down device